

User Manual

Smart Humidifier Lite

Contents

Safety Instructions	01
General Safety	
Adapter and Power Cord	
Included in the Box	02
Introduction	03
Part Names	
Functions & Controls	
Indicator Status	
Night Light Status	
Getting Started	06
Filling & Refilling	06
Essential Oils (Optional)	08
Govee Home App	08
Downloading Govee Home App	
Pairing with Govee Home App	
Care & Maintenance	09
Cleaning Your Humidifier	
Descaling Your Smart Humidifier	
Storing	
Troubleshooting	12
For Humidifier	
For App & Connectivity	
Appendix	16
After-Sales Service	
Specifications	
Compliance Information	

READ AND SAVE THESE INSTRUCTIONS



Safety Instructions

- Only use the humidifier as described in this manual.
- This appliance can be used by children aged from 8 years and above and persons with reduced physical, sensory or mental capabilities or lack of experience and knowledge if they have been given supervision or instruction concerning use of the appliance in a safe way and understand the hazards involved. Children shall not play with the appliance. Cleaning and user maintenance shall not be made by children without supervision.
- If the supply cord is damaged, it must be replaced by the manufacturer, its service agent or similarly qualified persons in order to avoid any safety hazards.
- To reduce the risk of fire, electric shock, or other injuries, always follow all instructions and safety guidelines.
- Place the humidifier and cord so that it will not be knocked over. Do not place near large pieces of furniture or in high-traffic areas.
- Do not attempt to disassemble the humidifier or its components.
- To avoid the risk of electric shock, always unplug the humidifier from power before cleaning it or detaching the water tank from the base.
- Do not place the humidifier near heat sources such as stovetops, ovens, or radiators.
- Do not place the humidifier directly on carpets or rugs.
- Do not use non-Govee humidifier parts as replacement parts for this product.
- Do not cover the nozzle while the humidifier is on, as this may damage the humidifier.
- Remove the water tank from the base before moving the humidifier.
- Do not immerse the humidifier base, power cord or plug in water.
- Do not add anything other than clean water and essential oils into the water tank.
- Not for commercial use. Household use only.
- Do not use the humidifier in wet environments. Do not allow water or other liquids inside the air vent.
- If the humidifier will not be in use for an extended period of time, it should be turned off and unplugged from power.
- Do not use detergents to clean the humidifier. Only use distilled white vinegar.
- If the humidifier is damaged or is not functioning properly, stop using it and contact Customer Support immediately.
- Be aware that high humidity levels may encourage the growth of biological organisms in the environment.

- Do not permit the area around the humidifier to become damp or wet. If dampness occurs, turn the output of the humidifier down. If the humidifier output volume cannot be turned down, use the humidifier intermittently. Do not allow absorbent materials, such as carpeting, curtains, drapes, or tablecloths, to become damp.
- Unplug the appliance during filling and cleaning.
- Never leave water in the reservoir when the appliance is not in use.
- Empty and clean the humidifier before storage. Clean the humidifier before next use.

Warning:

Micro-organisms that may be present in the water or in the environment where the appliance is used or stored, can grow in the water reservoir and be blown in the air, causing very serious health risks when the water is not renewed and the tank is not cleaned properly every 3 days.

Adapter and Power Cord

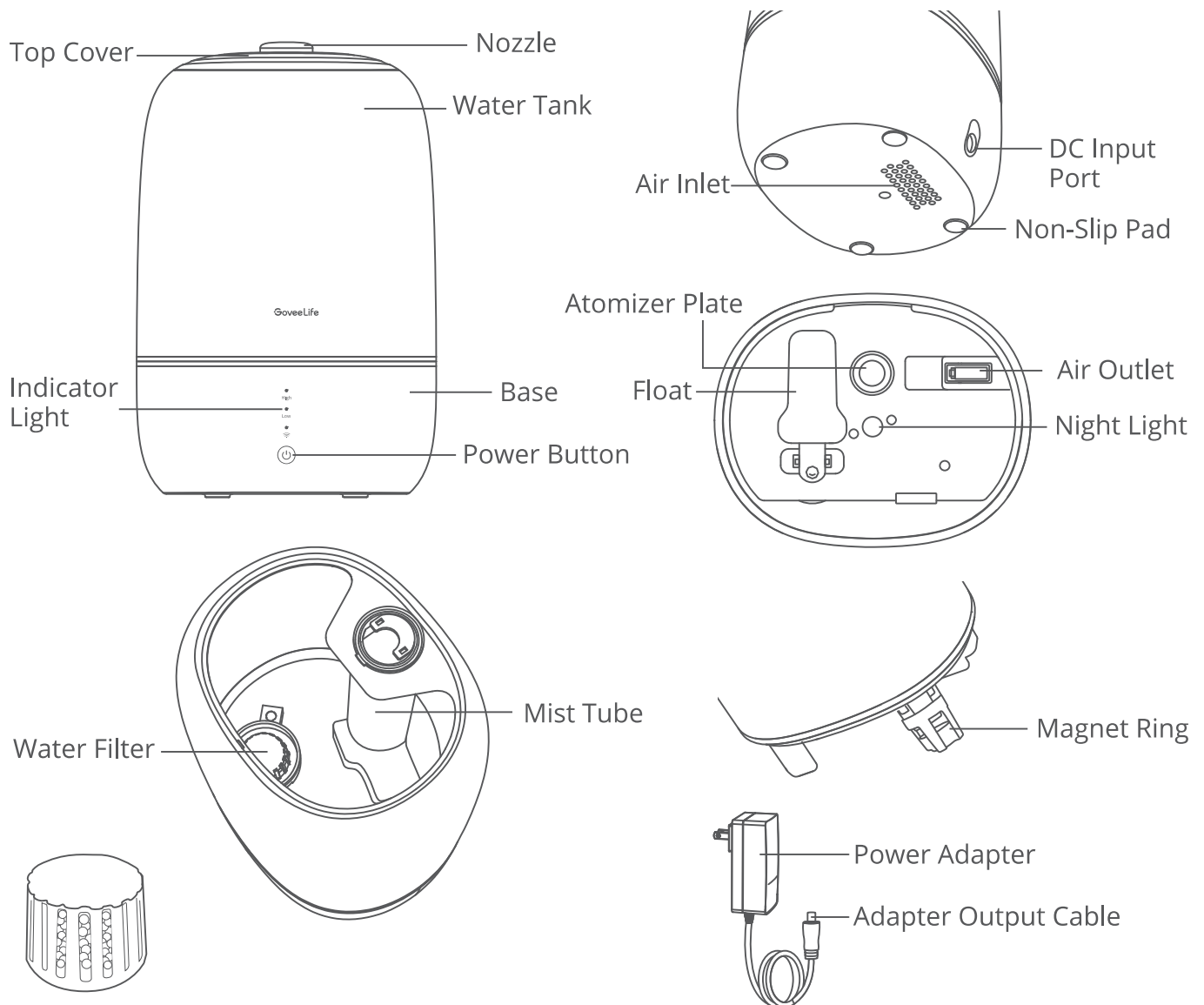
- **For US:** This appliance has a polarized plug (one blade is wider than the other). To reduce the risk of electric shock, this plug is intended to fit in a polarized outlet only one way. If the plug does not fit fully in the outlet, reverse the plug. If it still does not fit, contact a qualified electrician. Do not attempt to defeat this safety feature.
- Place the humidifier near the electrical outlet it is plugged into.
- Never place the cord near any heat sources.
- Do not cover the cord with a rug, carpet, or other covering. Do not place the cord under furniture or appliances.
- Keep the cord out of areas where people frequently move around. Place the cord in places where it will not be tripped over.
- Only use original supplied power adapter.
- If the power adapter cord is damaged, it must be replaced by qualified persons in order to avoid an electric or fire hazard.
- Do not handle the power cord or plug with wet hands. Keep the power cord and plug away from liquids.

Included in the Box

Item	Quantity
Humidifier	1
Cleaning Brush	1
Quick Start Guide	1
User Manual	1

Introduction

Part Names



Note: Water Filter for UK/EU Version

Functions & Controls

You can access additional features using Govee Home App.





On/Off Button

1. Touch to turn on/off.

Note:

- When the humidifier is powered off, its fan will continue spinning for 15 seconds to clear away any internal mist to avoid water vapor accumulation that may affect the life of the humidifier.
- Follow the in-app instructions to press the power button when pairing with the app.

2. Mist Level Adjustment

- Touch repeatedly to cycle through the following mist settings: Low and High mist levels, Custom Mode and Off.
- If the humidifier has connected with the Govee thermo-hygrometer, touch repeatedly to cycle through the following mist settings: Low and High mist levels, Auto Mode and Off.
- **Auto Mode:** In this mode, the humidifier will automatically adjust the mist output so that the ambient humidity can stay close to the target value.

Note:

1. In Auto Mode, the humidifier will start misting when the humidity is lower than the target value. When the Auto Stop switch is enabled in the app and the target humidity value is reached, the humidifier will stop misting.
2. More Auto Mode settings can be accessed in the app.
3. It is recommended to use the humidifier together with Govee Thermo-Hygrometer to bring you a better experience of constant humidity.

3. Night Light On/Off

When powered on, press the power button for 2 seconds to turn the night light on/off.

4. Recovery Function


Press the power button for 10 seconds until the indicator on the display screen flashes once to clear all default settings and restore to factory settings. At the same time, clear the cleaning reminders and disconnect from Bluetooth and Wi-Fi.

Note: After restoring the humidifier to factory settings, go to "My Devices" page on the app to delete this humidifier first, otherwise it cannot be added to the app again.

Memory Function

The humidifier will save its previous settings when powered off (such as mist level, mode, and Wi-Fi connection). When it is powered back on, the settings will resume.

Indicator Status

Indicator	Working Status	Light Status
<ul style="list-style-type: none"> • High 	High Mist Level is On	Solid White
<ul style="list-style-type: none"> • Low 	Low Mist Level is On	Solid White
<ul style="list-style-type: none"> • High • Low 	Custom Mode/Auto Mode is On <ul style="list-style-type: none"> • Note: If the humidifier has connected with the Govee thermo-hygrometer, the Auto Mode will be turned on. 	Solid White (Both)
	Ready for Wi-Fi Connection	Slowly Flashes White
	Wi-Fi is Connecting	Quickly Flashes White
	Wi-Fi is Connected	Solid White

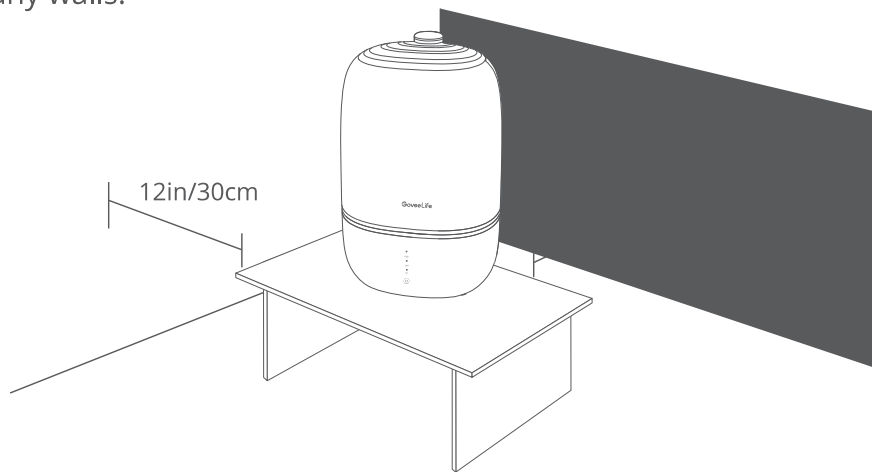
Night Light Status

Waterless Alert	If the device is running out of water during operation, it will stop misting. The night light will flash red three times and resume the previous working status. Note: The night light function is still available when the device is running out of water.
	When the device is on standby, the night light will flash red three times after you click the power button, and the device cannot be turned on.
Water Tank Misplaced Alert	If the water tank is taken away during operation, the humidifier will stop misting and the night light will stop working. If the water tank is put in place within three minutes, the humidifier and the night light will resume the previous working status automatically.
	When the device is on standby, the night light will flash red three times after you click the power button, and the device cannot be turned on.

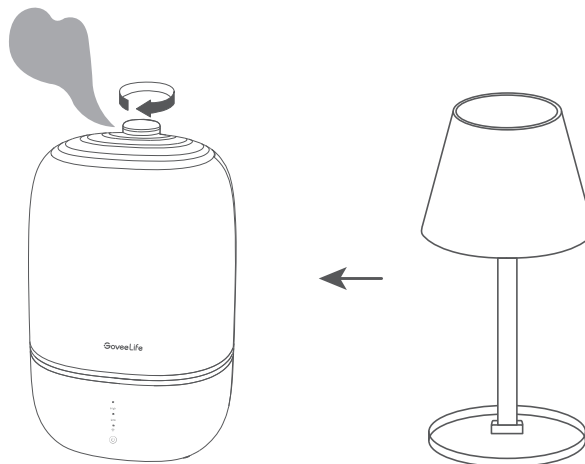
Note: Find solutions for feature exceptions in the Troubleshooting section.

Getting Started

1. Remove all packaging, clear tape, and protective foam.
2. Clean the water tank before using the humidifier for the first time.
3. Place the humidifier on a hard, flat, and water-resistant surface and at least 12 inches (30cm) away from any walls.



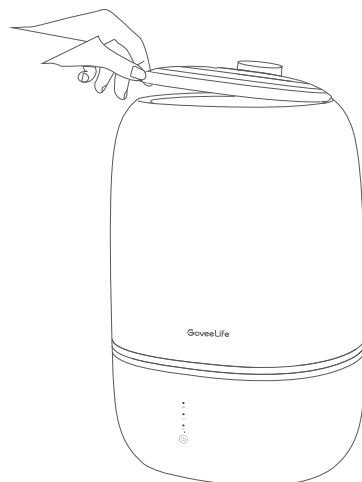
4. Direct the mist away from walls, furniture, bedding, other appliances, and electronics.



Filling & Refilling

Note: Please change the water at least once every two days to avoid breeding bacteria.

1. Hold the nozzle and pull upwards to take down the water tank cover.



2. Fill the tank with room-temperature water, not warm or hot water.

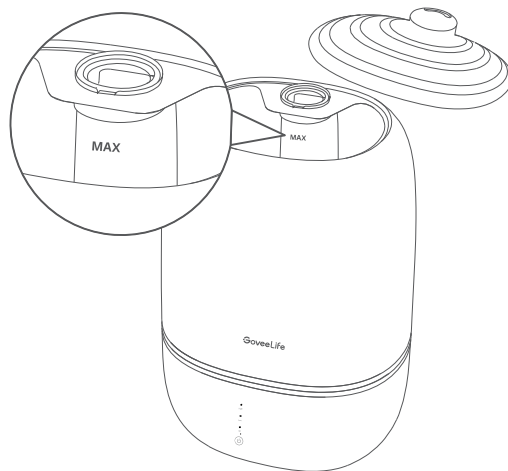
Note: It is recommended to fill the tank with purified or distilled water instead of tap water, which may result in white dust (dried minerals) on surfaces.



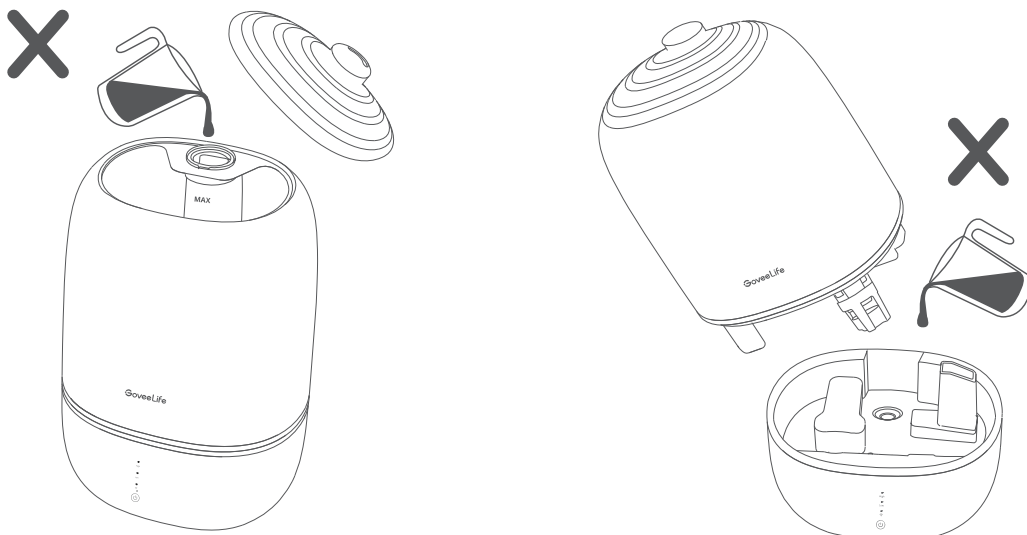
3. Replace the water tank cover.

Caution

Do not fill past the tank's max water line.

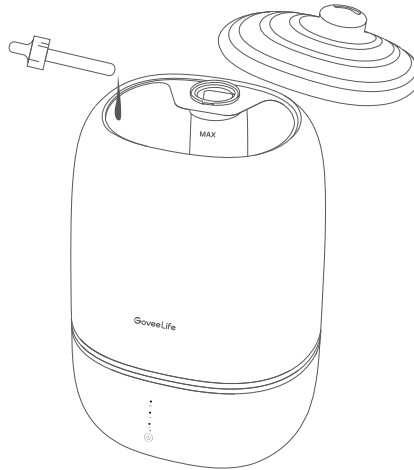


Do not fill water into the mist tube or base.



Essential Oils (Optional)

Add 8-10 drops of essential oils into the water tank.



Note:

- For a better aromatherapy effect, clear the leftover essential oils before adding new ones.
- Do not mix up essential oils during use.

Govee Home App

You can access more features using Govee Home App.

Downloading Govee Home App

To download Govee Home App, scan the QR code or search for “Govee” in the Apple App Store® (iOS) or Google Play Store (Android).



Govee Home App



Note:

- Choose “Allow” to the permissions requested when opening Govee Home App for the first time. These permissions allow the app’s features to function normally and are not used to record personal, private information.
- Due to ongoing updates, Govee Home App may be slightly different than shown in this manual. In case of any differences, always follow the in-app instructions.

Pairing with Govee Home App

1. Turn on your smartphone's Bluetooth. Connect to your Wi-Fi router's 2.4GHz network. 5GHz is not supported.
2. Android users turn on Location Services; IOS users choose Location ->Always On in the pop-up window while adding devices.

Note:

- For IOS users, if you chose Location->Never, it might result in notifications/alert exceptions.
 - It is recommended to follow Settings ->Govee Home ->Location ->Always On to obtain the best experience.
 - Govee Home WILL NOT collect, use, or share your location in any way.
3. Open Govee Home App, tap the"+" icon in the top right corner and search for "H7140."
 4. Tap the device icon and follow the in-app instructions to complete the Bluetooth and Wi-Fi connection.

Note:

- Method to turn off Bluetooth and Wi-Fi connection: Press and hold the Power Button for 10s to restore the device to factory settings, then go to "My Devices" page on the app to delete this dehumidifier first, otherwise it cannot be added to the app again.
- You can use Govee Home App to connect your dehumidifier to Amazon Alexa or Google Assistant. Follow the in-app instructions to connect to each voice assistant.
- Govee Home App is being continually updated and its features do expand.

Care & Maintenance

Note:

- All maintenance should be done on a water-resistant surface, such as a kitchen counter.
- Use a tissue or cloth to clean the nozzles regularly.
- If not using the humidifier for 1 week or longer, do not leave water inside. Clean and dry the humidifier instead.

Water Filter:

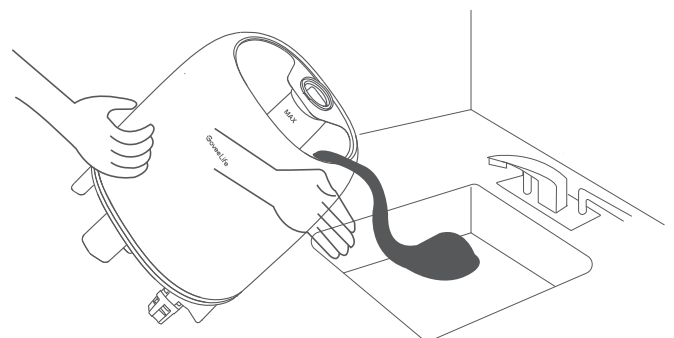
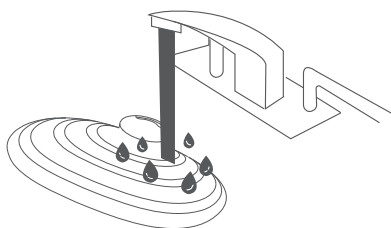
- For UK/EU Version: It is recommended to change the water filter every two months.

Cleaning Your Humidifier

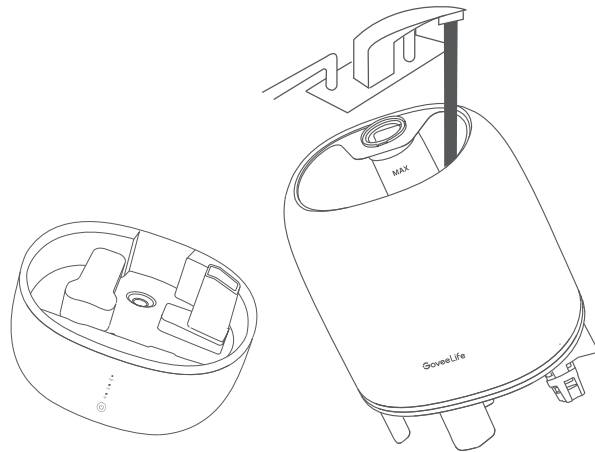
It is recommended to clean the water tank and base every 2-3 days or when you're ready to store it.

Note:

- Never immerse the base in water or other liquids.
 - Do not place any part of the humidifier in a dishwasher.
 - Do not use detergents to clean the humidifier.
1. Unplug the humidifier from power before cleaning.
 2. Take down the water tank cover and wash it.
 3. Take out the water tank and pour away the water left inside.



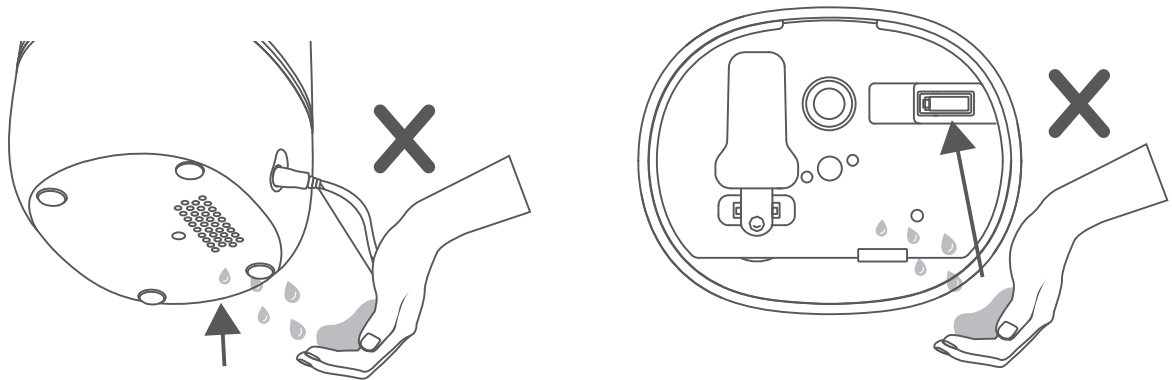
4. Rinse the tank and the base chamber with room temperature water.



5. Dry all parts with a cloth. Make sure every part is in place before use or storing.

Caution

Do not let water enter the air inlet or outlet as this may damage internal components. If water does enter the inlet or outlet by accident, place the base in a ventilated place to dry it before using.



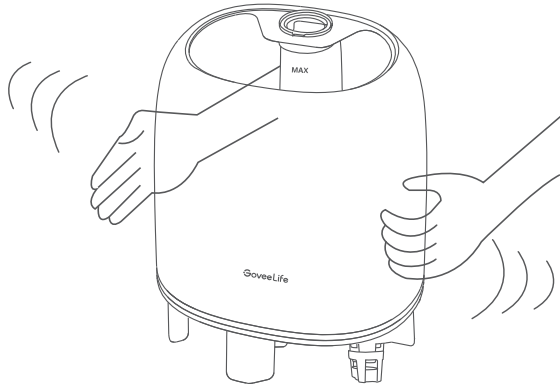
Descaling Your Smart Humidifier

To descale the humidifier (remove mineral buildup):

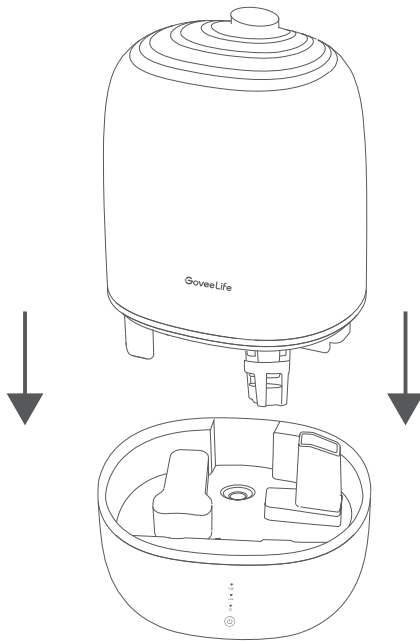
1. Fill the tank with 1.5 cups / 355 ml of distilled white vinegar.



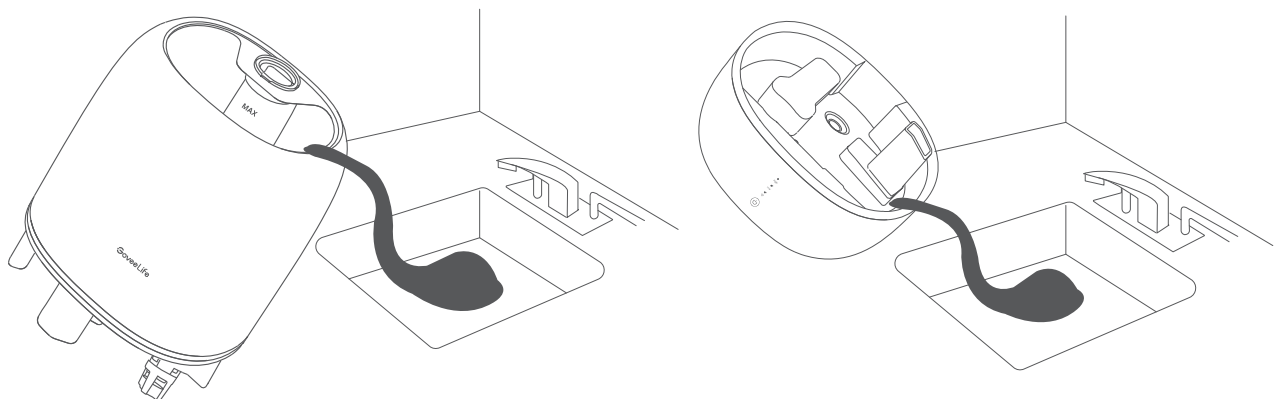
2. Put the tank cover on and swirl the vinegar around the tank.



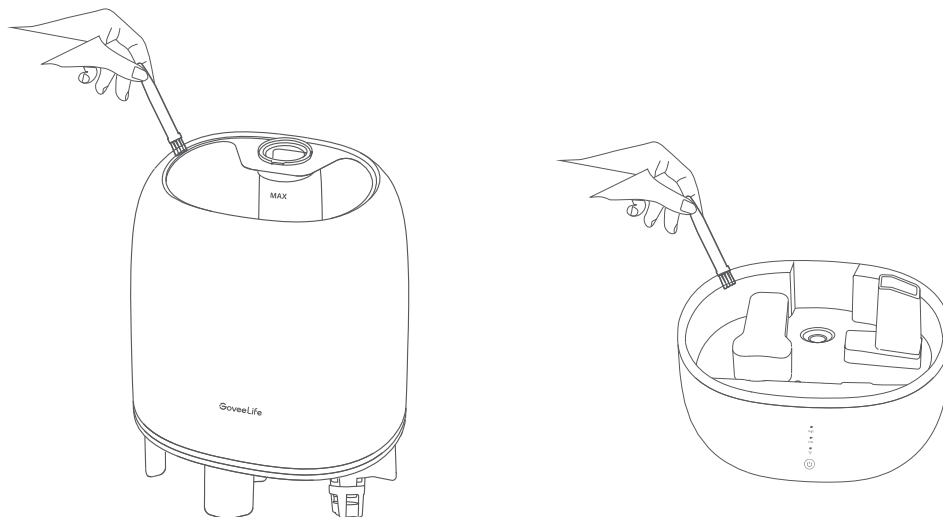
3. Place the tank on the base and let it sit for 15-20 minutes until the vinegar loosens the scale deposits.



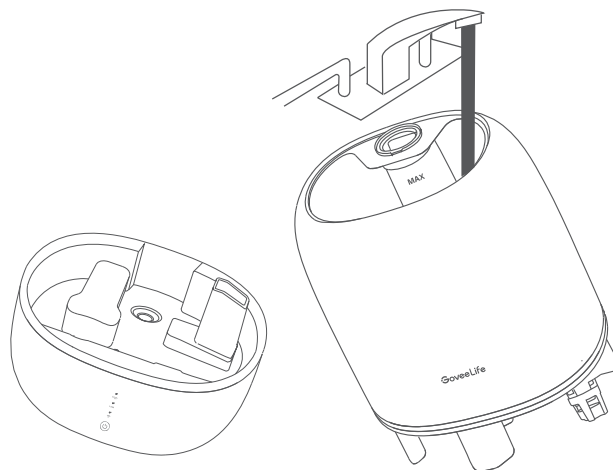
4. Remove the tank and its cover, and pour all the vinegar out.



5. Use a soft cloth and the included cleaning brush to remove scale from all parts.



6. Rinse all parts until the vinegar smell is completely gone.



7. Dry all parts with a cloth completely before reassembling or storing the humidifier

Storing

Follow the cleaning instructions and dry all parts completely before storing the humidifier in a cool, dry place.

Troubleshooting

The troubleshooting section below is for solving frequently asked questions for the humidifier unit. If your problem persists, please contact Customer Support.

Problem	Possible Solution
Humidifier does not power on/off normally.	Plug the humidifier into a working outlet and turn it on.
	Add purified or distilled water to the water tank.
Little or no mist comes out.	Clean the atomizer plate to avoid white dust from accumulating on it.
	Fill up the water tank.
	Choose a higher mist level.
	There may be too much water in the base chamber. Empty the base chamber, refill the water tank (not the base chamber), and place the water tank properly onto the base.
	Clean the humidifier. Make sure the nozzles are not blocked or clogged.
	Make sure the humidifier is on a level surface.
	If the water tank or base was washed with detergent, rinse thoroughly with clean water to remove any detergent.
Humidifier produces an unusual smell.	If you have added essential oils into the water tank before, pour the leftover water out and wash the tank and base. After that, add purified water into the tank.
	If the humidifier is new, unplug and rinse all parts, then place in a cool dry place for 12 hours.
Humidifier makes a loud or unusual noise.	Make sure the water tank is properly in place.
	Set the mist level to a lower setting.
	Empty the base chamber. Refill the water tank (not the base chamber) and place the water tank properly onto the base.
	The humidifier may be malfunctioning. Stop using the humidifier and contact Customer Support.
White dust appears around the humidifier.	It is recommended to use purified or distilled water to fill the humidifier. Avoid using water with high mineral content, such as tap water.
	Clean the humidifier.

Problem	Possible Solution
Mist leaks from the base.	Make sure the water tank is placed properly.
Water leaks from the humidifier.	Do not shake the humidifier.
	Make sure to place the humidifier on a flat, level surface.
	Check the water tank for leaks. If there are leaks, contact Govee Customer Support.
Mold grows inside the humidifier.	Clean the water tank and base chamber regularly.
Essential oil has little or no smell.	Add more essential oil. For best results, use pure essential oil.
The humidity level isn't changing in my room.	Choose a higher mist level.
	Depending on your environment, the humidifier may take longer to humidify your air.
	The room may be larger than the humidifier's effective range. If the room is larger than 290ft ² /27m ² , the humidifier will not be as effective.
The night light cannot be turned on or adjusted via the app.	Check whether the app is connected to the humidifier.
	If the night light still cannot be operated when the app and the humidifier are connected, please contact GoveeCustomer Support.

For App & Connectivity

1. Cannot connect to Govee Home App.

- Make sure your smartphone is powered on and is not connected with other Bluetooth devices.
- Enable the smartphone's Location Services.
- Try connecting with another smartphone.
- Make sure your app is updated to the latest version.
- Make sure you connect to your Wi-Fi router's 2.4GHz network and that the network is working correctly.
- Make sure the Wi-Fi password you entered is correct.
- Shorten the distance between the humidifier, Wi-Fi router, and the smartphone.
- Make sure your humidifier and the Wi-Fi router are located away from appliances that produce electro magnetic radiation (e.g. microwave ovens, refrigerators, etc.)
- If you are using a VPN, try turning it off and then connecting the humidifier.
- Disable portal authentication for your Wi-Fi network. If portal authentication is enabled, this humidifier will not be able to access your Wi-Fi network and setup will fail. Portal authentication means that you need to sign in to your Wi-Fi network through a web page before you can use the Internet.

2. Cannot find the device on Bluetooth Device Nearby page of the app.

- The humidifier may be connected with another smartphone. Disconnect it from the other smartphone first.

3. The humidifier is offline.

- Make sure the humidifier is plugged in and powered on, then refresh "My Devices" in Govee Home App by swiping down on the screen.
- Make sure your router is connected to the internet and your smartphone's network connection is working. If the Wi-Fi password has been changed, the humidifier will automatically go offline. Try connecting it to the network again.

Delete the offline humidifier from Govee Home App, then add and reconfigure the humidifier again in the app.

Appendix

After-Sales Service

 Warranty: 12-Month Limited Warranty

 Support: Lifetime Technical Support

 Email: support@govee.com

 Official Website: www.govee.com

 @Govee  @govee_official  @govee.official

 @Goveeofficial  @Govee.smarthome

Specifications

Power Supply	100-240V AC 50/60Hz
Rated Power	19W
Water Tank Capacity	0.67gal/3L
Mist Output	Max Cool Mist:200ml/h
Effective Range	107-290ft ² /10-27m ² Note: <ul style="list-style-type: none">• Effective for larger rooms, but humidification will take longer.
Noise Level	≤30dB
Humidifier Dimensions	7.6 x 6.1 x 11.7 in / 19.4 x 15.5 x 29.7 cm
Humidifier Weight	3.52lb / 1.6kg

Compliance Information

EU Compliance Statement:

Shenzhen Qianyan Technology LTD hereby declares that this device is in compliance with the essential requirements and other relevant provisions of the Directive 2014/53/EU. A copy of the EU Declaration of Conformity is available online at www.govee.com/

EU contact address:

EC REP SUNRISE MOMENTS LIMITED (E-mail: info@sunrisemoments.com)
1st Floor Newmarket House, Newmarket Square, The Coombe, Dublin 8, DUBLIN, Ireland,
D08VAP9

EU-Compliance:

Shenzhen Qianyan Technology LTD dass dieses Gerät den wesentlichen Anforderungen und anderen einschlägigen Bestimmungen der EU-Richtlinie 2014/53/EU entspricht.
Eine Kopie der EU-Konformitätserklärung finden Sie online auf www.govee.com/

Kontaktadresse innerhalb der EU:

EC REP SUNRISE MOMENTS LIMITED (E-mail: info@sunrisemoments.com)
1st Floor Newmarket House, Newmarket Square, The Coombe, Dublin 8, DUBLIN, Ireland,
D08VAP9

Déclaration de conformité UE:

Shenzhen Qianyan Technology LTD déclare que cet appareil est conforme aux principales exigences et autres clauses pertinentes de la directive européenne 2014/53/EU.
Une copie de la déclaration de conformité UE est disponible sur le site www.govee.com/

Adresse de contact pour l'UE :

EC REP SUNRISE MOMENTS LIMITED (E-mail: info@sunrisemoments.com)
1st Floor Newmarket House, Newmarket Square, The Coombe, Dublin 8, DUBLIN, Ireland,
D08VAP9

Declaración de cumplimiento UE:

Shenzhen Qianyan Technology LTD por la presente declara que este dispositivo cumple los requisitos básicos y el resto de provisiones relevantes de la Directiva 2014/53/EU.
Hay disponible online una copia de la Declaración de conformidad UE en www.govee.com/

Dirección de contacto de la UE:

EC REP SUNRISE MOMENTS LIMITED (E-mail: info@sunrisemoments.com) 1st Floor Newmarket House, Newmarket Square, The Coombe, Dublin 8, DUBLIN, Ireland, D08VAP9

Dichiarazione di conformità UE:

Shenzhen Qianyan Technology LTD dichiara che il presente dispositivo è conforme ai requisiti essenziali e alle altre disposizioni rilevanti della direttiva 2014/53/EU.

Una copia della dichiarazione di conformità UE è disponibile online all'indirizzo Web www.gov-ee.com/

Indirizzo di contatto UE:

EC REP SUNRISE MOMENTS LIMITED (E-mail: info@sunrisemoments.com)

1st Floor Newmarket House, Newmarket Square, The Coombe, Dublin 8, DUBLIN, Ireland, D08VAP9

UK Compliance Statement:

Shenzhen Qianyan Technology LTD hereby declares that this device is in compliance with the essential requirements and other relevant provisions of the Radio Equipment Regulations 2017. A copy of the UK Declaration of Conformity is available online at www.gov-ee.com/

	Bluetooth®	Wi-Fi
Frequency	2.4GHz	2.4GHz
Maximum Power	<10dBm	<20dBm



Environmentally friendly disposal

Old electrical appliances must not be disposed of together with the residual waste, but have to be disposed of separately. The disposal at the communal collecting point via private persons is for free. The owner of old appliances is responsible to bring the appliances to these collecting points or to similar collection points. With this little personal effort, you contribute to recycle valuable raw materials and the treatment of toxic substances.

Umweltfreundliche Entsorgung

Elektro-Altgeräte dürfen nicht mit gewöhnlichem Abfall entsorgt werden und müssen separat entsorgt werden. Die Entsorgung an kommunalen Sammelstellen ist für Privatpersonen kostenlos. Die Eigentümer der Altgeräte sind für den Transport zu den Sammelstellen verantwortlich. Durch diesen geringen Aufwand können Sie zur Wiederverwertung von wertvollen Rohmaterialien beitragen und dafür sorgen, dass umweltschädliche und giftige Substanzen ordnungsgemäß unschädlich gemacht werden.

Mise au rebut écologique

Les appareils électriques usagés ne doivent pas être éliminés avec les déchets résiduels. Ils doivent être éliminés séparément. La mise au rebut au point de collecte municipal par l'intermédiaire de particuliers est gratuite. Il incombe au propriétaire des appareils usagés de les apporter à ces points de collecte ou à des points de collecte similaires. Avec ce petit effort personnel, vous contribuez au recyclage de matières premières précieuses et au traitement des substances toxiques.

Tratamiento de residuos responsable con el medio ambiente

Los aparatos eléctricos viejos no pueden desecharse junto con los residuos orgánicos, sino que deben ser desechados por separado. Existen puntos limpios donde los ciudadanos pueden dejar estos aparatos gratis. El propietario de los aparatos viejos es responsable de llevarlos a estos puntos limpios o similares puntos de recogida. Con este pequeño esfuerzo estás contribuyendo a reciclar valiosas materias primas y al tratamiento de residuos tóxicos.

Smaltimento ecologico

I vecchi dispositivi elettrici non devono essere smaltiti insieme ai rifiuti residui, ma devono essere smaltiti separatamente. Lo smaltimento da parte di soggetti privati presso i punti di raccolta pubblici è gratis. È responsabilità del proprietario dei vecchi dispositivi portarli presso tali punti di raccolta o punti di raccolta analoghi. Grazie a questo piccolo impegno personale contribuirete al riciclo di materie prime preziose e al corretto trattamento di sostanze tossiche.

FCC and ISED Canada Statement

This device complies with Part 15 of the FCC Rules and Industry Canada licence-exempt RSS standard(s). Operation is subject to the following two conditions:

(1) This device may not cause harmful interference, and (2) This device must accept any interference received, including interference that may cause undesired operation.

Warning: Changes or modifications not expressly approved by the party responsible for compliance could void the user's authority to operate the equipment.

Le présent appareil est conforme aux CNR d'Industrie Canada applicables aux appareils radio exempts de licence. Brouillage est susceptible d'en compromettre le fonctionnement.

L'exploitation est autorisée aux deux conditions suivantes :

(1) l'appareil ne doit pas produire de brouillage, et

(2) l'utilisateur de l'appareil doit accepter tout brouillage radioélectrique subi, même si le

NOTE: This equipment has been tested and found to comply with the limits for a Class B digital device, pursuant to Part 15 of the FCC Rules.

These limits are designed to provide reasonable protection against harmful interference in a residential installation. This equipment generates uses and can radiate radio frequency energy and, if not installed and used in accordance with the instructions, may cause harmful interference to radio communications. However, there is no guarantee that interference will not occur in a particular installation. If this equipment does cause harmful interference to radio or television reception, which can be determined by turning the equipment off and on, the user is encouraged to try to correct the interference by one or more of the following measures:

1. Reorient or relocate the receiving antenna.
2. Increase the separation between the equipment and receiver.
3. Connect the equipment into an outlet on a circuit different from that to which the receiver is connected.
4. Consult the dealer or an experienced radio/TV technician for help.

FCC and IC Radiation Exposure Statement

This equipment complies with FCC and IC radiation exposure limits set forth for an uncontrolled environment. This equipment should be installed and operated with minimum distance 20cm between the radiator & your body.

Lors de l'utilisation du produit, maintenez une distance de 20 cm du corps afin de vous conformer aux exigences en matière d'exposition RF.

This Class B digital apparatus complies with Canadian ICES-001.

Cet appareil numérique de la classe B est conforme à la norme NMB-001 du Canada.

Responsible party (this contact information is only for FCC matters) :

Name: GOVEE MOMENTS(US) TRADING LIMITED

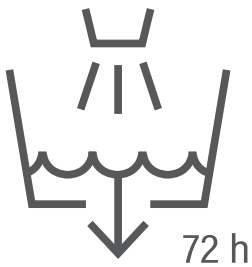
Address: 2501 Chatham Rd Suite R Springfield IL 62704

Email: support@govee.com

Contact information: <https://www.govee.com/support>



FOR INDOOR USE ONLY
NUR FÜR DEN INNENGEBRAUCH
POUR UNE UTILISATION EN INTÉRIEUR UNIQUEMENT
SÓLO PARA USO EN INTERIORES
SOLO PER USO INTERNO
屋内使用のみ



Clean the water every three days
Nettoyer le réservoir d'eau tous les trois jours
Pulire il serbatoio dell'acqua ogni tre giorni
Limpiar el depósito de agua cada tres días
Reinigen Sie den Wassertank alle drei Tage
水タンクは3日に1回掃除してください

The Bluetooth® word mark and logos are registered trademarks owned by Bluetooth SIG, Inc. and any use of such marks by Shenzhen Qianyan Technology LTD is under license.

The trademark GoveeLife has been authorised to Shenzhen Qianyan Technology LTD.
Copyright ©2021 Shenzhen Qianyan Technology LTD.
All Rights Reserved.



PAP 22
Raccolta Carta



Govee Home App

For FAQs and more information,
please visit: www.govee.com