



# 深圳市联笙科技有限公司

ShengZhen LianSheng Technology Co.,Ltd.

## 规格承认书

### SPECIFICATION FOR APPROVAL

日期 Date 2022/09/05

编号 File No SA000937

版本 Revision 1.0

客户  
CUSTOMER: 千岩

客户料号  
CUSTOMER NO: H7100

品名  
WIFI Antenna L=120MM

供方料号  
LSF.A1159.B113.01

送样日期 Date: 送样数量 Q"TY: PCS

客户确认 CUSTOMER APPROVED BY		
APPROVAL	CHIEF	SUPERVISOR
供方确认 SUPPLIER SIGNATURE		
APPROVAL	CHECK	DESIGN
ChenGuoqiang	WenXue	ChenXingcheng

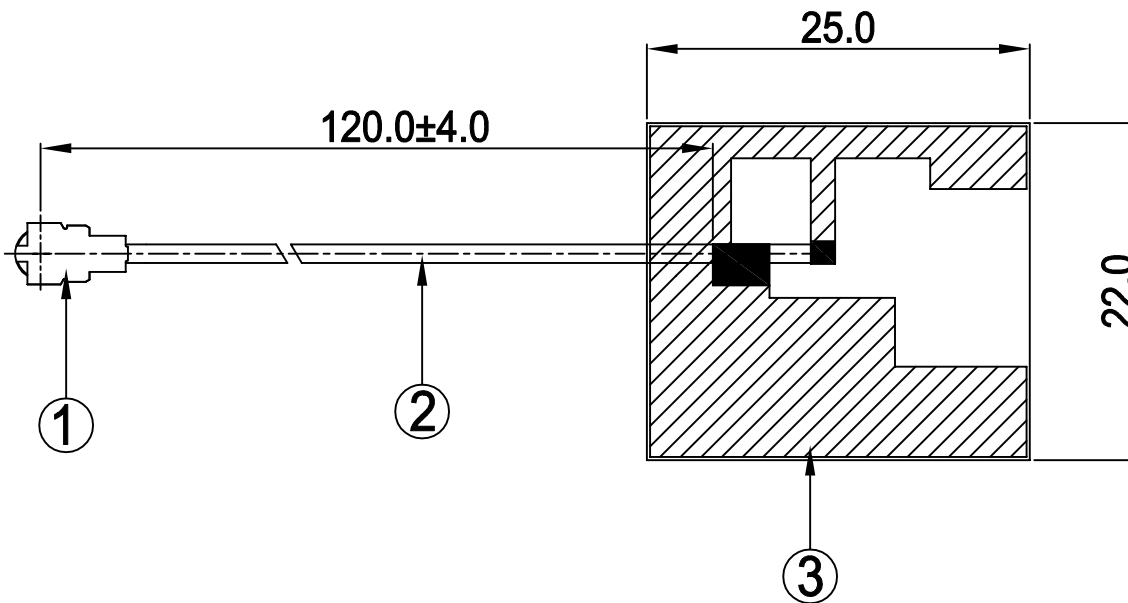
# 承认书项目表

NO	内容 (Contents)	页数 (Number of Page)	页码 (Page Code)
1	承认书封面 (Spec Cover)	1	1
2	承认书项目表 (Spec Item)	1	2
3	工程成品图 (Drawing)	1	3
4	天线规格 (Antenna Specification)	1	4
5	S参数测试 (S Parameter)	1	5
6	无源测试 (Passive Test)	2	6 ~ 7
7	方向图 (Radiation Pattern)	1	8
8	有源测试 (Active Test)	1	9
9	天线装配图 (Antenna Profile)	2	10 ~ 11
10	N/A	N/A	N/A
11	-	-	-
12	-	-	-
13	-	-	-

**RoHS**  
Compatible

CUSTOMER	
PART NO	

REV.	DESCRIPTION	DATE
△	首次发行	2022-08-31



**深圳市联笙科技有限公司**  
ShengZhen LianSheng Technology Co.,Ltd.

Tel:0755-82885545  
MP:13823198410

**PART NAME:** WIFI Antenna L=120MM MHF

**PART NO.:** LSF.A1159.B113.01

**DATE:** 2022-08-31

APPROVED BY	CHECKED BY	DESIGNED BY	 UNITS: mm SCALE: 1/1 REVISION: A	Tolerance X.X ±0.50 X.XX±0.15 X° ±3°
陈国强	林斌	廖光喜		

3	FPCB	25.0*22.0MM	FPCB	FPC1000XA.P01	1
2	Coaxial Cable	O.D.1.13 Black	O.D.1.13	COA1000XA.P01	1
1	Mini Connector	Au Plated 1代	Cu	TER1000XA.P01	1
NO	PART NAME	DESCRIPTION	Material	Part Number	Q.TY

1 2 3 4 5 6 7 8

# 天线规格

## Antenna Specification

### Electrical Properties

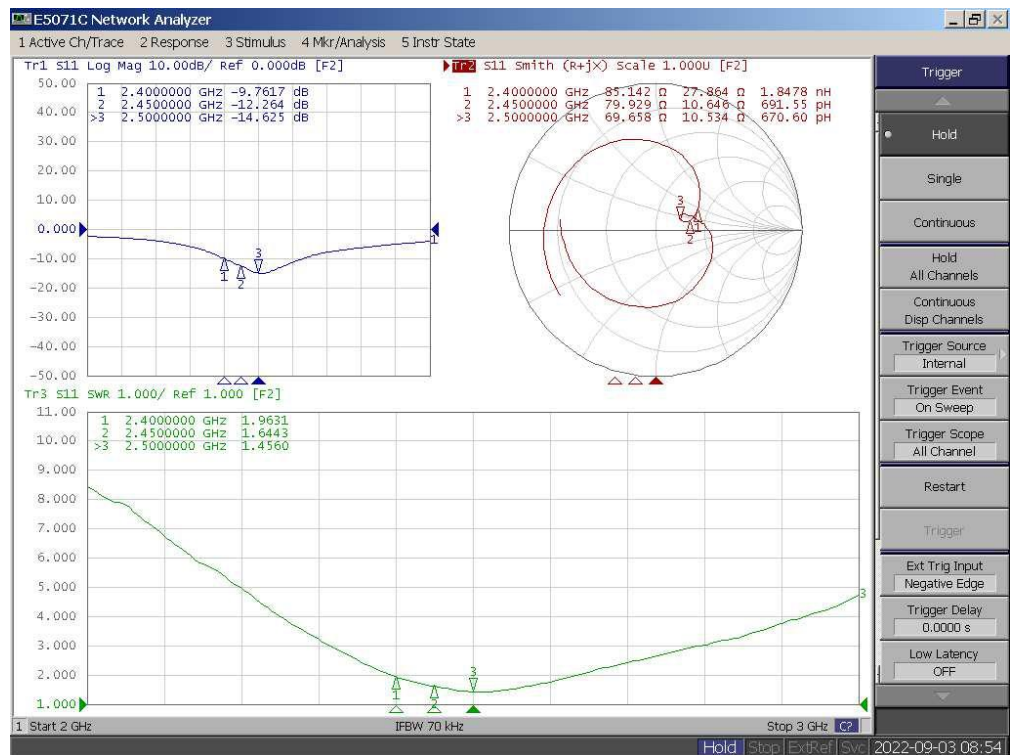
Frequency	2.4-2.5GHz
Impedance	50 Ohm Nominal
V.S.W.R	2.0 Max
Gain	6.5 dBi
Radiation	Omni-directional
Polarization	Linear

### Physical Properties

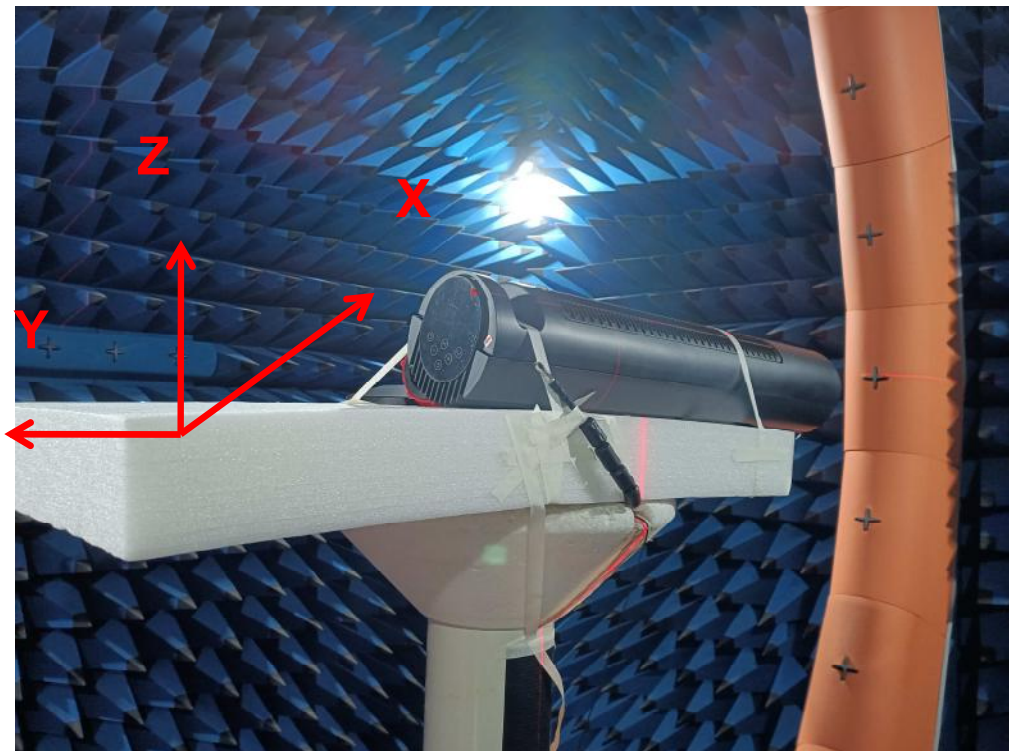
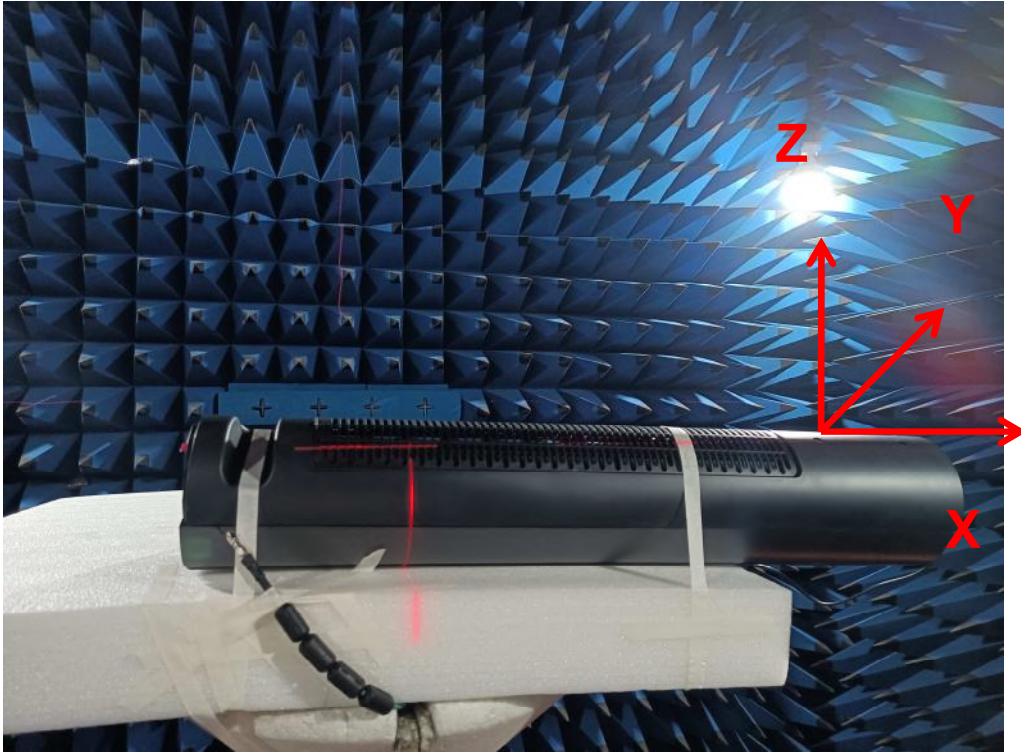
Connector	1代IPEX
Cable Type	O.D.1.13mm
Cable Length	120mm
Cable Color	Black
Operating Temp.	-40 ~ +85 °C
Storage Temp / Humidity	25±5°C / <70%

# Antenna Performance Test

**Agilent  
E5071C  
S11  
Parameter  
Test //  
WIFI  
Antenna**



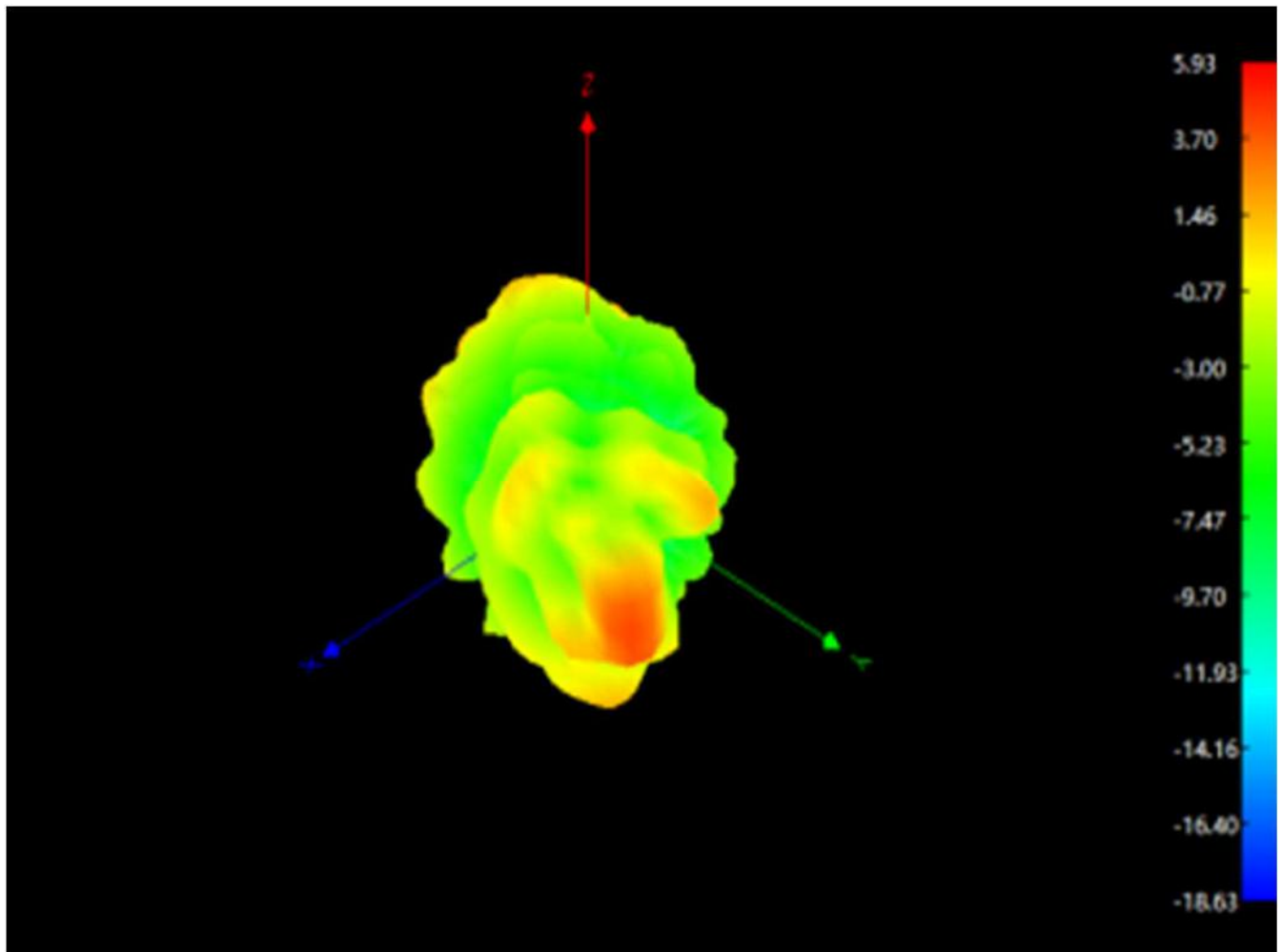
# *Antenna Passive Test*



## Passive Test For WIFI Antenna(2.4G)

Freq (MHz)	Effi (%)	Effi (dB)	Gain (dBi)
2400	50.9	-2.9	4.7
2410	52.0	-2.8	4.9
2420	53.9	-2.7	5.2
2430	55.6	-2.5	5.6
2440	55.3	-2.6	5.5
2450	57.8	-2.4	5.9
2460	57.6	-2.4	5.8
2470	60.0	-2.2	6.3
2480	59.3	-2.3	6.1
2490	61.3	-2.1	6.5
2500	60.1	-2.2	6.2

## Radiation Pattern For WIFI Antenna(2450MHz)





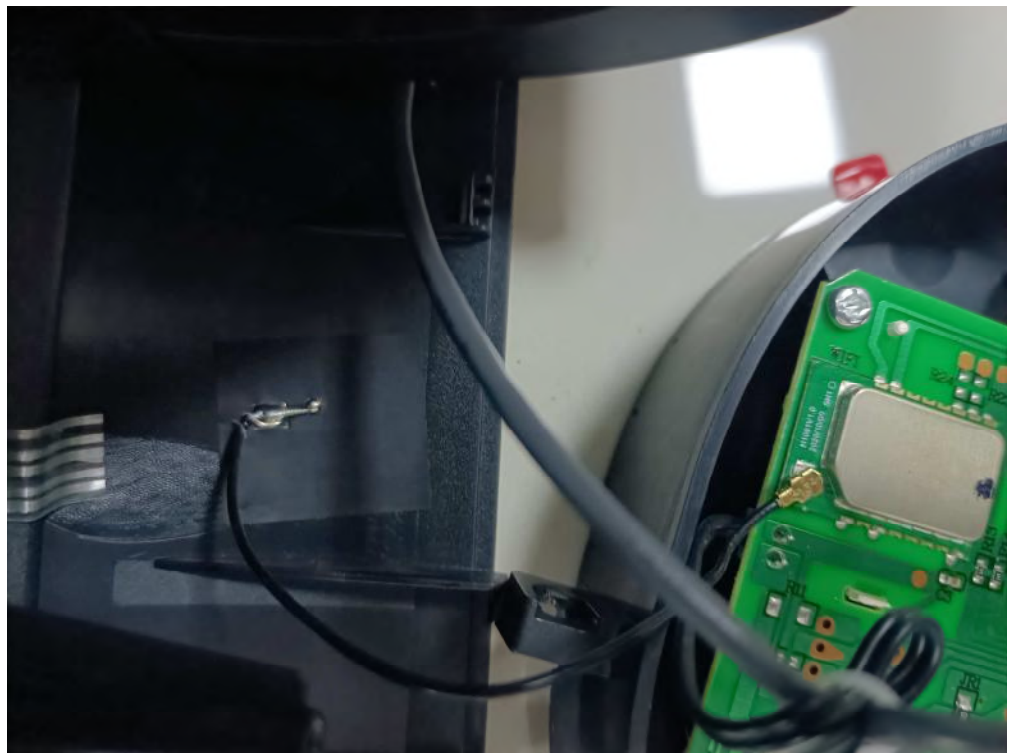
# *Antenna Active Test*

Active Test For WIFI Antenna							
Band	Channel	Data Rate	TRP	EIRP	Data Rate	TIS	EIS
WIFI 2.4G 802.11b	1		12.7	17.1		-81.5	-86.1
	6	11Mbps	12.2	17.8	11Mbps	-81.3	-86.8
	11		12.0	17.9		-82.2	-87.1

*Device*



*WIFI  
Antenna*



**WIFI Antenna**

