



H70B3 英语说明书

版本：1.0

页数：10页

尺寸：75x105 (mm)

材质：80G书页纸

工艺：单色印刷

折叠方式：风琴折

Safety Instructions

- Move all cribs, beds, furniture and toys away from the lights. Do not tie the bottom of the string lights and form loops as this could wrap around a child's neck and cause SUFFOCATION.
- This product is rated as IP65 Waterproof. It can be used outdoors but cannot be immersed in water.
- The internal light sources of the string lights cannot be replaced. If the light sources sustain damage, the product should be replaced.
- Do not allow children to assemble and install this product without adult supervision.
- Avoid installing this product near major heat sources.
- External dimmers cannot be used with this product.
- Use this product with the provided power adapter only.
- To reduce the risk of strangulation, the flexible wiring connected to this luminaire shall be effectively fixed to the wall if the wiring is within arm's reach.
- Keep all string lights out of the reach of children.

Introduction

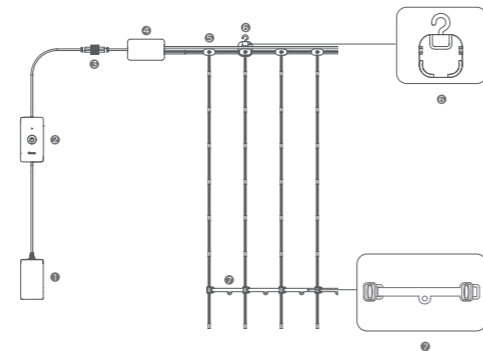
Thanks for choosing the Govee Curtain Lights 2. These curtain lights are easy to install and can be used both indoors and outdoors. They can not only be used in/on curtains, bedrooms, bushes, dormitories, yards, balconies or any other places for lights and decoration, but also can be applied during holidays like Christmas, Valentine's Day and Halloween. With the DIY mode and Music mode, you can also design your own lighting effects and bring more fun to your parties.

01

What You Get

Item	Quantity
Curtain Light	1
Adapter	1
Control Box	1
User Manual	1

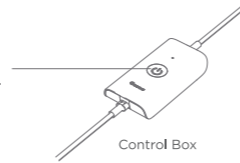
At a Glance



- ① Power Adapter
- ② Control Box
- ③ Waterproof Connector
- ④ Repeater
- ⑤ Wire Adapter
- ⑥ Hooks
- ⑦ Plastic Strap

02

- Press to turn the light on or off.
- Long press for 5 seconds to reset.



Pairing Your Device with Govee Home App

What You Need:

- A Wi-Fi router supporting the 2.4GHz and 802.11 b/g/n bands. 5GHz is not supported.
- A smartphone or tablet running iOS or Android.



1. Download Govee Home App from the App Store (iOS devices) or Google Play (Android devices).
2. Turn on your smartphone's Bluetooth.
3. Open the app, tap the "+" icon in the top right corner and search "H70B3."
4. Tap the device icon and follow the on-screen instructions to complete pairing.

03

Specifications

Power Input	100-240VAC 50/60Hz
Power Output	36VDC 1A
Size	4.9ft*6.5ft(1.5m*2m) / PCS
Light Color	RGB
Waterproof	Control Box (IP65) String Light (IP65)
Working Temperature	-20-40°C/-4-104°F

Troubleshooting

1. Failed to connect to Govee Home App.
 - Make sure the curtain lights are connected to power.
 - Make sure your smartphone's Bluetooth is enabled.
 - Keep your smartphone close to the control box and try again.
2. Missing parts/Receiving products from a secondary sale.
 - Check the pictures on the web page to confirm what parts are missing and contact customer service in the app for replacements.
 - If you received a product from a secondary sale or a product that cannot work properly, please contact customer service in the app for a replacement.
3. Network failure
 - Make sure your home Wi-Fi is 2.4Ghz, and your smartphone's Bluetooth is on.
 - Long press the control box for more than 5s to reset the whole light. Unbind and then rebind the light.

04



Govee Home App

For FAQs and more information, please visit: www.govee.com

- If the light is too far away from the Wi-Fi, bring the device closer to the Wi-Fi, and then reconnect to the network.
 - Check if there are too many devices connected to the network. If so, change to another network.
 - If the above methods cannot solve your problems, please contact customer service in the app to replace the control box.
4. App operation guide is needed.
- Open Govee Home App, tap My Profile>> Govee Instructions>> App Guide>> How to Use, to find more details.
- If your problem persists, please contact Customer Support.

Customer Service

- 🛡️ Warranty: 12-Month Limited Warranty
- 🗣️ Support: Lifetime Technical Support
- ✉️ Email: support@govee.com
- 🌐 Official Website: www.govee.com
- 📺 @Govee 📷 @govee_official 📺 @govee.official
- 🐦 @Goveeofficial 📺 @Govee.smarthome

FCC and ISED Canada Statement

This device complies with Part 15 of the FCC Rules and Industry Canada licence-exempt RSS standard(s).

Operation is subject to the following two conditions:

- (1) This device may not cause harmful interference, and
- (2) This device must accept any interference received, including interference that may cause undesired operation.

Warning: Changes or modifications not expressly approved by the party responsible for compliance could void the user's authority to operate the equipment.

Le présent appareil est conforme aux CNR d'Industrie Canada applicables aux appareils radio exempts de licence. L'exploitation est autorisée aux deux conditions suivantes :

- (1) l'appareil ne doit pas produire de brouillage, et
- (2) l'utilisateur de l'appareil doit accepter tout brouillage radioélectrique subi, même si le brouillage est susceptible d'en compromettre le fonctionnement.

NOTE: This equipment has been tested and found to comply with the limits for a Class B digital device, pursuant to Part 15 of the FCC Rules.

These limits are designed to provide reasonable protection against harmful interference in a residential installation. This equipment generates uses and can radiate radio frequency energy and, if not installed and used in accordance with the instructions, may cause harmful interference to radio communications. However, there is no guarantee that interference will not occur in a particular installation. If this equipment does cause harmful interference to radio or television reception, which can be determined by turning the equipment off and on, the user is encouraged to try to correct the interference by one or more of the following measures:

1. Reorient or relocate the receiving antenna.
2. Increase the separation between the equipment and receiver.
3. Connect the equipment into an outlet on a circuit different from that to which the receiver is connected.
4. Consult the dealer or an experienced radio/TV technician for help.

FCC and IC Radiation Exposure Statement

This equipment complies with FCC and IC radiation exposure limits set forth for an uncontrolled environment. This equipment should be installed and operated with minimum distance 20cm between the radiator & your body.

Lors de l'utilisation du produit, maintenez une distance de 20 cm du corps afin de vous conformer aux exigences en matière d'exposition RF.

This Class B digital apparatus complies with Canadian ICES-005. Cet appareil numérique de la classe B est conforme à la norme NMB-005 du Canada.

Responsible party:

Name: GOVEE MOMENTS(US) TRADING LIMITED
 Address: 2501 Chatham Rd Suite R Springfield IL 62704
 Email: support@govee.com
 Contact information: https://www.govee.com/support

The trademark Govee has been authorised to Shenzhen Qianyan Technology LTD.
 Copyright ©2021 Shenzhen Qianyan Technology LTD.
 All Rights Reserved.



User Manual

Model: H70B3
 Govee Curtain Lights 2