

Antenna test report

Test Laboratory	Dongguan Yijia Electronic Co., LTD
Address	No. 59 Muyu Road, Shatou Community, Chang 'an Town, Dongguan City, Guangdong Province
Contact:	Mr. Gan 13823198410
Manufacture Name	Shenzhen Qianyan Technology LTD
Manufacture Address	No. 3301, Block C, Section 1, Chuangzhi Yuncheng Building, Liuxian Avenue, Xili Community, Xili Street, Nanshan District, Shenzhen
Model	H5043

1. Test procedures

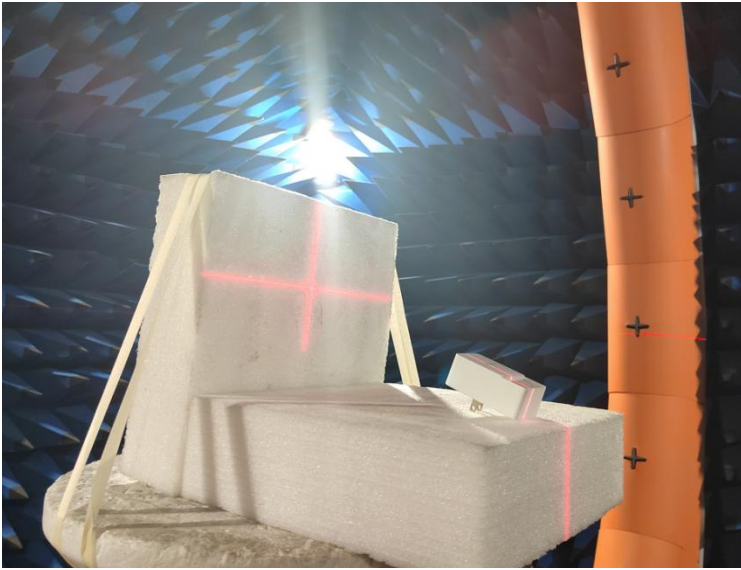
Name	Parameter	Method	Standard No.
Mobile communication antenna	VSWR	Generic specification for antennas used in the mobile communications	GB/T 9410-2008
	Antenna Gain		
	Radiation pattern		
Antenna	Radiation efficiency	IEEE Standard Test Procedures for Antennas	ANSI/IEEE Std 149-1979

2. Test Equipment

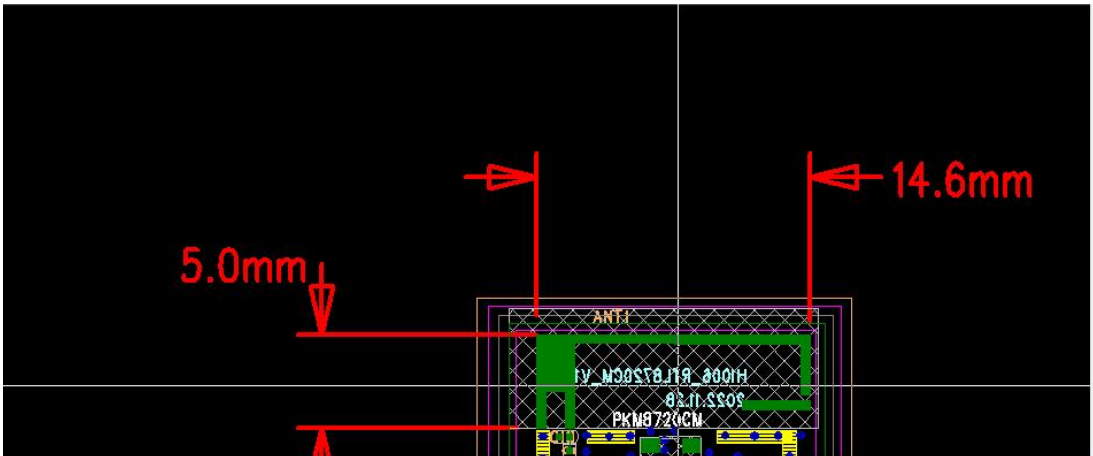
Equipment	Model No.	Serial No.	Manufacture	Calibration Date	Next calibration Date
24 probe Microwave chamber	MPS2450 Multi-probe OTA measurement systems 5*5*5	YJ-PB-F01	XH-IOE	2022.09.01	2023.09.01
Network Analyzer	ZVB8	YJ-RD-15	ROHDE&SCHWARS	2022.08.25	2023.08.25

Wideband radio Communication tester	CMW500	YJ-RD- 16	ROHDE& SCH WARS	2022.08.25	2023.08.25
---	--------	-----------	--------------------	------------	------------

3. DUT Setup Photo



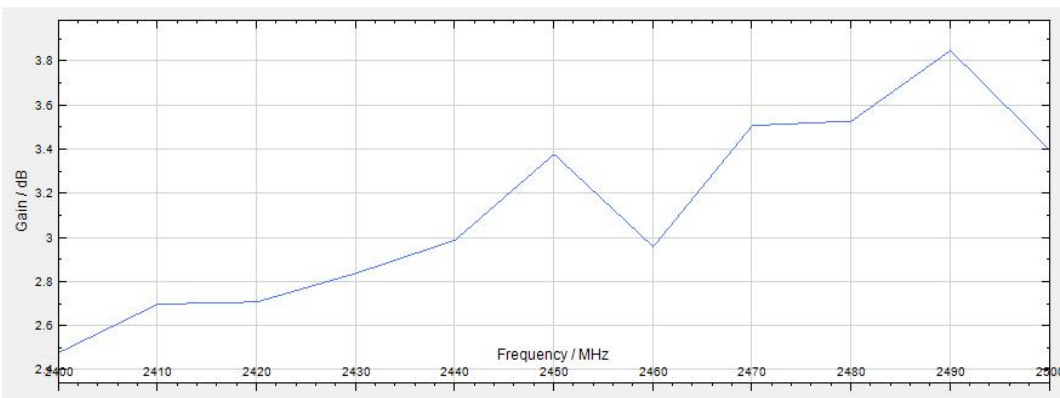
4. Bluetooth & Wi-Fi Antenna Physical Size



5. Bluetooth & Wi-Fi Antenna Type & Gain

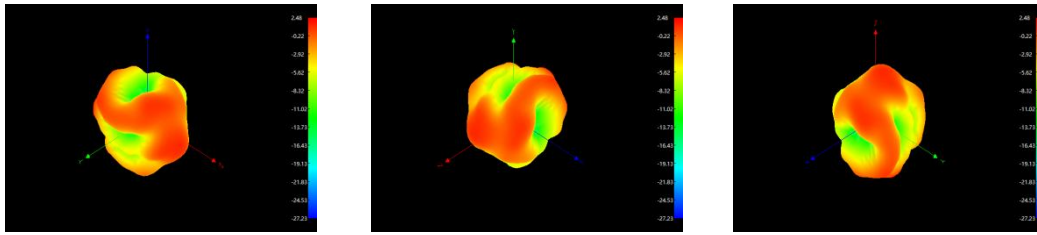
Type: PCB Antenna

Frequency / MHz	Gain/ dBi
2400	2.48
2410	2.7
2420	2.71
2430	2.84
2440	2.99
2450	3.38
2460	2.96
2470	3.51
2480	3.53
2490	3.85
2500	3.4

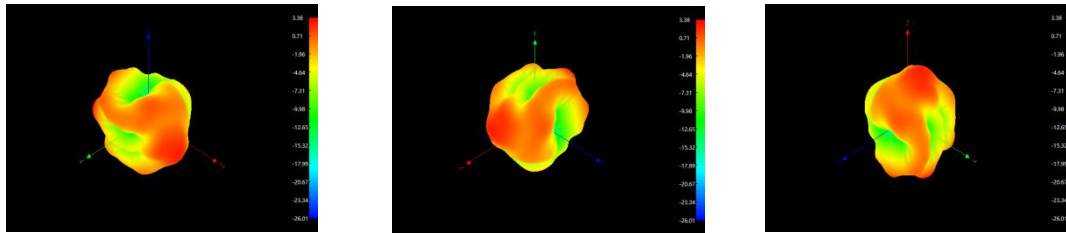


6. Bluetooth & Wi-Fi Antenna Pattern Picture

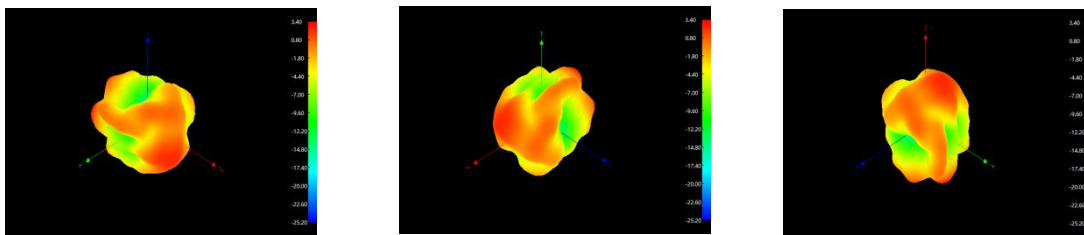
2400MHz



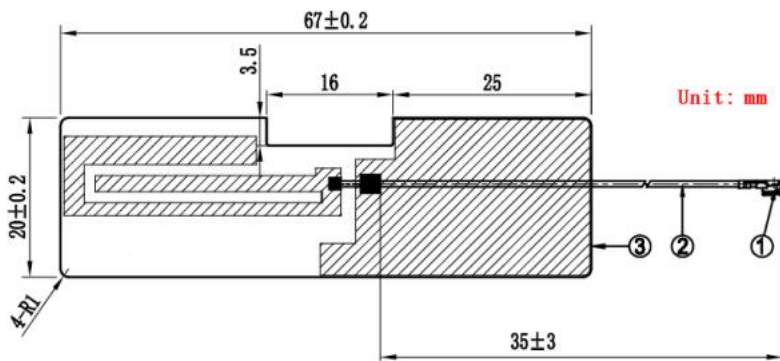
2450MHz



2500MHz

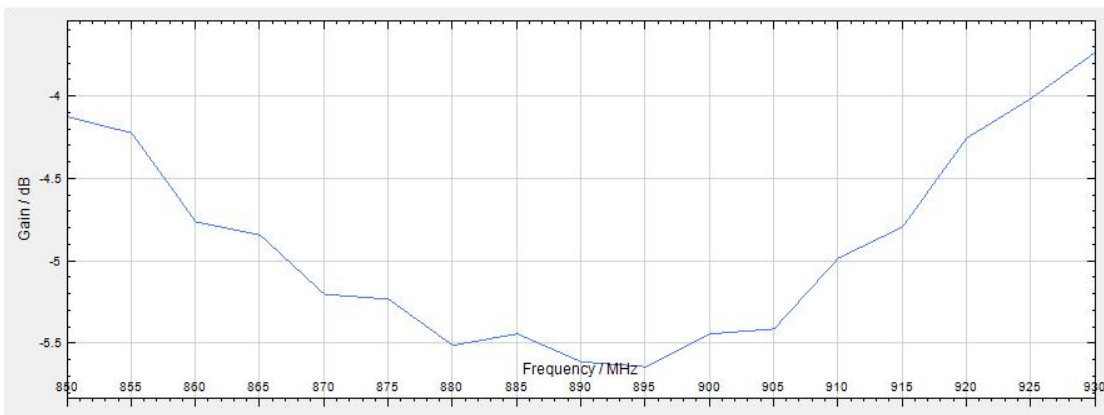


7 . Lora Antenna Size & Gain



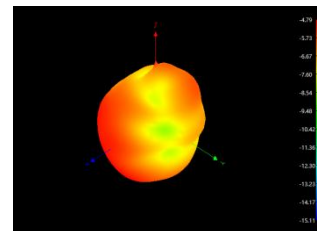
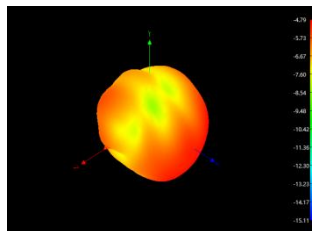
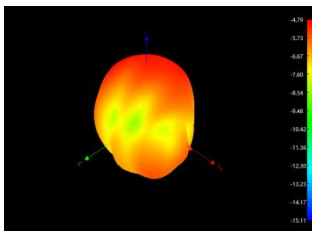
Frequency / MHz	Gain/ dBi
850	-4.12
855	-4.22
860	-4.76
865	-4.84
870	-5.2

875	-5.23
880	-5.51
885	-5.44
890	-5.61
895	-5.64
900	-5.44
905	-5.41
910	-4.98
915	-4.79
920	-4.25
925	-4.01
930	-3.73



8 . Lora Antenna Antenna Patten Picture

915MHz



Tester by: Wu xianming

Wu Xianming