

# Safety and Warranty information

## V3.5 Overseas Project Multimedia Domain Controller Host Manual

Manufacturer: NOBO AUTOMOTIVE TECHNOLOGIES CO., LTD.

Address: No. 668, Caihong Road, Zhangjiagang Economic and Technological Development Zone, Suzhou , Jiangsu, P.R. China

### Product Description

Product Name: Multimedia Control System

Specification & Model: IN9.0

Installation Location: Behind the vehicle dashboard

Hardware: AA

Software: AA

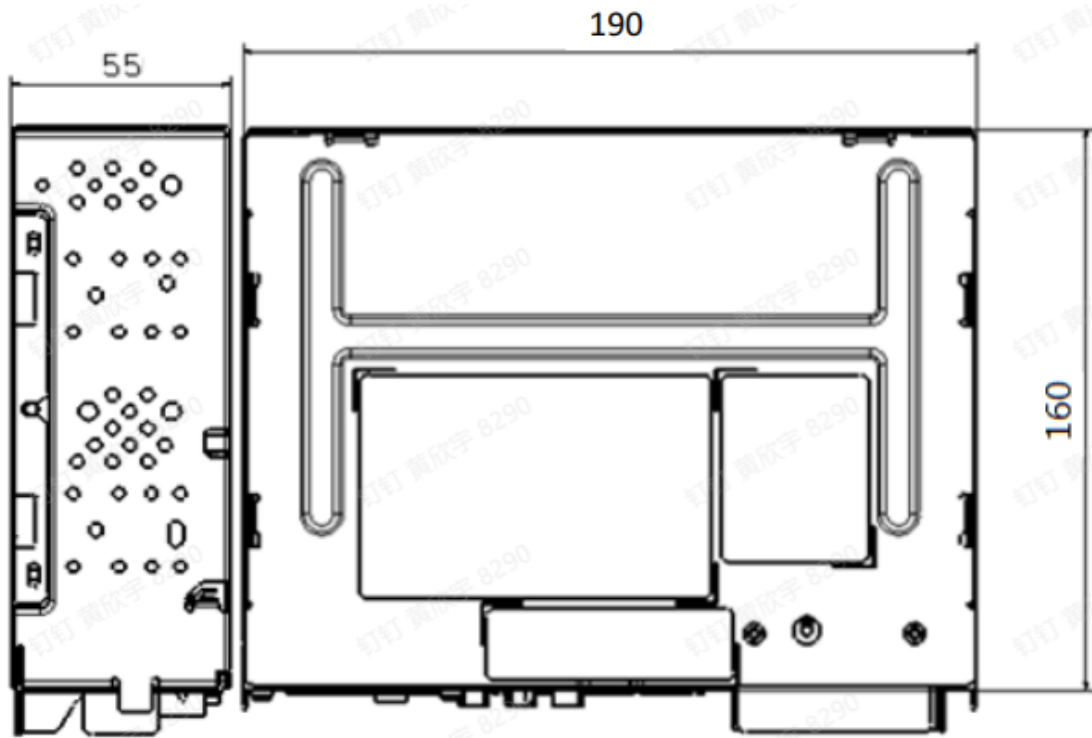
### Product Features

1. This product can output video signals and play multimedia files on the display screen. It can also receive the touch signal input by the display screen to realize the user's control of this product.
2. This product can process the video input of the vehicle's Surround View camera and output it to the display screen.
3. This product can output audio signals to make the vehicle's speaker sound.
4. This product accepts microphone input signals, allowing users to make phone calls or use voice assistants.
5. This product can communicate with the user's mobile phone through Bluetooth, WIFI, USB, etc., and provide functions such as Bluetooth phone and mobile phone interconnection.
6. This product also supports many upper-layer applications, and can realize functions such as navigation, occupant monitoring, and OTA upgrade.

### Technical Parameters

Dimensions: 190\*55\*160mm

# Safety and Warranty information



Weight: 1.1kg

Working voltage: 7V-18V

Rated voltage: 12V

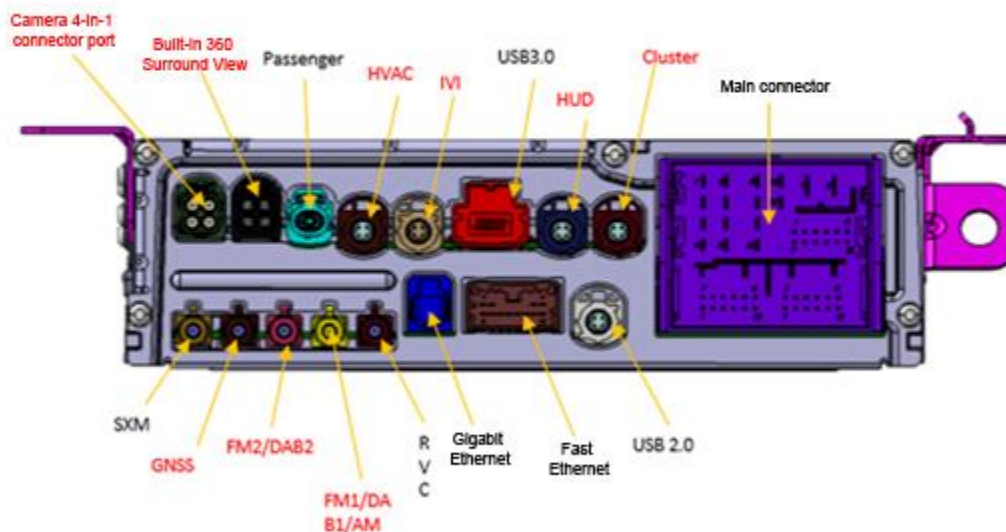
Normal working temperature:  $-40^{\circ}\text{C}$ - $70^{\circ}\text{C}$  (full performance and full function)

$70^{\circ}\text{C}$ - $85^{\circ}\text{C}$  (full function)

## Feature Description

Schematic diagram of the back-end interface of the full-featured host:

# Safety and Warranty information



Camera 4-in-1 connector port: It can connect up to four 2-megapixel cameras for inputting video data from DVR, DMS, and OMS cameras.

Built-in 360 Surround View: It can connect up to four 2-megapixel cameras for inputting video data from the AVM Surround View camera.

Passenger: The video data output port of the passenger display.

HVAC: The video data output port of the air conditioning control panel.

IVI: The video data output port of the central display.

USB3.0: A data transmission interface that supports the USB3.0 protocol.

HUD: The video data output port of the HUD display.

Cluster: The video data output port of the instrument display.

Main connector: integrated power input, speaker audio output, microphone audio input, CAN bus signal transmission port, display enable signal, and fuel sensor signal input.

SXM: SDARS antenna signal input port.

GNSS: GNSS antenna signal input port.

FM2: FM sub-antenna signal input port.

FM1/AM: FM/AM main antenna signal input port.

RVC: RVC camera video data input port.

Gigabit Ethernet: Gigabit Ethernet cable access port.

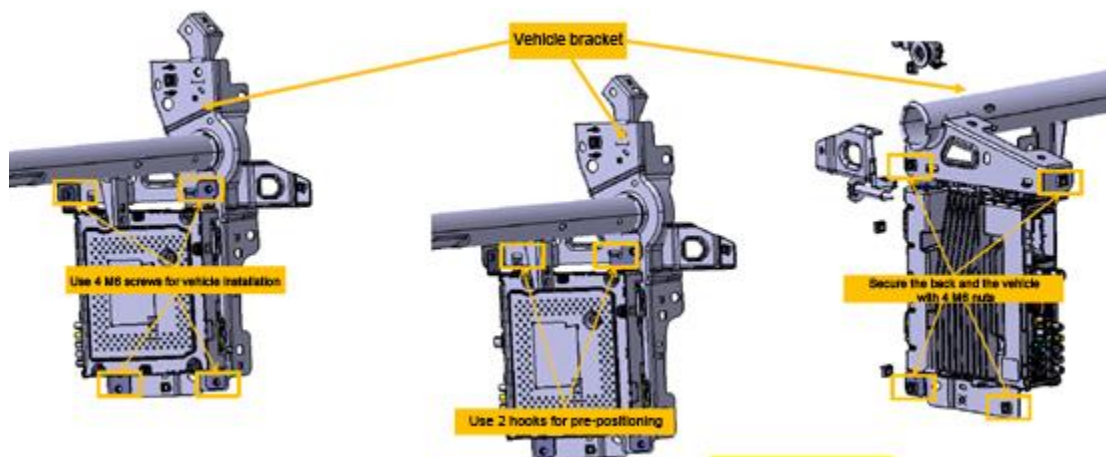
Fast Ethernet: Fast Ethernet cable access port.

USB2.0: A data transmission interface that supports the USB2.0 protocol.

## Installation method;

Bracket mounting

# Safety and Warranty information



## WARNING:

1. When using the voice assistant to control the vehicle, pay attention to the surrounding environment and personal safety to prevent serious accidents such as pinching and bumping.
2. For driving safety, do not operate the Vehicle Settings while driving.

## FCC compliance statement

FCC ID: 2A7V5-IN90-1

This device complies with Part 15 of the FCC Rules. Operation is subject to the following two conditions: (1) this device may not cause harmful interference, and (2) this device must accept any interference received, including interference that may cause undesired operation.

**Caution:** The user is cautioned that changes or modifications not expressly approved by the party responsible for compliance could void the user's authority to operate the equipment.

**Note:** This equipment has been tested and found to comply with the limits for a Class B digital device, pursuant to part 15 of the FCC Rules. These limits are designed to provide reasonable protection against harmful interference in a residential installation.

This equipment generates, uses and can radiate radio frequency energy and, if not installed and used in accordance with the instructions, may cause

## **Safety and Warranty information**

harmful interference to radio communications. However, there is no guarantee that interference will not occur in a particular installation. If this equipment does cause harmful interference to radio or television reception, which can be determined by turning the equipment off and on, the user is encouraged to try to correct the interference by one or more of the following measures:

- Reorient or relocate the receiving antenna.
- Increase the separation between the equipment and receiver.
- Connect the equipment into an outlet on a circuit different from that to which the receiver is connected.
- Consult the dealer or an experienced radio/TV technician for help.

### **Human RF Exposure:**

This equipment complies with the FCC RF radiation exposure limits set forth for an uncontrolled environment. This equipment should be installed and operated with a minimum distance of 20 centimeters between the radiator and your body.

This transmitter must not be co-located or operating in conjunction with any other antenna or transmitter.

The antennas used for this transmitter must be installed to provide a separation distance of at least 20cm from all persons and must not be located or operating in conjunction with any other antenna or transmitter.