

## Operating instructions

### 1.playing

Plug the power cord in, and adjust the main volume knob to proper place. Switch on, and adjust Treble and Bass in accordance with your preferences. You then are able to enjoy the wonderful & professional glamour brought by the product.

### 2.Karaoke performance

Plug in the microphone, and then turn the knobs to adjust microphone volume and reverberation for optimizing the performance. You only need to install the microphone battery and switch on.

**Note:** after using, please turn down the volume first. Then switch off the power and pull out the power plug.

### FM Operation

Lightly press Input button to switch to FM mode, short press PLAY/PAUSE button to automatically scan radio station, by pressing PREVIOUS or NEXT you can select a previous or next radio station.

### Bluetooth:

Press the INPUT button on the panel control to select Bluetooth mode. Simultaneously open the Bluetooth setting on your phone, tablet or any other Bluetooth enabled audio device and select "TD-9215".

### Specifications:

Power:	150W
Frequency Response for main speaker:	45Hz-20KHz
Power Supply:	DC 22V

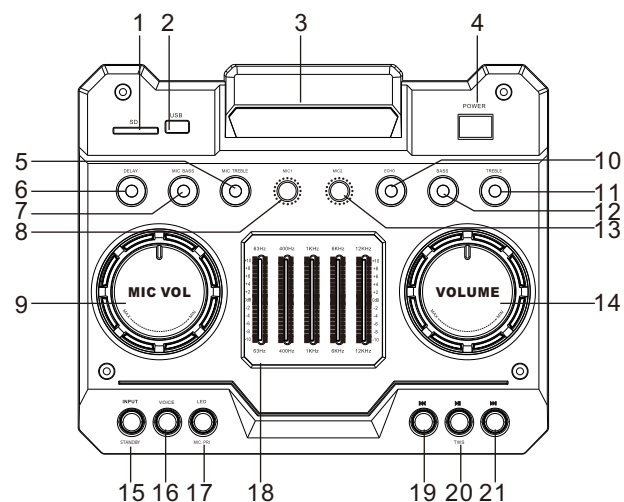
## PORTABLE BATTERY SPEAKER

### User Manual TD-9215



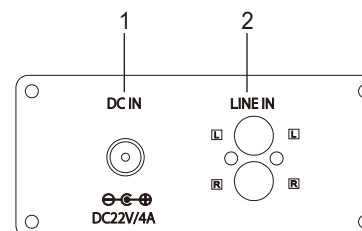
- ※ Adopt separated channel HI-FI design to get **high fidelity sound effect**.
- ※ Independent Karaoke reverberation adjustment makes Karaoke performance as professional
- ※ High-quality components and precision processing equipment generates its dignified and extraordinary appearance, along with fashion elements.

## Front panel



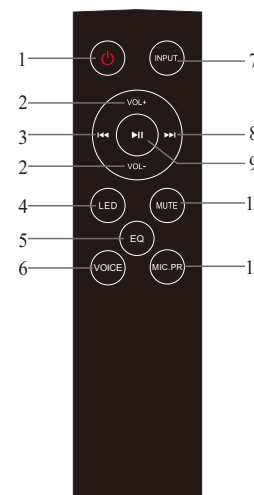
- 1.SD card input
- 2.USB Player
- 3.LED display
- 4.Power switch
- 5.MIC TREBLE: Music treble adjust
- 6.DELAY: Microphone karaoke delay adjust
- 7.MIC BASS: Music bass adjust
- 8.MIC1: Microphone input
- 9.MIC.VOL:Microphone volume control
- 10.ECHO:Microphone karaoke echo adjust
- 11.TREBLE:Treble adjustment
- 12.BASS:Bass adjustment
- 13.MIC2: Microphone input
- 14.VOLUME Music volume adjust
- 15.INPUT/STANDBY: Short press for playing mode selection for Line In, FM Radio , Bluetooth, USB, and SD card.
- Press STANDBY button on the panel control for a few seconds,the device will enter into stanby state,the LED display will turn off,press INPUT/STANDBY the device will switch on.
- 16.Voice Changer.
- 17.LED/MIC PRI: Press and hold the LED key for 3 seconds ,the screen appears ON or OFF,turn the led light on or off.short .press MIC.PRI to turn microphone priority on or off.
- 18.EQ adjustment : enhance the adjustment of music to choose the effect you like.
- 19.Previous song
- 20.Play/Pause&TWS&FM:(Wirless Bluetooth Connection: under bluetooth mode, press TWS button for around 3 seconds to pairing another TWS speaker;Under FM mode, lightly press Play/Pause&TWS to enter into automatic scan and all the scanned radio stations will be saved automatically.)
- 21.Next song

## Rear panel



- 1.DC input
- 2.LINE input

## Remote control



- 1.Standby
- 2.Master volume +/-
- 3.Previous/VOL-
- 4.LED button
- 5.EQ button
- Press EQ button on the remote to select EQ modes: Pop, Classical, Jazz and Rock.
- 6.Voice Changer
- 7.Signal input button
- 8.Next/VOL+
- 9.Play/ Pause
- 10.Mute button
- 11.MIC Priority

## Instructions

- 1.Remote control should be available within 6 meters and 60 degree.
- 2.Remote control should be operated straight to the VFD Remote transducer area. No obstacle should be placed between the remote control and the unit.
- 3.Remote control might be unavailable under strong light, In this case, remote controller should be removed from the strong light.

**FCC Warning Statement: Changes or modifications to this unit not expressly approved by the party responsible for compliance could void the user's authority to operate the equipment. This equipment has been tested and found to comply with the limits for a Class B digital device, pursuant to Part 15 of the FCC Rules. These limits are designed to provide reasonable protection against harmful interference in a residential installation. This equipment generates, uses and can radiate radio frequency energy and, if not installed and used in accordance with the instructions, may cause harmful interference to radio communications. However, there is no guarantee that interference will not occur in a particular installation. If this equipment does cause harmful interference to radio or television reception, which can be determined by turning the equipment off and on, the user is encouraged to try to correct the interference by one or more of the following measures:**

- **Reorient or relocate the receiving antenna.**
- **Increase the separation between the equipment and receiver.**
- **Connect the equipment into an outlet on a circuit different from that to which the receiver is connected.**
- **Consult the dealer or an experienced radio/TV technician for help.**

**This device complies with Part 15 of the FCC Rules. Operation is subject to the following two conditions: (1) this device may not cause harmful interference, and (2) this device must accept any interference received, including interference that may cause undesired operation.**

#### **FCC Radiation Exposure Statement**

**The antennas used for this transmitter must be installed to provide a separation distance of at least 20 cm from all persons and must not be co - located for operating in conjunction with any other antenna or transmitter.**