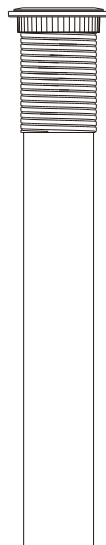


400.00 mm

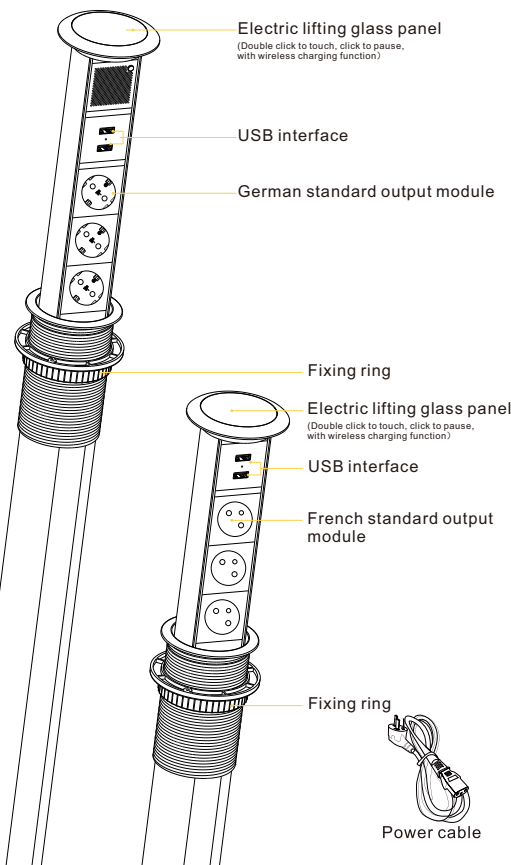
80.00 mm

# SMART LIFTING User Manual

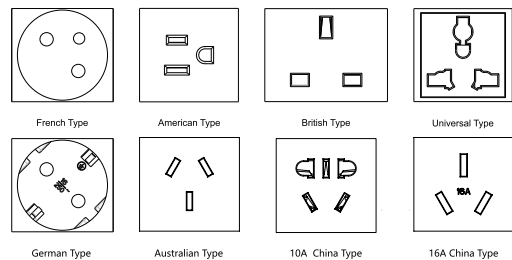
129.00 mm



## Product Brief



## Functional Module



## Installation Notes

- The first step is to make a round hole with a diameter of 6.5cm in the table;
- The second step is to put the main body of the product into the hole on the table;
- The third step is to put the fixing ring on the main body from under the table and tighten it;
- The fourth step is to plug in the matching power cord.

## Product Parameters

- Lifting method: electric lifting
- Input specifications: 100V-240V~, MAX 10A
- USB input: 100V-240V~ 50/60Hz MAX500mA
- Working temperature: -5°C~40°C
- Dual-port USB output: 5V~2.1A Three-port USB output:5V~2.4A
- 1A1C output: 5V~3A, 9V~2A, 12V~1.5A
- 2A1C output: 5V~3A, 9V~2.22A, 12V~1.5A
- Rated current: 10A/16A
- Rated power: 2500W/4000W
- Output when wireless charging is in use: 10W MAX

## Application Scenario

- Star Hotels
- Bedroom
- Corporate desk
- Bar
- Office
- Kitchen counter
- Living room
- Meeting room
- Showroom

## Wireless charging

Place a mobile phone that supports wireless charging on the touch panel at the top of the product, and adjust the position of the mobile phone on the touch panel until it prompts to charge.  
(For mobile phone models that support wireless charging, go to the phone's official website to check).

Note: The wireless charging function can be used when the product is powered on. Please do not put other items on the touch panel except for mobile phones that support wireless charging. Otherwise the product will switch on and off automatically.

## Maintenance

Many cleaners contain solvents and abrasives. Please do not use these cleaners to clean this product. Please use a soft cloth dipped in warm water to wipe the clean surface.  
If you need to use detergent, please use mild detergent or soap to clean, and then wipe the remaining detergent with a clean soft cloth.

## Safety Warnings

- The total load power of this product should not exceed 2500W;
- This product is only suitable for indoor and dry environments;
- Non-professionals do not disassemble, modify or repair this product;
- Do not bundle the power cord during use to avoid abnormal overheating;
- Do not use in a humid environment and keep away from heat sources, so as not to cause leakage of the product;
- Do not let children play with this product to avoid accidental electric shock and other dangers;
- When the product is energized, do not use conductors or other tools to test the opening force of the protective door.

## Warranty

- The warranty period of this product is one year, and the warranty method is to send it to the customer for repair, and the warranty replacement is limited to smart sockets strips, packaging, software products and technical data. Other accessories are not covered by the warranty;
- The warranty start date of the product is the date of the purchase invoice. The user is required to present the purchase invoice during warranty. If the invoice cannot be issued, the free warranty start date of the product will be based on the product's factory date;
- The repaired machine will continue to enjoy the warranty service if it is within the warranty period; if it is less than 3 months after the end of the warranty period, the replaced product will be Enjoy a 3-month warranty from the date of replacement.

## Product Warranty Card

Purchase channel:	
Product model:	
Fault content:	
Order number:	
Purchase date:	
User name:	
User phone:	
User address:	

## FCC Statement

Note: This equipment has been tested and found to comply with the limits for a Class B digital device, pursuant to part 15 of the FCC Rules. These limits are designed to provide reasonable protection against harmful interference in a residential installation. This equipment generates, uses and can radiate radio frequency energy and, if not installed and used in accordance with the instructions, may cause harmful interference to radio communications. However, there is no guarantee that interference will not occur in a particular installation. If this equipment does cause harmful interference to radio or television reception, which can be determined by turning the equipment off and on, the user is encouraged to try to correct the interference by one or more of the following measures:  
—Reorient or relocate the receiving antenna.  
—Increase the separation between the equipment and receiver.  
—Connect the equipment into an outlet on a circuit different from that to which the receiver is connected.  
—Consult the dealer or an experienced radio/TV technician for help.

This device complies with part 15 of the FCC Rules. Operation is subject to the following two conditions:(1) This device may not cause harmful interference, and (2) this device must accept any interference received, including interference that may cause undesired operation.

Any changes or modifications not expressly approved by the party responsible for compliance could void the user's authority to operate the equipment.

This equipment complies with FCC radiation exposure limits set forth for an uncontrolled environment. This equipment should be installed and operated with minimum distance 20cm between the radiator & your body.