

项目名称	OSOTEK智能扫地机G6 (美规版)
版本号	V1.0
设计时间	2022/05/16
物料名称	银星GD系列智能扫地机器人说明书(美规版)
设计师	YL
审核	乐成/濯风
料号	
材质工艺要求	封面：105G 金东太空梭哑粉，正反1专，单面过哑油，4PP 内文：68G 晨明云镜，正反1专，骑钉，44pp
颜色及专色	PANTONE Cool Gray 11 C
尺寸要求	成型尺寸：180x120mm
变更原因	

此页非印刷页面

OSOTEK Robotic Vacuum Cleaner G6 User Manual • 01

Mode d'Emploi de l'Aspirateur Robot OSOTEK G6 • 19

Manual de Usuario del Robot Aspirador OSOTEK G6 • 37



Safety Instructions

Household use only.

IMPORTANT SAFETY INSTRUCTIONS

When using an electrical appliance, basic precautions should always be followed, including the following:

READ ALL INSTRUCTIONS BEFORE USING (THIS APPLIANCE). Failure to follow the warnings and instructions may result in electric shock, fire, and/or serious injury.

WARNING-To reduce the risk of explosion, fire, electric shock, injury:

- Do not use outdoors or on wet surfaces.
- Do not allow to be used as a toy. Close attention is necessary when used by or near children, pets or plants.
- Use only as described in this manual. Use only manufacturer's recommended attachments.
- To provide continued protection against risk of electric shock, connect to properly grounded outlets only.
- Do not use with damaged cord or plug. If appliance is not working as it should, has been dropped, damaged, left outdoors, or dropped into water, return it to a service center.
- Any servicing should be done with the appliance disconnected from the supply circuit.
- Do not pull or carry by cord, use cord as a handle, close a door on cord, or pull cord around sharp edges or corners. Do not run appliance over cord. Keep cord away from heated surfaces.
- Do not unplug by pulling on cord. To unplug, grasp the plug, not the cord.
- Do not handle charger, including charger plug, and charger terminals with wet hands.
- Risk Of Injury. Brush May Start Unexpectedly. Keep the power off Before Cleaning or Servicing.
- Do not put any object into openings. Do not use with any opening blocked; keep free of dust, lint, hair, and anything that may reduce air flow.
- Keep hair, loose clothing, fingers, and all parts of body away from openings and moving parts.
- Use extra care when cleaning on stairs.
- Do not use to pick up flammable or combustible liquids, such as gasoline, or use in areas where they may be present.
- Do not pick up anything that is burning or smoking, such as cigarettes, matches, or hot ashes.
- Do not use without filter in place.
- Turn off all controls before unplugging.
- Prevent unintentional starting. Ensure the switch is in the off-position before connecting to battery pack, picking up or carrying the appliance. Carrying the appliance with your finger on the switch or energizing appliance that have the switch on invites accidents.
- Disconnect the battery pack from the appliance before making any adjustments, changing accessories, or storing appliance. Such preventive safety measures reduce the risk of starting the appliance accidentally.
- Have servicing performed by a qualified repair person using only identical replacement parts. This will ensure that the safety of the product is maintained.

- Do not modify or attempt to repair the appliance or the battery pack (as applicable) except as indicated in the instructions for use and care.
- Before operating this appliance, please clear the area of fragile items and sundries (e.g. vases or plastic bags, etc.). Doing so will help to avoid blocking the robot and reduce the chances of damaging fragile items due to slight collisions.
- Do not use this appliance to clean up toner used in laser printers and copiers, as toner may cause fire or explosion.
- Do not use this appliance to pick up sharp or hard objects, such as glass, nails, screws, or coins, which may damage this appliance.
- Do not place this appliance on unstable surfaces such as chairs or tables to prevent damage or personal injury caused by its falling off. If this appliance malfunctions because of being knocked over or damaged, please contact the authorized service department. Never attempt to disassemble this appliance on your own.
- Do not rinse the charging stock with water.
- Do not use the appliance at ambient temperature above 104°F(40°C) or below 32°F (0°C).
- Please follow the instructions in the manual to operate this product properly. The user is responsible for any loss caused by improper operation.

Battery Pack and Charging

- Recharge only with the charger specified by the manufacturer. A charger that is suitable for one type of battery pack may create a risk of fire when used with another battery pack.
- Use appliances only with specifically designated battery packs. Use of any other battery packs may create a risk of injury and fire.
- When battery pack is not in use, keep it away from other metal objects, like paper clips, coins, keys, nails, screws or other small metal objects, that can make a connection from one terminal to another. Shorting the battery terminals together may cause burns or a fire.
- Under abusive conditions, liquid may be ejected from the battery; avoid contact. If contact accidentally occurs, flush with water. If liquid contacts eyes, additionally seek medical help. Liquid ejected from the battery may cause irritation or burns.
- Do not use a battery pack or appliance that is damaged or modified. Damaged or modified batteries may exhibit unpredictable behavior resulting in fire, explosion or risk of injury.
- Do not expose a battery pack or appliance to fire or excessive temperature. Exposure to fire or temperature above 130°C may cause explosion.
- Follow all charging instructions and do not charge the battery pack or appliance outside of the temperature range specified in the instructions. Charging improperly or at temperatures outside of the specified range may damage the battery and increase the risk of fire.
- Battery charging can only be performed at the ambient temperature between 32°F (0°C) and 104°F (40°C). Excessively high or low temperature may extend the battery charging time, and even damage the battery. The normal charging of this product takes about 5-7 hours, and it is best to perform 1-3 complete charging and discharging processes for the first use, so as to fully activate the battery.
- To safely dispose of the battery pack, remove it from the appliance first.
- To avoid fire hazards, do not dispose of the appliance or the battery pack in a fire, water, or other liquids.
- The Li-ion battery in the appliance needs to be serviced or recycled by an authorized service provider and must be recycled or disposed of separately from household waste.
- Dispose of the battery pack according to your local environmental laws and regulations.
- For use only with CRDA11X.1 Charging Dock.

Transportation

- It is recommended to transport the vacuum cleaner in its original packaging.

SAVE THESE INSTRUCTIONS

FCC STATEMENT

1. This device complies with Part 15 of the FCC Rules. Operation is subject to the following two conditions:

(1) This device may not cause harmful interference, and (2) This device must accept any interference received, including interference that may cause undesired operation.

2. any Changes or modifications not expressly approved by the party responsible for compliance could void the user's authority to operate the equipment.

NOTE: This equipment has been tested and found to comply with the limits for a Class B digital device, pursuant to Part 15 of the FCC Rules.

These limits are designed to provide reasonable protection against harmful interference in a residential installation. This equipment generates uses and can radiate radio frequency energy and, if not installed and used in accordance with the instructions, may cause harmful interference to radio communications. However, there is no guarantee that interference will not occur in a particular installation. If this equipment does cause harmful interference to radio or television reception, which can be determined by turning the equipment off and on, the user is encouraged to try to correct the interference by one or more of the following measures:

Reorient or relocate the receiving antenna.

Increase the separation between the equipment and receiver.

Connect the equipment into an outlet on a circuit different from that to which the receiver is connected.

Consult the dealer or an experienced radio/TV technician for help.

FCC Radiation Exposure Statement

This equipment complies with FCC radiation exposure limits set forth for an uncontrolled environment. This equipment should be installed and operated with minimum distance 20cm between the radiator & your body.

IC Warning

This device contains licence-exempt transmitter(s)/receiver(s) that comply with Innovation, Science and Economic Development Canada's licence-exempt RSS(s). Operation is subject to the following two conditions:

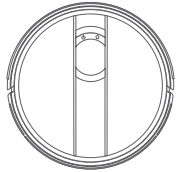
(1) This device may not cause interference. (2) This device must accept any interference, including interference that may cause undesired operation of the device.

RF warning statement:

This equipment complies with IC radiation exposure limits set forth for an uncontrolled environment. This equipment should be installed and operated with minimum distance 20cm between the radiator & your body.

⎓	Direct current
~	Alternating current
⏻	Power On/Off

What's In The Box



Robot Vacuum Cleaner



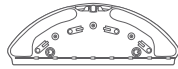
Charging Dock



Power Adapter



Cleaning Tool



Mopping Pad Holder



Washable Mopping Pad



Spare Side Brush



User Manual

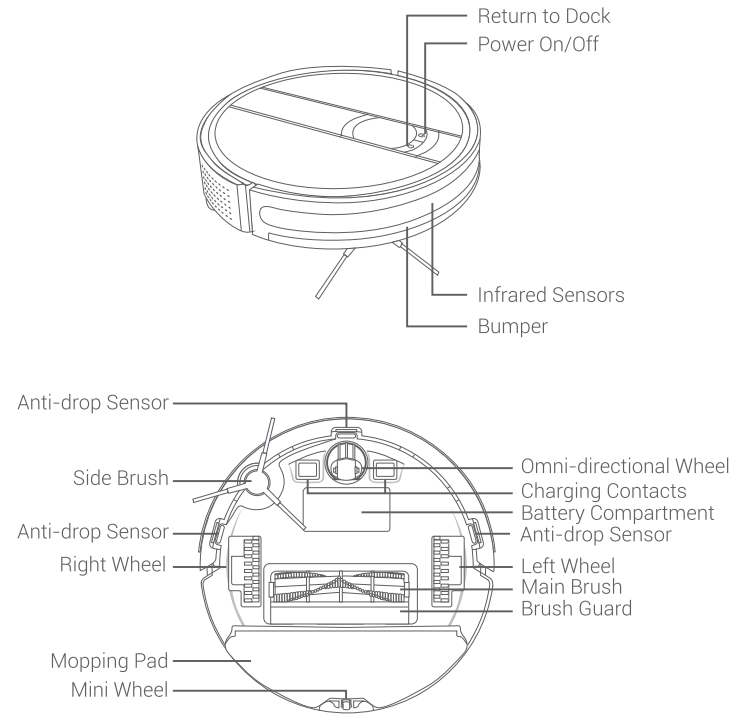
* **Tip:** The robot vacuum cleaner comes equipped with a pre-assembled high-efficiency filter.

Specification

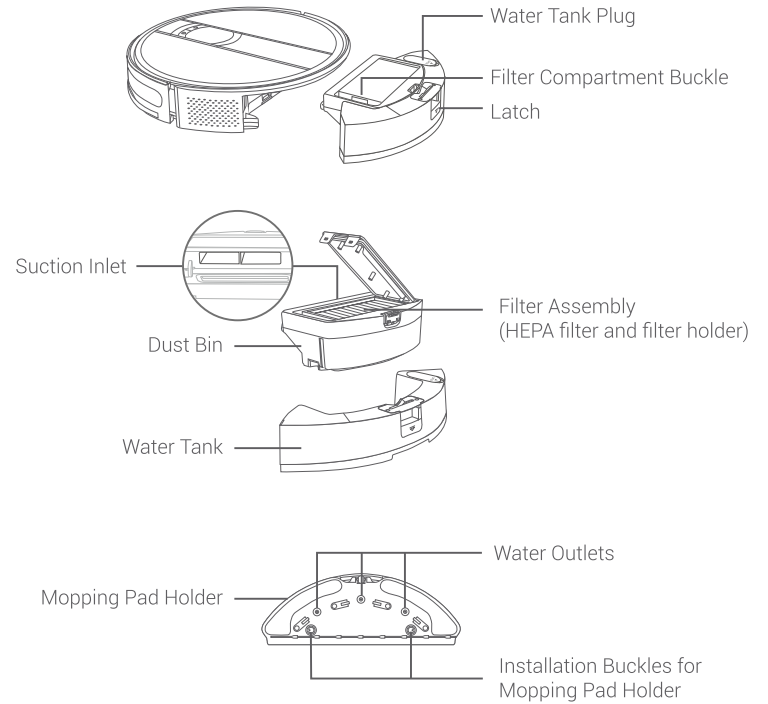
Robot Vacuum Cleaner	
Model	RDA11.A1
Rated Voltage	14.4 V
Rated Power	30 W
Charging Input	19 V $\overline{\text{~}}$ 0.6 A
Unit Dimension	13.4 in x 13.4 in x 3.1 in (340 mm x 340 mm x 78.5 mm)
Unit Net Weight	Approximately 8.05lbs(3.65kg)
Charging Dock	
Model	CRDA11X.1
Rated Input	19 V $\overline{\text{~}}$ 0.6 A
Rated Output	19 V $\overline{\text{~}}$ 0.6 A
Power Adapter	
Model	SA182V-190060U
Input	100-240V~ 50/60Hz 0.4A
Output	19 V $\overline{\text{~}}$ 0.6 A

Know Your Robot Vacuum Cleaner

Robot Vacuum Cleaner

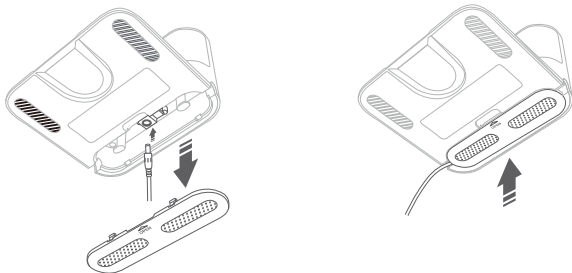


2-in-1 Dust Bin and Water Tank

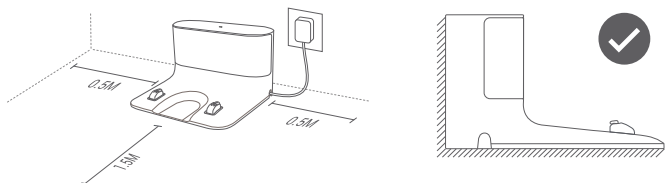


Get Started

1. Open the cover at the bottom of the charging dock, insert one end of the power adapter into the DC-in port, and place the cover back on.



2. Place the charging dock on a flat and hard floor, against a wall, and then plug the power adapter into a working power outlet. Make sure that there are no objects within a 1.5M distance in front of the dock, and a 0.5M distance on the left/right sides of the dock.



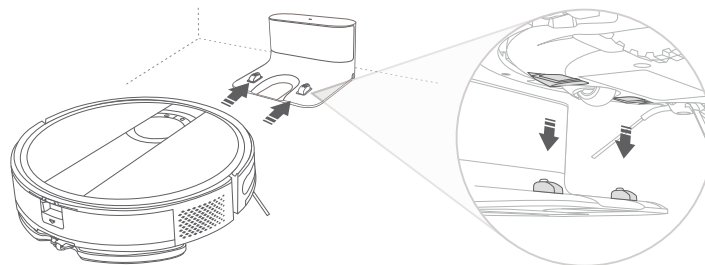
Notes:

- ① Place the charging dock in a place that the robot vacuum cleaner can easily access. Do not place the robot on a carpet or fabric floor surface.
- ② Ensure that the charging dock is always plugged into a power outlet; otherwise, the robot vacuum cleaner will not automatically return to the dock.
- ③ To make sure that the robot vacuum cleaner can be charged normally, do not move the charging dock frequently.

3. Remove all the protective materials on the robot vacuum cleaner.



4. Fully charge the robot vacuum cleaner before using it. To charge the robot vacuum cleaner, manually place it onto the charging dock. Make sure that the charging contacts on the robot are aligned with those on the dock.



*** LED indicators explanations:**

Indicators on the Robot	
Solid White	Battery power $\geq 20\%$
Solid Pink	Battery power $< 20\%$
Solid Red	Malfunction or robot has an issue
Indicator on the Charging Dock	
Solid on	Connect to power
Off	Disconnect power or charge the robot normally

App Downloading And Wi-Fi Connection

Step 1:

Search for the **Smart Life App** on Google Play/ App Store or scan the QR code. Download and install the App onto your smart phone.

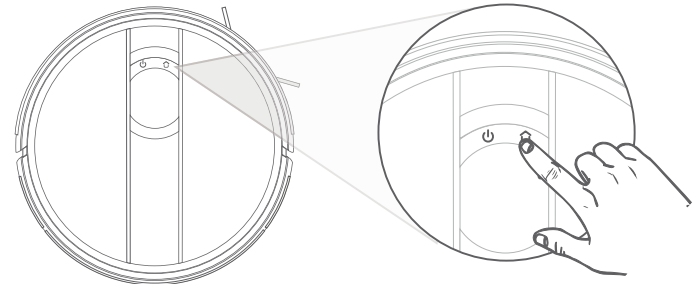


Step 2:

Launch the App, follow the in-app instructions to create an account, and log into your account.

Step 3:

Simultaneously press and hold  and  on the robot vacuum cleaner until you hear a beep from the robot. The robot is now ready for Wi-Fi connection.



LED Indicators on the Robot	
Flashes White Slowly	AP Mode
Flashes White Quickly	EZ Mode
Solid White	Wi-Fi Connected

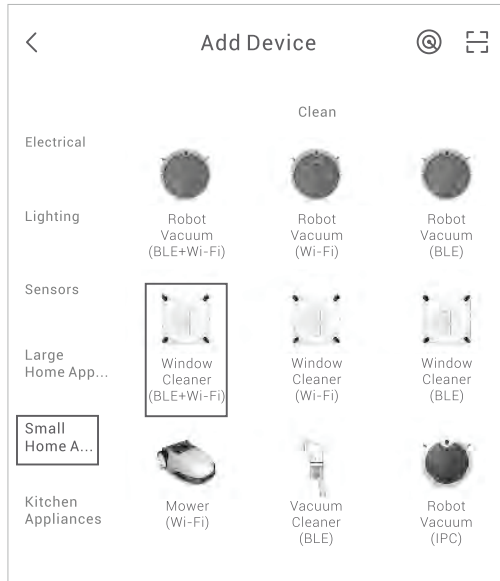
Step 4:

Tap the "+" icon on the upper right corner of the homepage to start.



Step 5:

Select **Small Home Appliance** and **Window Cleaner(BLE+Wi-Fi)**. Then, follow the in-app instructions to connect the robot vacuum cleaner to Wi-Fi.



Important:

Before the Wi-Fi connection can be made, please make sure the robot vacuum cleaner and your Wi-Fi network are both operational and ready to connect.

For the robot vacuum cleaner:


- Make sure the robot vacuum cleaner has enough power and has been turned on.
- Make sure the indicators on the robot vacuum cleaner are flashing white slowly.

For the Wi-Fi network:

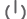
- The password for the Wi-Fi network must be input correctly.
- Do not use VPN (Virtual Private Network) or a proxy server.
- Your router must support 802.11b/g/n and IPv4 protocols.
- The frequency band of your router should be 2.4 GHz. If you have a dual-band router, please select the 2.4 GHz network because the robot doesn't support a 5 GHz network.
- If the robot is connecting to a hidden network, please make sure that you enter the right Wi-Fi name (case-sensitive).
- If you are using a wireless extender or repeater, make sure the network name and password are the same as the main network.
- Please set the firewall and port of your router to allow the robot to connect with the App's server.
- The network should be a WPA or WPA 2 network with TKIP, PSK, and AES/CCMP encryption.

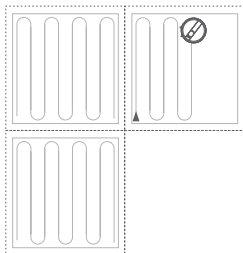
Operation Guide

1. Power On/Off

Press and hold the button  for 3 seconds to power on the robot vacuum cleaner. Press and hold the same button again for 3 seconds to power it off.

2. Auto Cleaning Mode


After powering on, press the button  to start auto cleaning. The robot vacuum cleaner will automatically clean the accessible space in a "bow" shape until it finishes the cleaning.

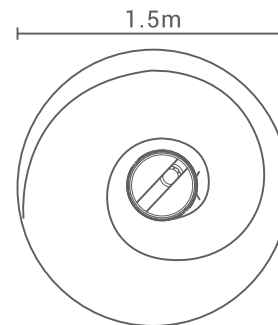


Tips:

- ① If the battery power of the robot is too low, the robot can not start auto cleaning. Please charge it first.
- ② Tidy up all the power cords in the area or wires before the robot starts cleaning.
- ③ In Auto Cleaning Mode, if the cleaning area is smaller than 10 m², the robot will clean the area two times by default.
- ④ Do not move or unplug the charging dock when the robot is working; otherwise, the robot won't be able to return to the dock.

3. Spot Cleaning Mode

Move the robot cleaner to the area that needs intensive cleaning. Press the button  twice to start the spot cleaning. The robot will clean a circular area with a diameter of 1.5 meters.



Tip:

The robot vacuum cleaner won't start spot cleaning when it's charging on the base.

4. Pause Cleaning

When the robot vacuum cleaner is working, you can press any button to pause cleaning.

5. Suction Power Adjustment (Only supported in the App)

There are 4 suction power levels for you to adjust in the App, including **Quiet**, **Standard**, **Power**, and **Max**.

6. Remote Controlling of the Robot (Only supported in the App)

You can also remotely guide the robot through the App to go to a specified area and clean. Explore more in the App.

7. Sleep Mode


If the robot is idle for 10 minutes, it will enter sleep mode. If the robot remains in sleep mode for 12 hours, it will automatically power off. When the robot is fully charged, it will enter sleep mode after 10 minutes.

8. Charge


Option 1

The robot vacuum cleaner will automatically return to the dock after the cleaning task is finished.

Option 2

When the robot is pausing, you can press the  button to let it return to the dock. If the robot is getting stuck or can't find its way to the dock, please manually move it to the dock.

9. Reset

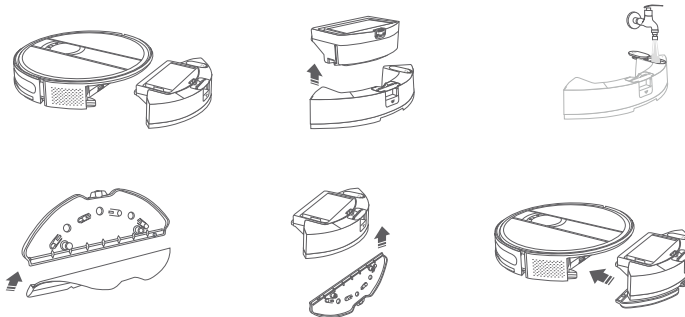
When the robot is in Standby Mode, you can press and hold  for 15 seconds to reset it. After resetting, the robot will erase all the programmed maps and the default settings, including the virtual line.

10. 2-in-1 Vacuuming and Mopping Mode

Step 1:

Install the 2-in-1 vacuuming and mopping assembly.

- ① Take out the 2-in-1 dust bin and water tank from the robot.
- ② Remove the dust bin, then open the water tank plug, and add water into the tank.
- ③ Attach the mopping pad to the mopping pad holder, then install the holder to the bottom of water tank.
- ④ Wipe the residual water, and then put the dust bin and water tank back into the robot.



Step 2:

Select a cleaning mode to start vacuuming and mopping the floor. You can adjust the water output volume in the App as needed.

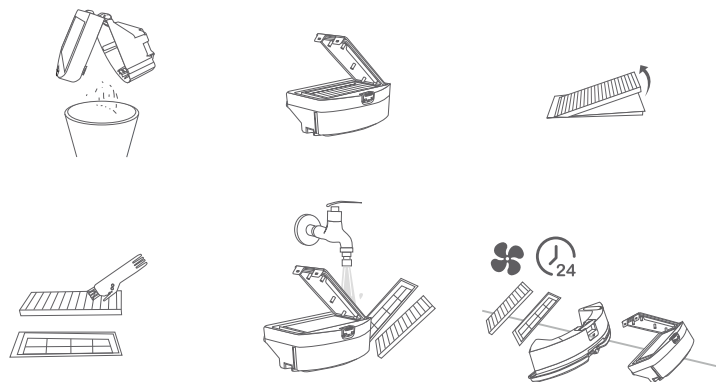
Notes:

- ① Do not add sanitizer into the water tank.
- ② Do not allow the robot to clean on the carpet or fabric floor surfaces. You can use a magnetic strip to set a virtual wall around your carpets and rugs.
- ③ When the robot is idle or getting charged, please remove the mopping pad holder.
- ④ To avoid damaging your wooden floors, please remove the mopping pad assembly immediately after the robot has finished cleaning.
- ⑤ Please remove the mopping pad swiftly after the robot pauses for an extended period of time or finishes the mopping task.

Cleaning And Maintenance

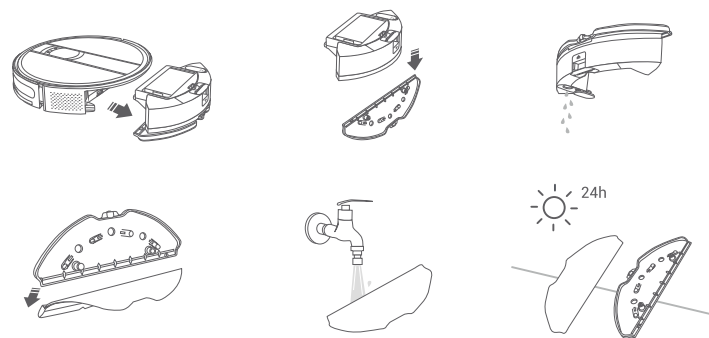
1. 2-in-1 Dust Bin and Water Tank

- ① Remove the 2-in-1 dust bin and water tank from the robot. Then, open the dust bin and empty it into your home trash bin.
- ② Open the filter compartment in the dust bin and take out the filter assembly.
- ③ Use the cleaning tool we provided to clean the HEPA filter and filter holder. If needed, you can rinse the water tank, dust bin, and filter assembly with water.
- ④ After cleaning, please completely air-dry all the parts and reinstall them into the robot vacuum cleaner.



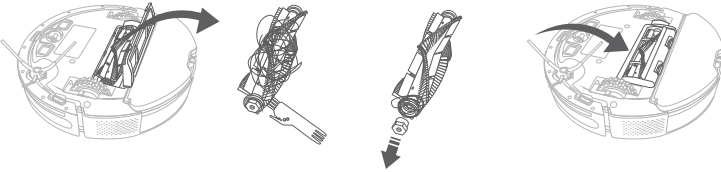
2. Mopping Pad Holder and Mopping Pad

We recommend removing the mopping pad holder from the robot and cleaning the parts on it after each use. Empty the water tank, wash the mopping pad, and air-dry it thoroughly to avoid mold or odor.



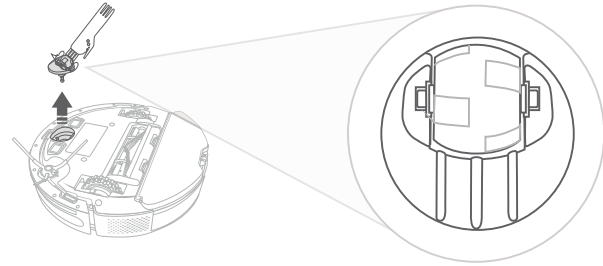
3. Main Brush

- ① Remove the main brush guard and take out the main brush.
- ② Use the cleaning tool to clean the main brush and cut off the hair wrapped around it with the blade on the brush.
- ③ Take out one end of the main brush and remove the hair wrapped on it.
- ④ Install them back into the robot vacuum cleaner correctly.



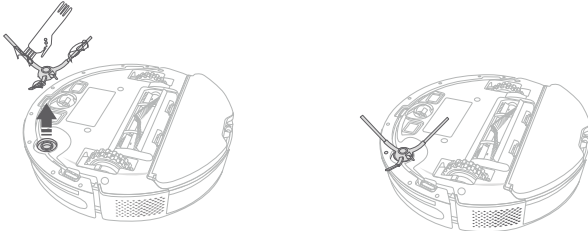
5. Omni-directional Wheel

Since hair or dust particles can easily become entangled and embedded in the wheel, clean it regularly or as needed. Pull out the Omni-directional wheel and clean the hair wrapped around it. After cleaning, push the wheel back into place until you hear it click.



4. Side Brush

Take out the side brush from the robot vacuum cleaner and clean the hair or foreign objects lodged in it. You can use a damp cloth to wipe the brush as needed. After cleaning, please install it tightly back onto the mount.

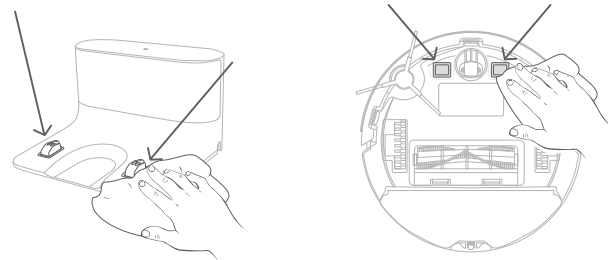


Tip:

We recommend replacing the side brush with a new one every 3 to 6 months.

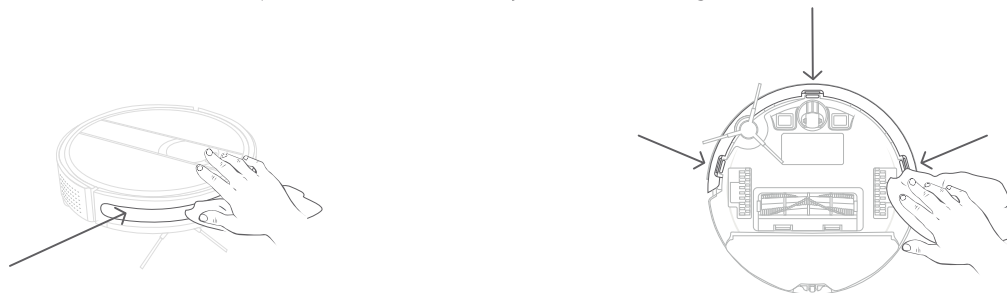
6. Charging Contacts

Please regularly use a soft dry cloth or the cleaning brush to wipe the charging contacts on the charging dock and at the bottom of the robot.



7. Infrared Sensors and Anti-drop Sensors

Please clean the sensors on the robot vacuum cleaner and wipe the dust off with a soft dry cloth or the cleaning brush.



Troubleshooting Guide

Please follow the troubleshooting instructions. If the issue is still not resolved after troubleshooting, please directly contact the manufacturer.

Issue	Solution
The robot vacuum cleaner can't start working.	<ul style="list-style-type: none">• Ensure the robot has enough power.• Please reset the robot and try again.
The robot vacuum cleaner stops working suddenly.	<ul style="list-style-type: none">• Check if the robot is stuck or blocked by any obstacles.• Check if the battery power is too low.• Please power off the robot and power on it again after 3 seconds.

<p>The robot can't perform the scheduled cleaning.</p>	<ul style="list-style-type: none"> • Make sure the robot is powered on. • Go to the App to set the time and schedule. • Ensure the scheduled time has been set correctly. • Check if the battery power of the robot is too low to start cleaning. • The robot will not start scheduled cleaning if it's already working.
<p>The suction power of the robot is too weak.</p>	<ul style="list-style-type: none"> • Check the suction inlet for any obstructions. • Empty the dust bin. • Clean the HEPA filter and filter holder. • Check if the filter has gotten wet because of water or other liquids on the floor. The filter needs to be thoroughly air-dried before use.
<p>The robot can't be charged.</p>	<ul style="list-style-type: none"> • Check if the charging dock is properly connected to a power outlet and if the indicator on it lights up. • The indicator on the charging dock will be off when the base successfully charges the robot . • If the indicator on the dock always lights up and the robot does not respond when they are contacting each other, then please wipe the charging contacts on both of them with a dry cloth and then try again.
<p>The robot can't return to the charging dock.</p>	<ul style="list-style-type: none"> • Clear objects from and empty the space within a 1.5 m distance in front of and a 0.5 m distance on both sides of the charging dock. • Make sure the robot starts cleaning from the charging dock and the dock is not moved when the robot is working. • Please wait patiently for the robot to return to the charging dock. • Clean the charging contacts on the robot and dock.

<p>The main brush doesn't rotate.</p>	<ul style="list-style-type: none"> • Clean the main brush. • Check if the main brush and the guard are installed correctly.
<p>There is no water coming out from the water tank when the robot is mopping the floor.</p>	<ul style="list-style-type: none"> • Make sure there is enough water in the water tank. • Check if the mopping pad holder and the mopping pad are installed correctly. • Check if the water outlets are blocked. Gently remove blockages if there are any.
<p>The robot can't connect to the Wi-Fi network.</p>	<ul style="list-style-type: none"> • Make sure your router supports 2.4 GHz network and 802.11 b.g.n frequency bands. The robot doesn't support 5 GHz networks.
<p>The battery is abnormal. Please check for the solution in the user manual or the App.</p>	<ul style="list-style-type: none"> • Please open the battery compartment and check if the battery pack is connected correctly. If there is no issue, please try to restart the robot. • The temperature of the battery pack is too low or too high. Please wait until the temperature returns to normal (0°C~40°C / 32°F~104°F) before using the robot again.
<p>The left or right wheel is abnormal. Please check for the solution in the user manual or the App.</p>	<ul style="list-style-type: none"> • Check the wheel for unwanted foreign objects and remove them if there are. If there is no issue, please try to restart the robot.
<p>The side brush is abnormal. Please check for the solution in the user manual or the App.</p>	<ul style="list-style-type: none"> • Check if the side brush is stuck. Carefully dislodge the brush if it is stuck. If there is no issue, please try to restart the robot.

<p>The fan in the robot is abnormal. Please check for the solution in the user manual or the App.</p>	<ul style="list-style-type: none"> • Check if the inlet for the fan is stuck. Carefully dislodge the fan if it is stuck. If there is no issue, please try to restart the robot. • Please clean the dust bin and the filter. Then, restart the robot.
<p>The main brush is abnormal. Please check for the solution in the user manual or the App.</p>	<ul style="list-style-type: none"> • Please remove and clean the main brush and the guard. Please clean the suction inlet, and restart the robot.
<p>The water pump is abnormal. Please check for the solution in the user manual or the App.</p>	<ul style="list-style-type: none"> • Please clean the water tank, water pump connection port, water pump port, water outlets, and mopping pad assembly. After cleaning, please install the components and restart the robot.
<p>The robot can't be charged. Please clean the charging contacts.</p>	<ul style="list-style-type: none"> • Check if the charging contacts on the robot and dock have been blocked by dirt or debris. If they are blocked, then please use a dry cloth to clean them. • Check if the battery pack in the compartment is installed correctly.

Warrant Information

THIS LEGAL WARRANTY NOTICE INFORMS YOU ABOUT YOUR RIGHTS UNDER THE LEGAL WARRANTY. FOR A FULL UNDERSTANDING OF YOUR RIGHTS, YOU ARE INVITED TO CONSULT THE LAWS OF YOUR COUNTRY, PROVINCE, OR STATE.

LIMITED PRODUCT WARRANTY

The Products shall be free from defects in materials and workmanship under normal use and use in accordance with the respective Product user manual, during the Warranty Period.

The warranty only covers defects in material or workmanship under normal use and use in accordance with the respective product user manual, during the Warranty Period.

The repairs under warranty may only be carried out by an authorized service center.

Damages arising from non-compliance with the instructions related to the use of the Product are excluded.

When making a claim under the warranty, Purchase Order No. /Invoice/SN must be submitted.

The warranty will not apply in cases of:

I. Failures caused by:

- 1) Use of an OSOTEK product that is not in accordance with the "Usage Restrictions" in the User Manual.
- 2) Use of an OSOTEK product for cleaning white ashes, sand, and other non-household garbage.
- 3) Use of an OSOTEK product for decoration, ornament, or cleaning in a commercial environment.
- 4) Use of an OSOTEK product for cleaning in an environment with special adsorption chemicals, metal, or other microparticles.
- 5) Use of an OSOTEK product in an environment with corrosive objects.

ii. The product you purchased is a prototype, the model or SN of which does not follow the SN coding rule for a brand-new complete machine.

Please consult us if you are unclear about these terms.

E-mail:

North America: support-us@osotek.com

EU: support-eu@osotek.com

Asia: support-ap@osotek.com

Other Area: support-global@osotek.com

Consignes De Sécurité

Usage Domestique seulement.

IMPORTANTES MESURES DE SÉCURITÉ

L'utilisation d'un appareil électrique demande certaines précautions:

LIRE TOUTES LES INSTRUCTIONS AVANT DE FAIRE FONCTIONNER (CET APPAREIL). Le non-respect des mises en garde et des instructions peut causer des chocs électriques, des incendies et/ou des blessures graves.

AVERTISSEMENT-Pour réduire les risques d'incendie, de choc électrique ou de blessure:

- Ne pas exposer à la pluie, Ranger à l'intérieur.
- Ne pas permettre aux enfants de jouer avec l'appareil. Une attention particulière est nécessaire lorsque l'appareil est utilisé par des enfants ou à proximité de ces derniers.
- N'utiliser que conformément à cette notice avec les accessoires recommandés par le fabricant.
- Pour éviter tout risque de choc électrique, ne branchez qu'à des prises mises à la terre correctement.
- Ne pas utiliser si le cordon ou la fiche est endommagé. Retourner l'appareil à un atelier de réparation s'il ne fonctionne pas bien, s'il est tombé ou s'il a été endommagé, oublié à l'extérieur ou immergé.
- Toute maintenance ne doit être effectuée qu'après avoir débranché la prise de l'appareil.
- Ne pas tirer soulever ni trainer l'appareil par le cordon. Ne pas utiliser le cordon comme une poignée, le coincer dans l'embrasure d'une porte ou l'appuyer contre des arêtes vives ou des coins. Ne pas faire rouler l'appareil sur le cordon. Garder le cordon à l'écart des surfaces chaudes.
- Ne pas débrancher en tirant sur le cordon. Tirer plutôt la fiche.
- Ne pas manipuler le chargeur, y compris la prise du chargeur, et les bornes du chargeur avec les mains mouillées.
- Risque de Blessure. La Brosse Pourrait s'Activer De Façon Inattendue. Assurez-vous qu'il ne soit pas alimenté Avant de le Nettoyer ou procéder une Maintenance.
- N'insérer aucun objet dans les ouvertures. Ne pas utiliser l'appareil lorsqu'une ouverture est bloquée. S'assurer que de la poussière, de la peluche, des cheveux ou d'autres matières ne réduisent pas le débit d'air.
- Maintenir les cheveux, les vêtements amples, les doigts et toutes les parties du corps à l'écart des ouvertures et des pièces mobiles.
- User de prudence lors du nettoyage des escaliers.
- Ne pas aspirer des liquides inflammables ou combustibles, comme de l'essence, et ne pas faire fonctionner dans des endroits où peuvent se trouver de tels liquides.
- Ne pas aspirer de matières en combustion ou qui dégagent de la fumée, comme des cigarettes, des allumettes ou des cendres chaudes.
- Ne pas utiliser l'appareil si le sac à poussière ou le filtre n'est pas en place.
- Éteignez toutes les commandes avant de débrancher.
- Éviter une mise en marche accidentelle. S'assurer que l'interrupteur est à la position arrêt avant de raccorder la batterie, de lever ou de déplacer l'appareil. Transporter l'appareil en gardant un doigt sur l'interrupteur, ou mettre sous tension un appareil dont l'interrupteur est à la position marche peut causer un accident.
- Retirer la batterie de l'appareil avant d'effectuer des réglages, changer les accessoires ou ranger l'appareil. Ces mesures de sécurité ont pour but d'éviter une mise en