

Antenna specification

Version: V 1.0

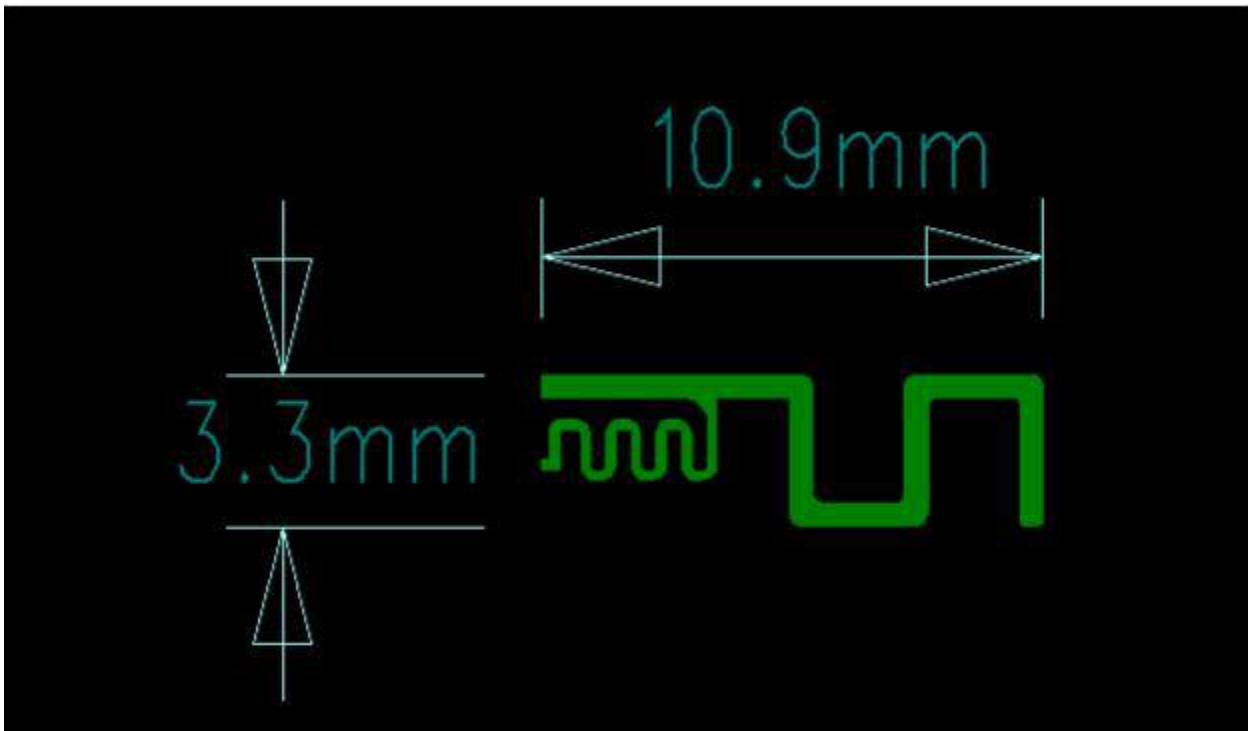
Updated date: September 06, 2023

Shenzhen Yilian Internet of Things Co.,
LTD

The specifications of this product are subject to change without prior notice.

Shenzhen, the Internet of things co., LTD., without notice, the right to change the specifications and materials, at the same time due to the trust of the quoted material damage (including consequence damage), including but not limited to printing errors and other errors related to the publication, the Internet of things will not be liable.

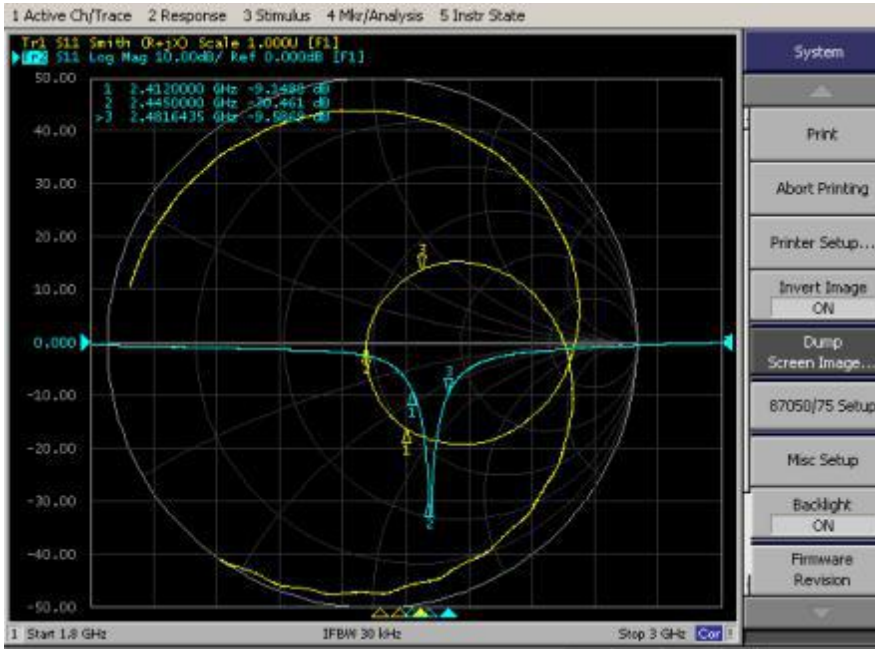
1. Antenna size (dimensions are: mm)



2. Antenna specifications and parameters

order number	Parameter item	define
1	Center operating frequency	2441MH z
2	Work bandwidth	2400---2480Mhz
3	Data transmission, transmission rate	1Mbps
4	Antenna type	On-board PCB antenna (the default)
5	antenna gain	- 1.1dBi
6	impedance	50oh m
7	Modulation type	GF SK

5 The debugging frequency of the antenna network



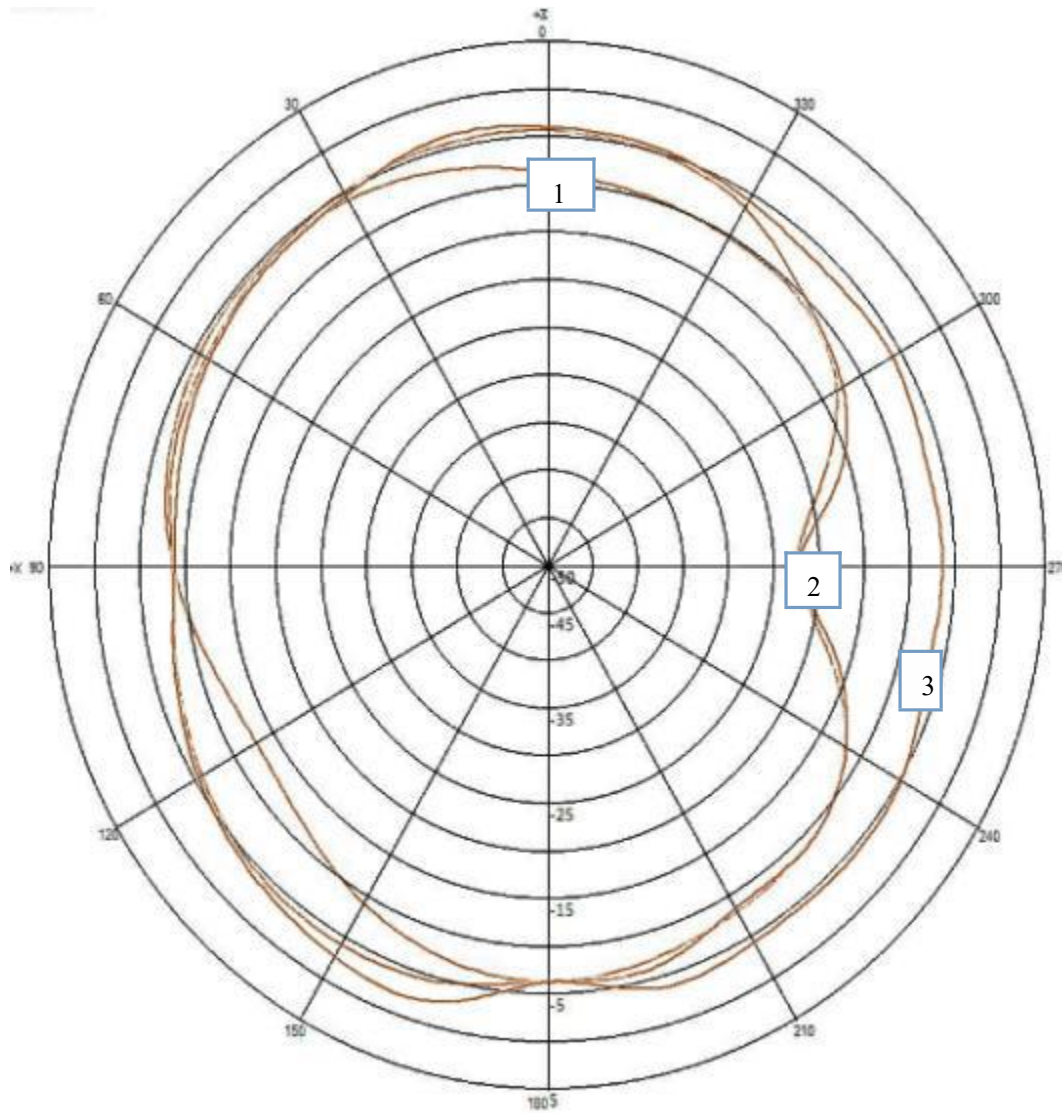
The echo loss with the antenna frequency of 2.445GHz is -30dB, and the impedance is around 50. Bandwidth is 80m

6. Efficiency of the antenna testing

passive test for 2.4g			
Freq (MHz)	Gain (dB)	Efficiency (dB)	Efficiency (%)
2400	-2.125670268	-6.512982178	22.32039018
2410	-1.839793728	-6.350555158	23.17098436
2420	-1.64029678	-6.246810655	23.7311582
2430	-1.328848956	-5.925152964	25.5555189
2440	-1.132319256	-5.799553085	26.30538676
2450	-1.107960046	-5.849299265	26.00579133
2460	-1.316358881	-6.006721723	25.08001707
2470	-1.579335991	-6.245067499	23.74068524
2480	-1.962892418	-6.454212193	22.62448909
2490	-2.50538583	-6.753449407	21.11811056
2500	-3.031894388	-7.252236224	18.8267943

7, 2D graph

- (1) XY -Plane
- (2) ZY -Plane
- (3) ZX -Plane



8, 3D graph

