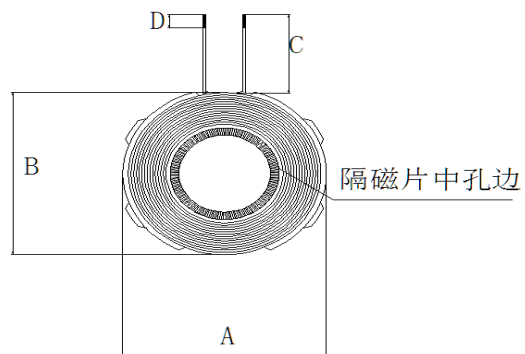


Antenna Specifications

1. Model number: RX-PG02
2. Manufacture: SHENZHEN SHI HAISHENGXIN SEA. TECHNO LOGO.LTD.
3. Floor plan: unit: MM



A	B	C	D
24.60	20.50	10.0	3.0
±1	±1	±2	±1.5

4. Product parameters

Antenna Gain: 0dBi

Line diameter: $\Phi 0.08 \times 24P$

Number of turns: 12

