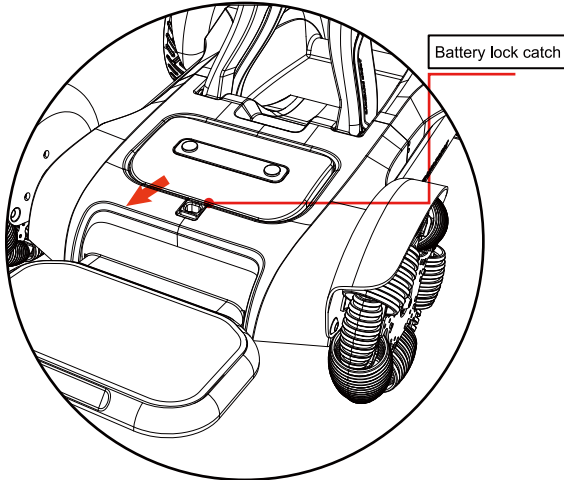


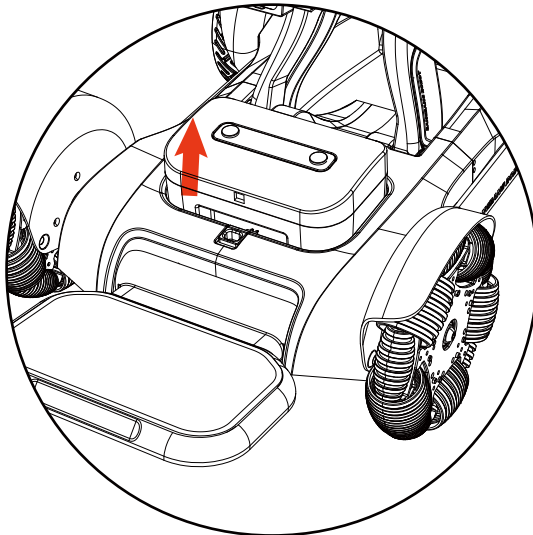
## 4.4 Battery

### 4.4.1 Battery removal

- 1 • Open the battery lock catch on the Electric wheelchair chassis

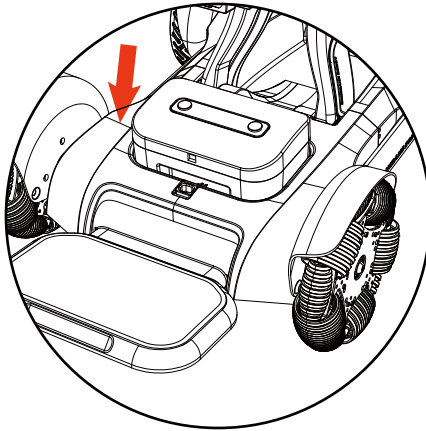


- 2 • Take out the battery upwards

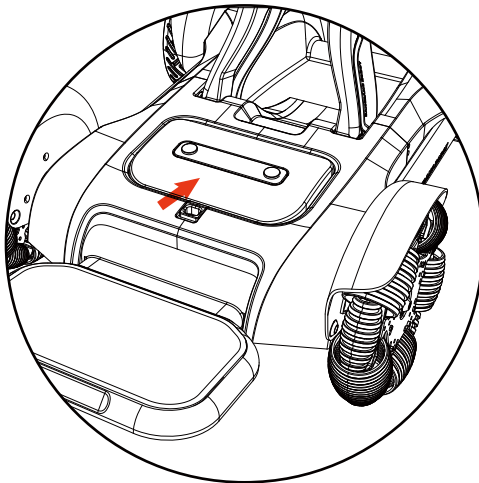


## 4. 4. 2 Replacement of battery

- 1 • Place the battery into the battery slot

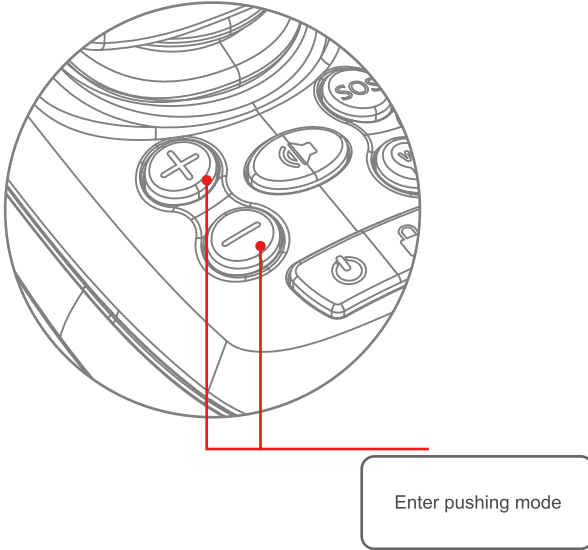


- 2 • Close the battery lock catch



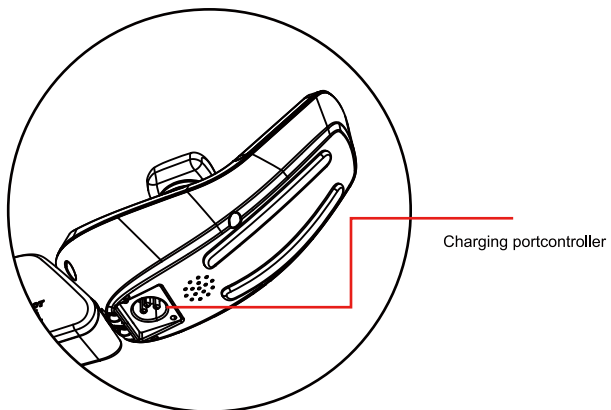
## 4.5 Switch to pushing mode

- 1 • Press '+' key and '-' key at the same time to enter pushing mode, and wing the rocker can quit pushing mode

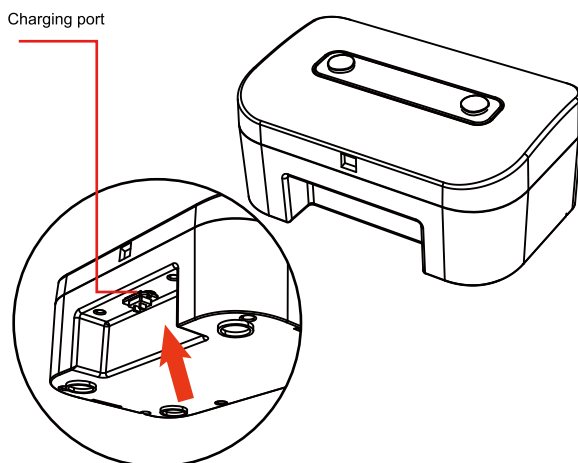


## Charging of Electric wheelchair

Charging method I: Connect the charger, and plug the charger to the port below the controller



Charging method II: Take out the battery box, and plug the charger to the charging port of the battery box



# 05 / Maintenance and troubleshooting

## 5.1 Daily spot inspection and maintenance scheme

- Regularly (weekly or monthly, depending on the use frequency) check the connecting parts, such as screws and nuts, etc. of the frame for loosening, falling and corrosion, etc.;
- Regularly check the movable joint parts for jam and falling, etc.;
- Regularly check the tires for aging and serious wear, etc.;
- During use of the Electric wheelchair, in case of rain or wet weather, the Electric wheelchair shall be wiped dry as soon as possible to prevent rust due to dampness;
- Solarization of the Electric wheelchair under high temperature weather shall be avoid.

## 5.2 Troubleshooting

When you call after-sales service at 4000-400-882 for repairing, please provide the fault code.

For the function of built-in information diagnostor of the product, the displayed diagnostic code can react the abnormalities.

Fault code	Abnormal state	
E1	Key abnormality	Fault alarm
E2	Rocker abnormality	Fault alarm
E3	GPRS fault	Fault alarm
E4	Battery fault	Fault alarm
E5	Relay fault	Fault alarm
E6	Equipment loss	Fault alarm
E7	Bluetooth fault	Fault alarm
E8	Motor fault	Fault alarm
E9	Driver fault	Fault alarm
EA	FLASH fault	Fault alarm

## 5.3 Instruction of safety warning

Warning voice	Corresponding scenario
Enter novice mode	Press the key for novice mode
Quit novice mode	Press the key for novice mode again
Alarm	Keep a long press of SOS key
Lock	The default boot mode is lock mode, and the non lock to lock state transition
Unlock	Switch locking status to non-locking status
Wireless remote mode	Operate by the control key on the remote
Quit remote control mode	Operate by the control key on the remote
fold	Keep a long press of horn key and SPD- key at the same time
Expand	Keep a long press of horn key and SPD+ key at the same time
Upgrade mode	When the APP detects new version, click to upgrade
Upgrade finished	It will be triggered after single module is upgraded
Upgrading	The equipment is upgrading
Attention, reserve	Reserving, warning tone
Powering on tone	Power on, and the powering on tone will ring after 3 seconds
Charging	Charging
Charging completed	It will be triggered after charging is completed
Band-type brake open	The band-type brake of the equipment opens
Power off tone	Power off, and the powering off tone will ring after 3 seconds
Equipment bumpiness	It will be triggered for equipment bumpiness
Equipment slant	It will be triggered when the equipment is under slant, the angle of left and right, front and rear exceeds 5°
Sharp bend	It will be triggered when the equipment is under sharp bend
Upgrade failed	There is something wrong during upgrading

Warning voice	Corresponding scenario
Version V1.0	Voice version
Lower power, please charge	The battery life is lower than 20%, and it will be triggered in each minute
Stop Electric wheelchair folding	Stop Electric wheelchair folding
Stop Electric wheelchair expanding	Stop Electric wheelchair expanding
Pushing mode	Press the "+" and "-" keys simultaneously
Quit pushing mode	Push the rocker at will to quit mode under pushing mode

## 5.4 Production date and service life

- The service life of this product is within 5 years from the date of delivery. Please use it within the period of validity. Do not use it beyond the service life to avoid accidents.
- Refer to product label for date of production

## 5.5 Clean product

- Cleaning of Electric wheelchair: Please use clean and soft cloth to swipe the surface of the Electric wheelchair

# 06 / APP operation guide of scooter

Scan the QR code on the right to download APP



## 6.1 Status page of the Electric wheelchair





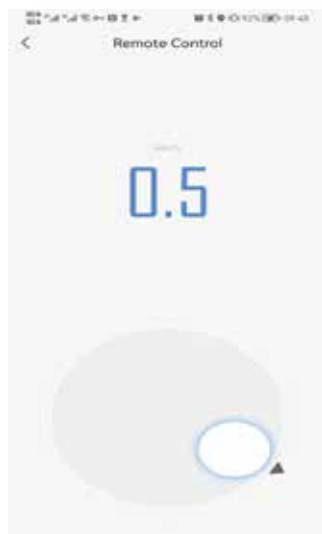
## 6.2 Remote folding control of the Electric wheelchair



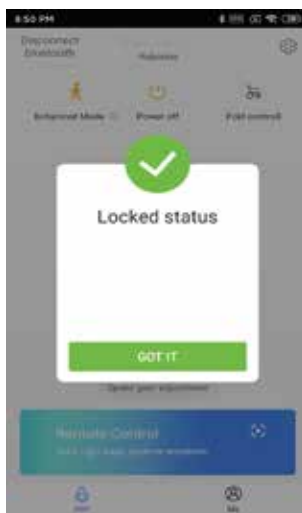
## 6.3 Remote speed gear control of the Electric wheelchair



## 6.4 Remote control mode of the Electric wheelchair



## 6.5 Remote locking mode of the Electric wheelchair



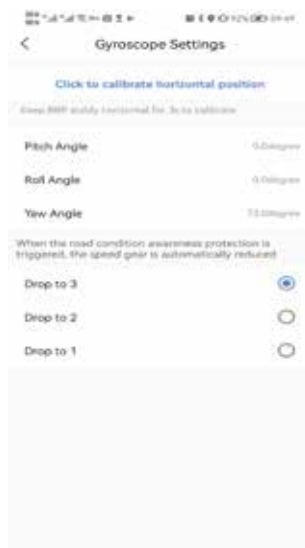
## 6.6 Driving parameter setting of the Electric wheelchair



## 6.7 Voice setting of the Electric wheelchair



## 6.8 Gyro setting



## 6.9 Battery information



## 6.10 Electric wheelchair App version upgrade



# 07 / Instruction to Electric wheelchair product service

## 7.1 Quality warranty dictionary and period for wearables

List of wearables	"Three guarantees" term	Range of "three guarantees"
Roller of omnidirectional wheel	1,200km or 6 months (the earlier one shall prevail)	The roller has degumming or slip
Driving wheel	1,200km or 6 months (the earlier one shall prevail)	The surface of the tire cracks
Cushion	3 months	The issues of fading or sick seam, etc., due to non-human factor
Backrest	3 months	The issues of fading or sick seam, etc., due to non-human factor
Safety belt	3 months	The issues of fading or sick seam, etc., due to non-human factor
Key	3 months	3 months
Enclosure and pedal cushion	Not in the range of warranty	

## 7.2 Service obtaining

In case of warranty services are required, users can directly contact the authorized service agencies or log in the official web of the Company of [WWW. Bangbangrobotic.com](http://WWW.Bangbangrobotic.com) to leave message in the page or service support or call official after service at 4000-400-882 to contact us, We will arrange after-sales technicians to serve.

When users apply for warranty, please provide effective proof of purchase and "three guarantees" certificate. During product purchase, users shall ask the distributor for invoice with complete information and well keep that. If the contents of the invoice do not comply with the products, or they are modified or cannot be clearly identified, the invoice will be deemed as invalid. If the product has been repaired or replaced, users shall well keep corresponding maintenance or replacement record.

In the case that the user cannot provide the above documents, if we can confirm that the product or part is still within the warranty period, we can also provide warranty for the user, but the above contents are not our obligation. When users apply for warranty service, they need to follow some of our necessary procedures, including providing necessary relevant information and following specific identification and problem solving steps.

Excepting for specified herein, warranty services are provided the authorized service agency of relevant products. In case of multiple authorized service agencies, users can select a near one.

Excepting for the Company instructs otherwise, product replacement or product return is generally conducted by the distributor of the product. In case of replacement or return, you shall submit the product to the distributor, the distributor will replace or return for you in accordance with the process.

In this document, distributor means the merchants provide product to the users by sales or other methods. Shanghai Bangbang Robot Co., Ltd., authorized service agencies and distributors providing warranty in accordance with the regulations of this document are collectively called as "service provider".

## 08 / Disclaimer

Content of the Product Manual is the intellectual property of Shanghai BangBang Robotics Co., Ltd. (hereinafter referred to as the "Company") and copyright is reserved by the Company. All parts of the Products, including accessories and software, are owned by the Company. Without written consent of the Company, no one shall copy, extract or translate to other languages the Manual or any content included in any form. The Company carefully compiles the Product Manual with a sense of responsibility for users, but does not guarantee completeness or accuracy of its content. The Product Manual, as a pure technical document, includes no implied content or content with oblique reference to any third party and assumes no responsibility for understanding ambiguity by the users for typo reasons. In the case of direct or indirect loss of information or career termination caused by the Product Manual or all the information on the products mentioned inside, the Company bears no responsibility in this regard.

In use of all the products of Shanghai BangBang Robotics Co., Ltd., the users shall strictly follow the Product Manual and instructions for use on the Company's official website ([www.bangbangrobotics.com](http://www.bangbangrobotics.com)) to operate the Robot and not violate any prohibition marked in the Product Manual in the process of using the Robot. In the case of physical injury or property damage to the users or third parties caused by their operation without strictly abiding by the instructions for use or in violation of the prohibitions marked in the Product Manual, the above-mentioned actors shall bear corresponding legal responsibilities.

As the Company keeps improving and updating the Products, it's necessary to regularly log onto its official website to inquire latest instructions for use and use conditions or contact the distributor for the latest user manual. The Company reserves the right to revision to the Product Manual without further notice.

Right to ultimate interpretation reserved by the Company.



Shanghai BangBang Robotics Co., Ltd.

ADD:Room 501, Building 3, No.188 Zhongchen Road, Songjiang

District, Shanghai

Tel.: 0086213777720

Email: [info@bangbangrobotics.com](mailto:info@bangbangrobotics.com)

Website: [www.bangbangrobotic.com](http://www.bangbangrobotic.com)



Kingsmead Service B.V

ADD: Zonnehof 36,2632 BE, Nootdorp, Netherland

TEL:0031(0)64657 1005

