



Confidential Information

# Welletronics Communication Technology

Welletronics Communication Technology Limited

## Welletronics Communication Technology Limited



### Product specification

customer	Xi Lai Xi	Project type	0E10-BT antenna -R
WTT code	799-017-01B01	Frequency band	2400MHz—2480MHz
Design		The version number	R:A
Confirm		Sign the sample date	2022. 08. 30
Customer confirmation :			
Welletronics Communication Technology			

WTT/QP26-08/A.0



# Catalog

The cover..... 1

Directory..... 2

Electrical aracteristics .....4

The 2D drawings.....5

Full-scale measurement report..... 6

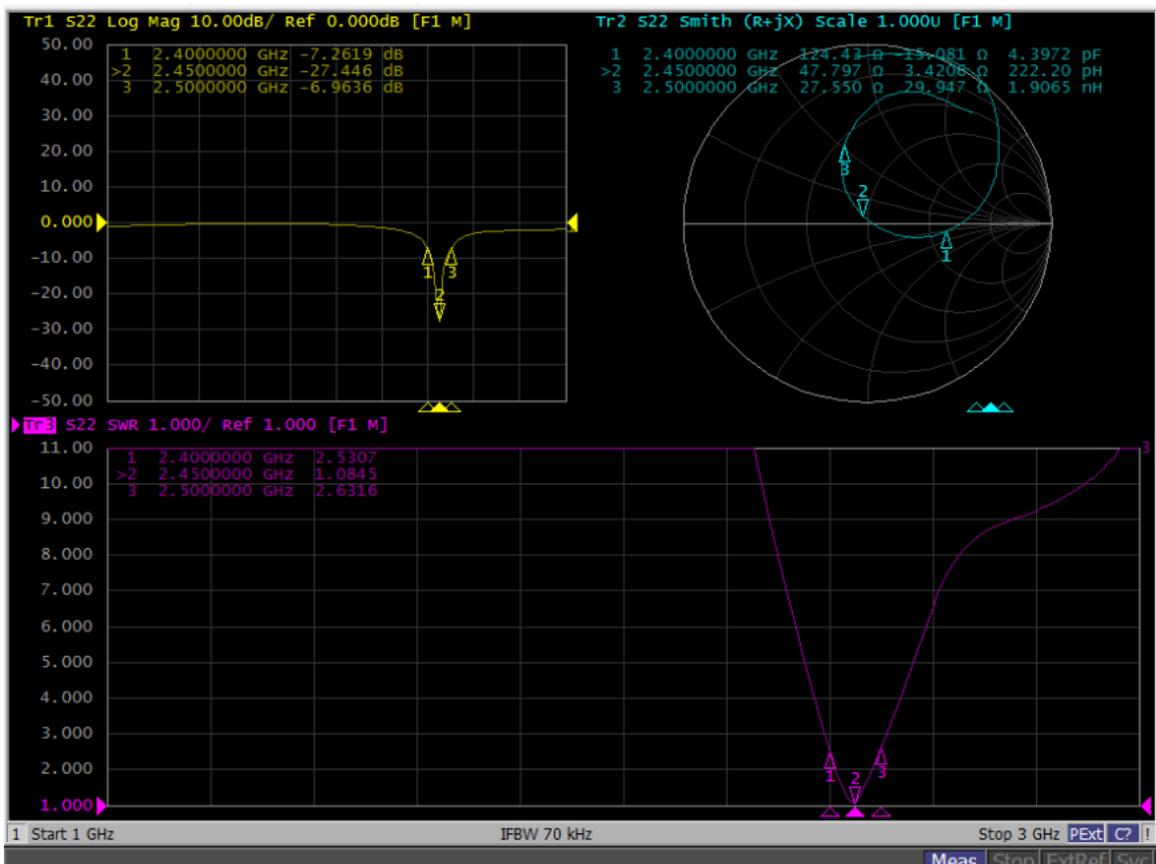
Cpk Report..... 6

# One、Electrical characteristics

## 1. Antenna Structure



## 2. Test Results

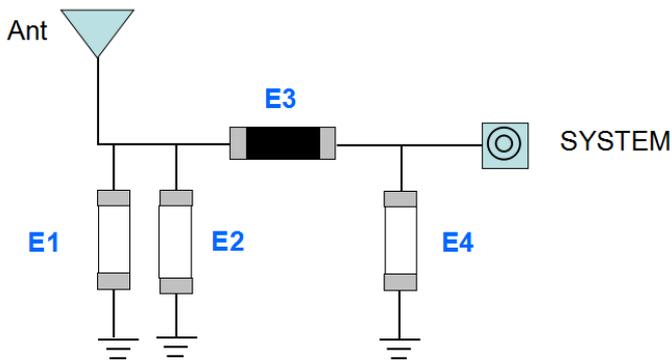


**Test Report Passive Free Space Test efficiency/match/pattern**

Freq (MHz)	Effi (%)	Effi (dB)	Gain (dBi)
2400	22.67	-6.45	-2.81
2410	23.89	-6.22	-2.68
2420	25.67	-5.91	-2.37
2430	26.19	-5.82	-2.32
2440	26.65	-5.74	-2.05
2450	25.77	-5.89	-2.08
2460	25.33	-5.96	-2.11
2470	25.01	-6.02	-2.2
2480	24.46	-6.12	-2.37
2490	24.05	-6.19	-2.64
2500	23.46	-6.3	-2.83

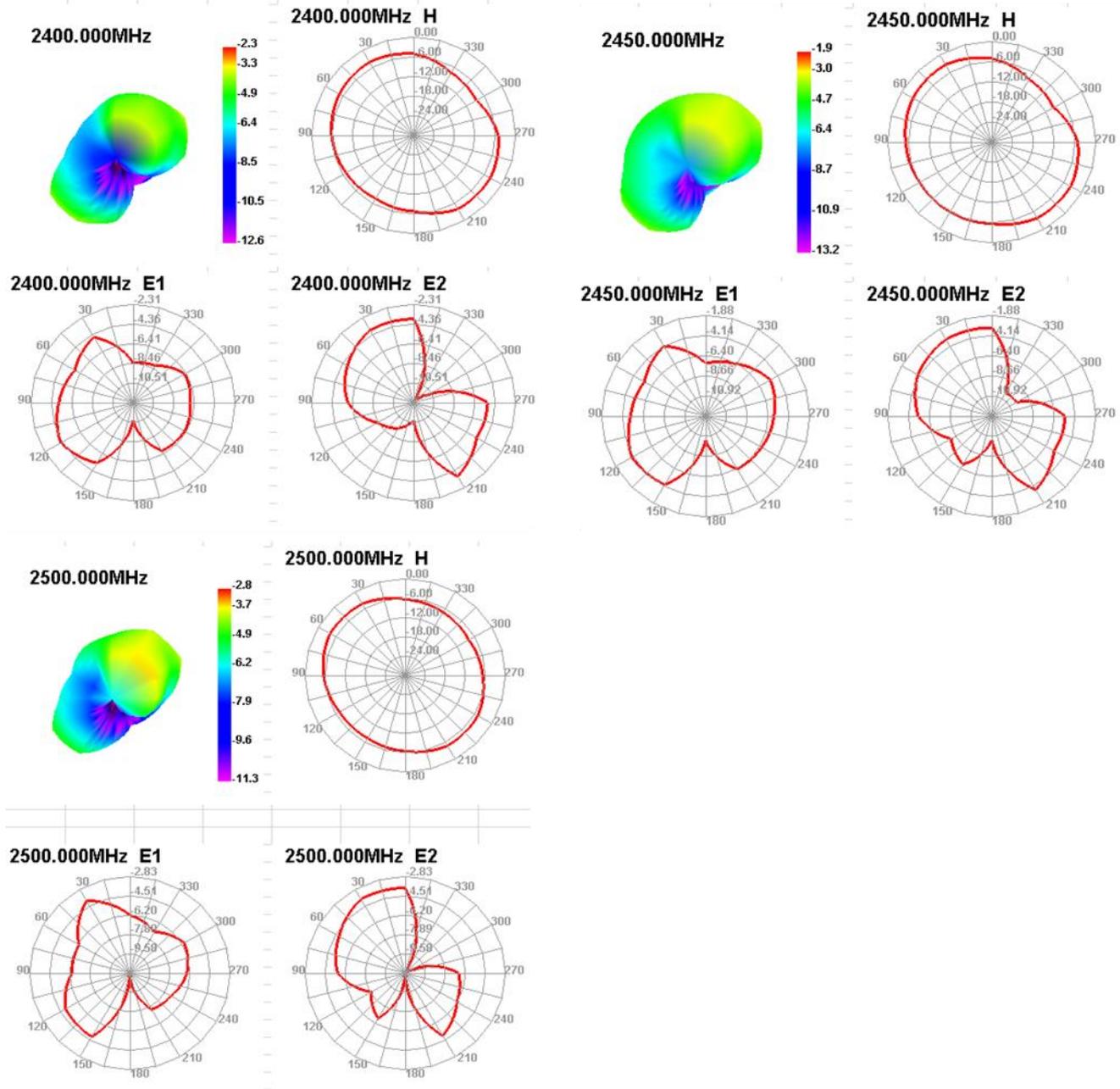
Peak maximum gain -2.05dBi

**Match**



R	
Element	Value
E1 (0201)	N/A
E2 (0201)	N/A
E3 (0201)	5.1NH
E4 (0201)	N/A

### 3. Directional pattern



### OTA data

BT-R			
Test	BT		
Result	0	39	78
TRP (dBm)	-1.75	-0.4	1.59
TIS (dBm)	-88.12	-88.78	-89.12

#### 4. Machine to be tested











### Four、Cpk Report

#### CPK Report

Part Number	799-017-01B01		Vendor	WTT	
Description	OE10-BT antenna-R		Inspected		
Tool Number			Inches/MM	mm	
Cavity			Material Name	FPC	
			Material Code		
Revision	R:A		Date	31-Aug-22	
Dim. Designator	3	4			
Nominal	17.75	17.30			
+ Tolerance (All	0.15	0.15			
- Tolerance	-0.15	-0.15			
Upper Limit	17.90	17.45			
Lower Limit	17.60	17.15			
1	17.72	17.31			
2	17.76	17.28			
3	17.74	17.33			
4	17.75	17.28			
5	17.76	17.33			
6	17.71	17.33			
7	17.73	17.33			
8	17.81	17.36			
9	17.73	17.31			
10	17.70	17.30			
11	17.71	17.30			
12	17.73	17.25			
13	17.76	17.35			
14	17.70	17.30			
15	17.71	17.30			
16	17.73	17.35			
17	17.76	17.38			
18	17.78	17.31			
19	17.70	17.30			
20	17.80	17.30			
21	17.73	17.26			
22	17.80	17.35			
23	17.68	17.36			
24	17.73	17.35			
25	17.76	17.33			
26	17.72	17.38			
27	17.70	17.33			
28	17.70	17.30			
29	17.71	17.30			
30	17.73	17.32			
MAX.	17.81	17.38			
MIN.	17.68	17.25			
AVERAGE	17.74	17.32			
STDEV	0.03	0.03			
CP	1.51	1.56			
Cpk	1.36	1.36			
TOOLING	CMM	CMM			

Approved By: Kun Yao

Written By: Jie Xiao