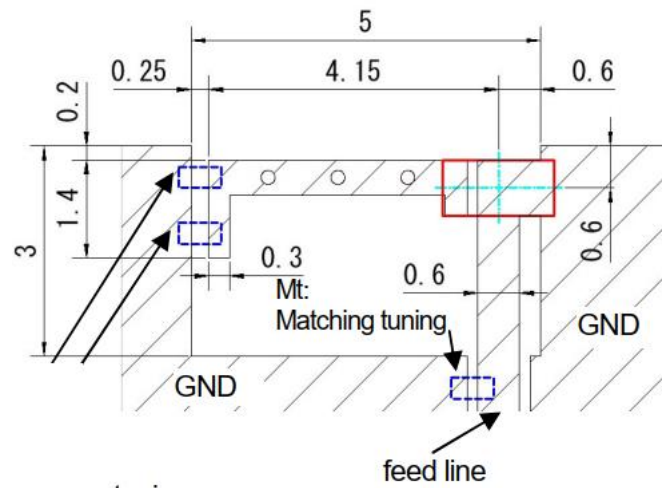


### 1. Basic info

Manufacturer	FeiMa
Model	\
Attribute	Ceramic antenna

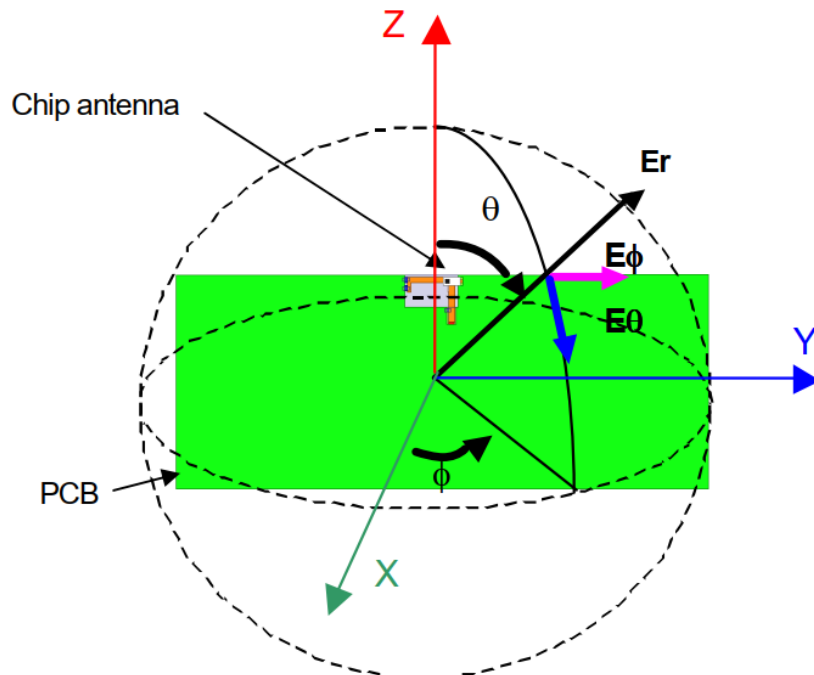
### 2. Dimension

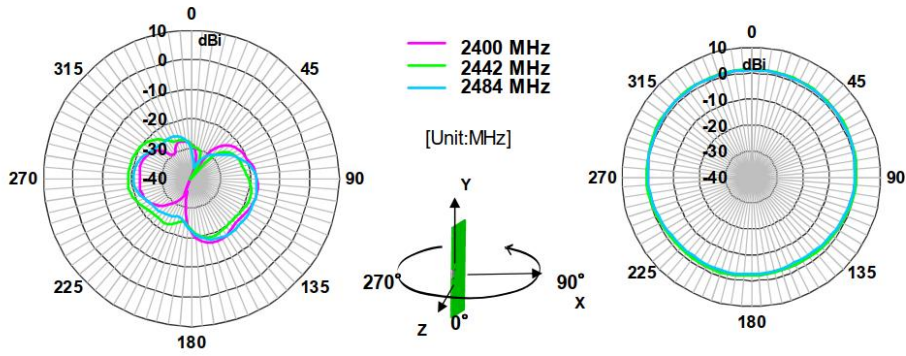


### 3. Gain

Parameter	Frequency (MHz)	Max Value
Antenna Gain (dBi)	2400~2484	1.6

### 4. Radiation Pattern



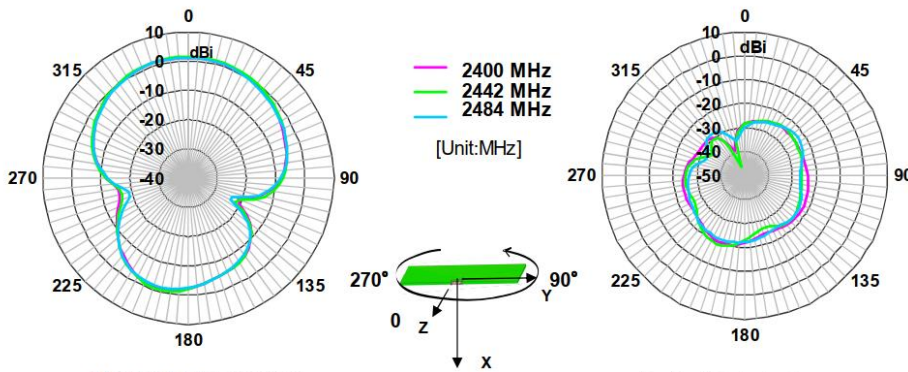


**Horizontal Polarization**

Frequency [MHz]	2400	2442	2484
Average[dBi]	-21.5	-21.5	-21.3
Maximum[dBi]	-16.9	-18.5	-17.2
Minimum[dBi]	-46.0	-40.8	-36.4

**Vertical Polarization**

Frequency [MHz]	2400	2442	2484
Average[dBi]	0.0	0.3	-0.2
Maximum[dBi]	1.3	1.6	1.2
Minimum[dBi]	-2.4	-2.2	-3.0

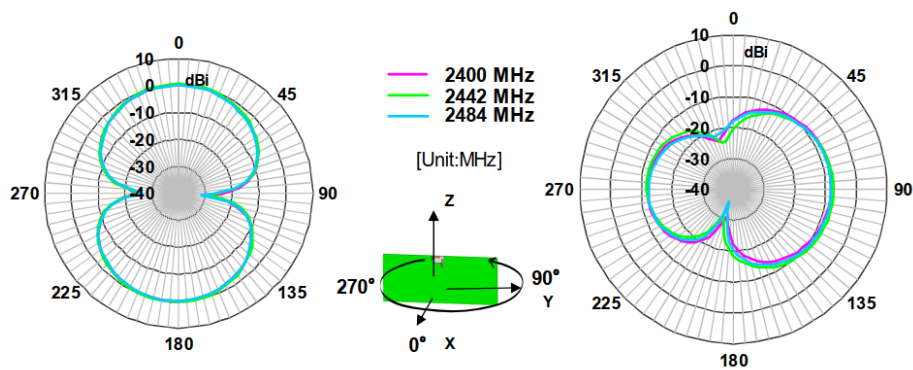


**Horizontal Polarization**

Frequency [MHz]	2400	2442	2484
Average[dBi]	-2.9	-2.6	-3.1
Maximum[dBi]	1.3	1.6	1.2
Minimum[dBi]	-21.5	-21.9	-23.6

**Vertical Polarization**

Frequency [MHz]	2400	2442	2484
Average[dBi]	-24.1	-24.7	-24.8
Maximum[dBi]	-20.2	-19.1	-21.5
Minimum[dBi]	-39.2	-46.1	-34.9



**Horizontal Polarization**

Frequency [MHz]	2400	2442	2484
Average[dBi]	-3.1	-2.7	-3.2
Maximum[dBi]	0.2	0.6	0.1
Minimum[dBi]	-29.8	-28.5	-31.3

**Vertical Polarization**

Frequency [MHz]	2400	2442	2484
Average[dBi]	-12.2	-11.8	-12.3
Maximum[dBi]	-8.0	-7.5	-8.2
Minimum[dBi]	-31.2	-30.5	-35.8