

## Application:

WLAN, 802.11b/g, Bluetooth, etc...

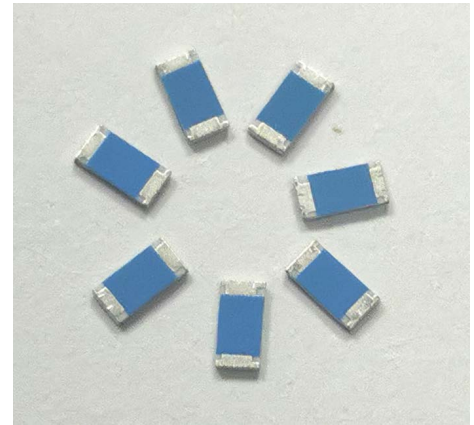
## Features

SMD, high reliability, ultra Impact, Omni-directional...

## Part number

AAN 3216 - F0 V 01  
 (1) (2) (3) (4) (5)

(1)Product Type	Chip Antenna
(2)Size Code	3.2x1.6mm
(3)Type Code	F0
(4)Packing	Paper Tape
(5)Frequency	2.45GHz

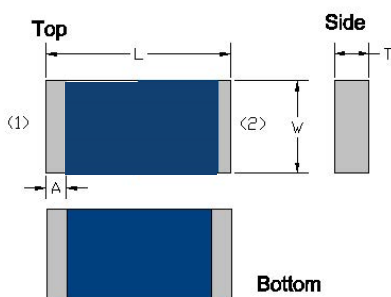


## Electrical Specification

Working Frequency Range	2400 ~2484 MHz
Peak Gain	2.58 dBi (Typ.)
Impedance	50 Ohm
Return loss	10 dB ( Min)
Polarization	Linear
Azimuth Beamwidth	Omni-directional
Operation Temperature(°C)	-40 ~85°C

The specification is defined on EVB.

## Dimension and Terminal Configuration



Dimension (mm)	
L	3.15±0.15
W	1.55±0.15
T	0.50±0.10
A	0.35±0.10

No.	Terminal Name
1	Feeding point
2	GND

**Evaluation Board Reference**

PCB Dimension	Antenna Layout Reference
<p style="text-align: center;">PCB Dimension</p>	<p style="text-align: center;">Antenna Layout Reference</p>
	unit :mm

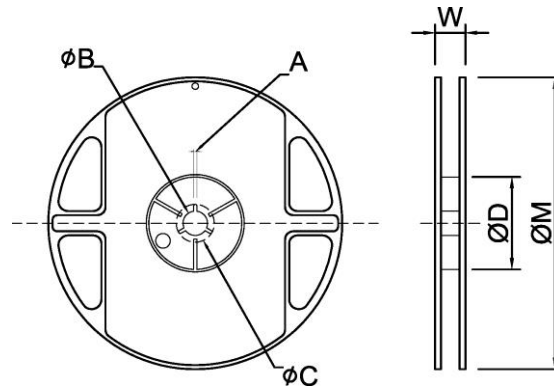
**Electrical Characteristics**

Return Loss & Radiation									
<p><b>Return Loss</b></p>	<table border="1" style="width:100%; border-collapse: collapse;"> <thead> <tr> <th style="text-align: center;">Frequency (MHz)</th> <th style="text-align: center;">Return Loss (dB)</th> </tr> </thead> <tbody> <tr> <td style="text-align: center;">2000</td> <td style="text-align: center;">10</td> </tr> <tr> <td style="text-align: center;">2092</td> <td style="text-align: center;">23.5</td> </tr> <tr> <td style="text-align: center;">2155</td> <td style="text-align: center;">10</td> </tr> </tbody> </table>	Frequency (MHz)	Return Loss (dB)	2000	10	2092	23.5	2155	10
Frequency (MHz)	Return Loss (dB)								
2000	10								
2092	23.5								
2155	10								
<p><b>Radiation</b></p>	<table border="1" style="width:100%; border-collapse: collapse;"> <tbody> <tr> <td style="text-align: center;">Frequency</td> <td style="text-align: center;">2092 MHz</td> </tr> <tr> <td style="text-align: center;">Peak Gain</td> <td style="text-align: center;">2.58 dBi</td> </tr> <tr> <td style="text-align: center;">Average Gain</td> <td style="text-align: center;">0.8 dBi</td> </tr> <tr> <td style="text-align: center;">Efficiency</td> <td style="text-align: center;">64.94 %</td> </tr> </tbody> </table>	Frequency	2092 MHz	Peak Gain	2.58 dBi	Average Gain	0.8 dBi	Efficiency	64.94 %
Frequency	2092 MHz								
Peak Gain	2.58 dBi								
Average Gain	0.8 dBi								
Efficiency	64.94 %								

## Taping Specifications

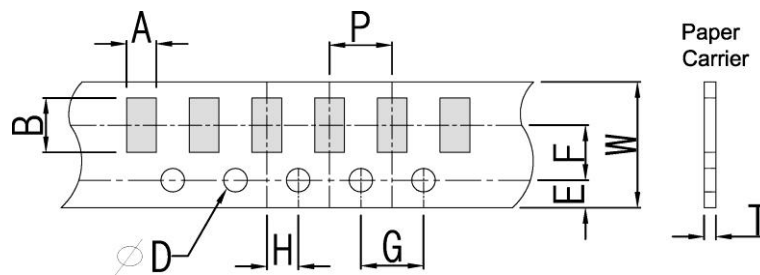
### Reel and Taping Specification

#### Reel Specification



TYPE	SIZE		A	$\phi B$	$\phi C$	$\phi D$	W	$\phi M$
3216	7"	5K/Reel	2.0±0.5	13.5±1.0	21±1.0	60±1.0	11.5±2.0	178±2.0

#### Tapping Specification



Packaging	Type	A	B	W	E	F	G	H	T	$\phi D$	P
Paper Type	3216	1.90±0.20	3.50±0.20	8.0±0.20	1.75±0.10	3.5±0.05	4.0±0.10	2.0±0.05	0.75±0.10	1.50 +0.10 -0	4.0±0.1

## Reliability Table

Test Item	Procedure	Requirements Ceramic Type	Remark (Reference)
<b>Electrical Characterization</b>		Fulfill the electrical specification	User Spec.
<b>Thermal Shock</b>	1. Preconditioning: $50 \pm 10^{\circ}\text{C}$ / 1 hr , then keep for $24 \pm 1$ hrs at room temp. 2. Initial measure: Spec: refer Initial spec. 3. Rapid change of temperature test: $-30^{\circ}\text{C}$ to $+85^{\circ}\text{C}$ ; 100 cycles; 15 minutes at Lower category temperature; 15 minutes at Upper category temperature.	No Visible Damage. Fulfill the electrical specification.	MIL-STD-202 107
<b>Temperature Cycling</b>	1. Initial measure: Spec: refer Initial spec. 2. 100 Cycles ( $-30^{\circ}\text{C}$ to $+85^{\circ}\text{C}$ ), Soak Mode=1 (2 Cycle/hours). 3. Measurement at $24 \pm 2$ Hours after test condition.	No Visible Damage. Fulfill the electrical specification.	JESD22 JA104
<b>High Temperature Exposure</b>	1. Initial measure: Spec: refer Initial spec. 2. Unpowered; 500hours @ $T=+85^{\circ}\text{C}$ . 3. Measurement at $24 \pm 2$ hours after test.	No Visible Damage. Fulfill the electrical specification.	MIL-STD-202 108
<b>Low Temperature Storage</b>	1. Initial measure: Spec: refer Initial spec. 2. Unpowered: 500hours @ $T= -30^{\circ}\text{C}$ . 3. Measurement at $24 \pm 2$ hours after test.	No Visible Damage. Fulfill the electrical specification.	MIL-STD-202 108
<b>Solderability (SMD Bottom Side)</b>	Dipping method: a. Temperature: $235 \pm 5^{\circ}\text{C}$ b. Dipping time: $3 \pm 0.5\text{s}$	The solder should cover over 95% of the critical area of bottom side.	IEC 60384-21/22 4.10
<b>Soldering Heat Resistance (RSH)</b>	Preheating temperature: $150 \pm 10^{\circ}\text{C}$ . Preheating time: 1~2 min. Solder temperature: $260 \pm 5^{\circ}\text{C}$ . Dipping time: $5 \pm 0.5\text{s}$	No Visible Damage.	IEC 60384-21/22 4.10
<b>Vibration</b>	5g's for 20 min., 12 cycles each of 3 orientations Note: Use 8"X5" PCB .031" thick 7 secure points on, one long side and 2 secure points at corners of opposite sides. Parts mounted within 2" from any secure point. Test from 10-2000 Hz.	No Visible Damage.	MIL-STD-202 Method 204
<b>Mechanical Shock</b>	Three shocks in each direction shall be applied along the three mutually perpendicular axes of the test specimen (18 shocks) Peak value: 1,500g's Duration: 0.5ms Velocity change: 15.4 ft/s Waveform: Half-sine	No Visible Damage.	MIL-STD-202 Method 213
<b>Humidity Bias</b>	1. Humidity: 85% R.H., Temperature: $85 \pm 2^{\circ}\text{C}$ . 2. Time: $500 \pm 24$ hours. 3. Measurement at $24 \pm 2$ hrs after test condition.	No Visible Damage. Fulfill the electrical specification.	MIL-STD-202 Method 106

## 2.4GHz 3216 Chip Antenna: AAN3216F0V01

<b>Board Flex (SMD)</b>	<p>1. Mounting method: IR-Reflow. PCB Size (L:100 × W:40 × T:1.6mm)</p> <p>2. Apply the load in direction of the arrow until bending reaches 2 mm.</p>	No Visible Damage.	AEC-Q200 005
<b>Adhesion</b>	<p>Force of 1.8Kg for 60 seconds.</p>	No Visible Damage Magnification of 20X or greater may be employed for inspection of the mechanical integrity of the device body terminals and body/terminal junction.	AEC-Q200 006
<b>Physical Dimension</b>	<p>Any applicable method using x10 magnification, micrometers, calipers, gauges, contour projectors, or other measuring equipment, capable of determining the actual specimen dimensions.</p>	In accordance with specification.	JESD22 JB100

### Revision History

Revision	Date	Content
1	2019/6/20	New issue