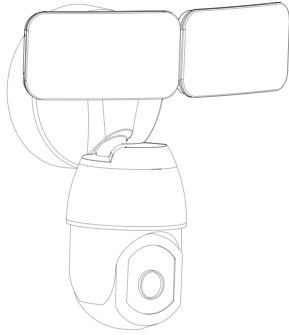


# AI PTZ Floodlight Security Camera

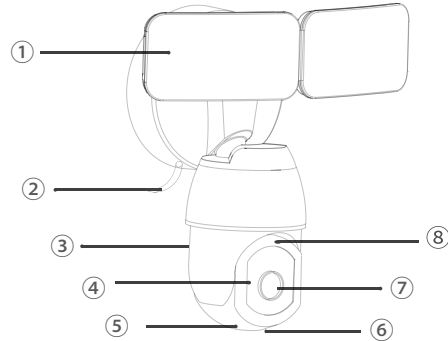
## Installation Guide V1.0



AI PTZ Floodlight Security Camera is an outdoor security camera integrating surveillance and lighting with WiFi connection.

- Camera with built-in AI suspicious intrusion detection algorithm; avoiding false alarms.
- Alarm sound and lighting switch can be set up on the APP.
- Combine outdoor security surveillance with lighting.
- 1080P, 3MP full HD.
- Amazon cloud and TF card storage for option.

### 1 AI PTZ Floodlight Security Camera



①	Floodlight	⑤	TF card slot
②	Power supply interface	⑥	Reset
③	Speaker	⑦	Lens
④	Indicator light	⑧	Microphone

## 2 Mounting Position And Protection Zone

### 2.1 Check Wi-Fi availability

**i** The AI Floodlight Cam needs a stable and sufficient strong Wi-fi connection.



	✗
	✗
	✓
	✓

Please choose the location where you would like to position your AI Floodlight Cam and check the strength of the Wi-fi signal using your smart phone.

The table above indicates whether the WiFi signal is strong enough for use in combination with the AI Floodlight Cam.

### 2.2 Ideal installation height of motion detection

When mounted at 9 feet above the ground  
1.Motion Detection: The camera can detect moving objects within 5-6 meters, start recording and push alarm information

2.AI Mode: Suspicious invasion detection  
Video recording will be triggered and the alert will be pushed to your phone when humanoid object is detected within 5 meter from the camera. Other moving objects will not trigger the alarm.



## 3 Installation Illustration

**i** AI Floodlight Cam needs 12V2A power supply

**!** Before you start the installation please ensure the power is switched off at the main power switch.

### 3.1 Safety instructions:

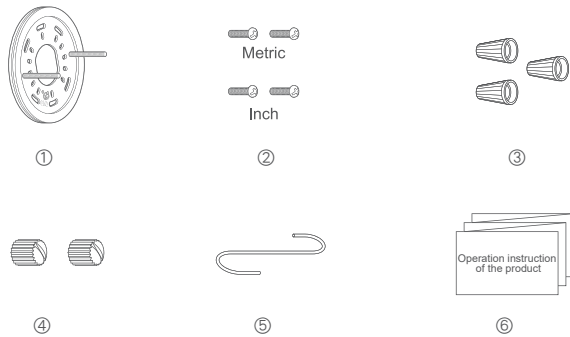
- Prior to installation or maintenance, the electricity supply must be turned off.

### 3.2 Installation notes:

- Height of installation from the ground is suggested around 9 feet.(3 meters)
- Motion sensor (Factory settings)has an horizontal range of 24 feet (8 Meters). Default setting of sensibility as "Middle".

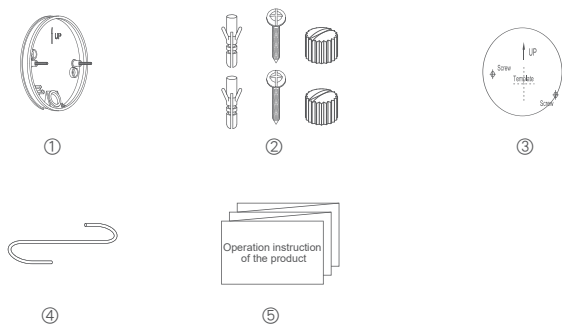
## 4.1 Accessories

### (American Standard)



①	Mounting Plate	④	Cap Nuts(2)
②	Mounting Screws(4)	⑤	Hook
③	Wire Nuts(3)	⑥	Install Manuals(3)

### (European Standard)



①	Mounting Plate	④	Hook
②	Mounting Screws(6)	⑤	Install Manuals(3)
③	Positioning sticker		

### FCC Warning

This device complies with Part 15 of the FCC Rules. Operation is subject to the following two conditions:

- (1) This device may not cause harmful interference.
- (2) this device must accept any interference received, including interference that may cause undesired operation.

This device must be installed to provide a separation distance of at least 20 cm from all persons and must not be collocated or operating in conjunction with any other antenna or transmitter.

## 4.2 Patameters

Item	AI PTZ Floodlight Security Camera
Power Supply	US: AC110V / EU: AC240V
Frequency input	50HZ /60HZ
Brightness & Color temperature	1500lum / 4500K Warm white
Power consumption	21W (MAX)
Power for the camera	12V±5%@Max.500mA
Operation environment and protection	-20-50°C/IP65
WiFi	802.11 b/g/n @2.4GHz
Box dimension	(L)267mm×(W)195mm×(H)189mm
Weight	1000g

NOTE 1: This equipment has been tested and found to comply with the limits for a Class B digital device, pursuant to part 15 of the FCC Rules. These limits are designed to provide reasonable protection against harmful interference in a residential installation. This equipment generates, uses and can radiate radio frequency energy and, if not installed and used in accordance with the instructions, may cause harmful interference to radio communications. However, there is no guarantee that interference will not occur in a particular installation. If this equipment does cause harmful interference to radio or television reception, which can be determined by turning the equipment off and on, the user is encouraged to try to correct the interference by one or more of the following measures:

- Reorient or relocate the receiving antenna.
- Increase the separation between the equipment and receiver.
- Connect the equipment into an outlet on a circuit different from that to which the receiver is connected.
- Consult the dealer or an experienced radio/TV technician for help.

NOTE 2: Any changes or modifications to this unit not expressly approved by the party responsible for compliance could void the user's authority to operate the equipment.

:

#### FCC WARNING

This device complies with part 15 of the FCC Rules. Operation is subject to the following two conditions: (1) this device may not cause harmful interference, and (2) this device must accept any interference received, including interference that may cause undesired operation.

Any changes or modifications not expressly approved by the party responsible for compliance could void the user's authority to operate the equipment.

NOTE: This equipment has been tested and found to comply with the limits for a Class B digital device, pursuant to Part 15 of the FCC Rules. These limits are designed to provide reasonable protection against harmful interference in a residential installation. This equipment generates, uses and can radiate radio frequency energy and, if not installed and used in accordance with the instructions, may cause harmful interference to radio communications.

However, there is no guarantee that interference will not occur in a particular installation.

If this equipment does cause harmful interference to radio or television reception, which can be determined by turning the equipment off and on, the user is encouraged to try to correct the interference by one or more of the following measures:

- Reorient or relocate the receiving antenna.
- Increase the separation between the equipment and receiver.
- Connect the equipment into an outlet on a circuit different from that to which the receiver is connected.
- Consult the dealer or an experienced radio/TV technician for help.

To maintain compliance with FCC's RF Exposure guidelines, This equipment should be installed and operated with minimum 20cm distance between the radiator and your body: Use only the supplied antenna.