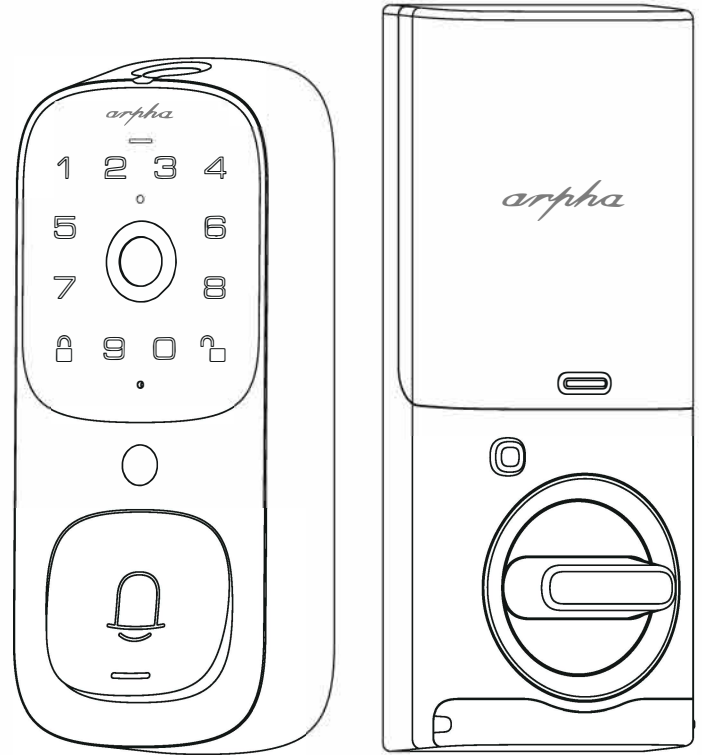


*alpha*



## ***Video Smart Lock***

QUICK START GUIDE

## ► Contents

---

P1–P3

**Hardware Introduction**

P4

**Prepare the door and check dimensions**

P5–P6

**Parts list**

P7–P17

**Installation overview**

P18–P22

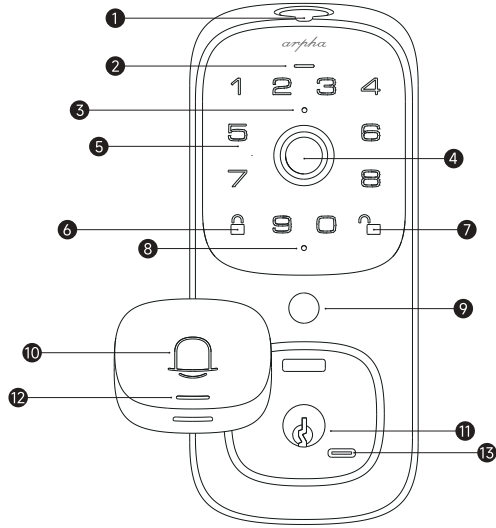
**Programming instructions**

P23

**Video guide QR code list**

## ► OVERVIEW

Model: AL501



❶ **Fingerprint Scanner** : Use to unlock the door.

❷ **Status Light** :

- **Green** : Succeed(Door unlocked)
- **Red** : Abnormal status detected

❸ **Ambient Light Sensor** : Detects the amount of light.

❹ **High-Definition Camera**

❺ **Touch Keypad**

❻ **Lock Button** : Press this button to lock the door.

❼ **Unlock Button** : After input the right password, press this button to unlock the door.

❽ **Microphone**

❾ **Motion Sensor**

❿ **Doorbell Button** : Press can make a doorbell call.

⓫ **Lock Cylinder**: Press can make a doorbell call.

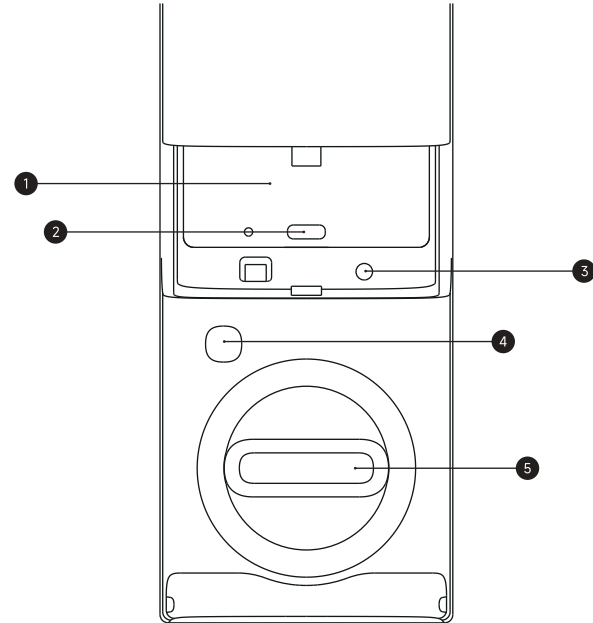
⓬ **Doorbell Light** : The ring light automatically turns on when someone approaches the door.

⓭ **Emergency Power Supply Port**: When the battery is depleted, the door lock can be powered through this interface using a portable power bank.

**Note: The "Emergency Power Supply Port" is not for battery charging purpose and can only be used for emergency power supply to the lock.**

## ► Arpha Security Video Smart Lock

Model: AL501



❶ **Rechargeable Lithium Battery**

❷ **Charging Port**

❸ **Setting Button**

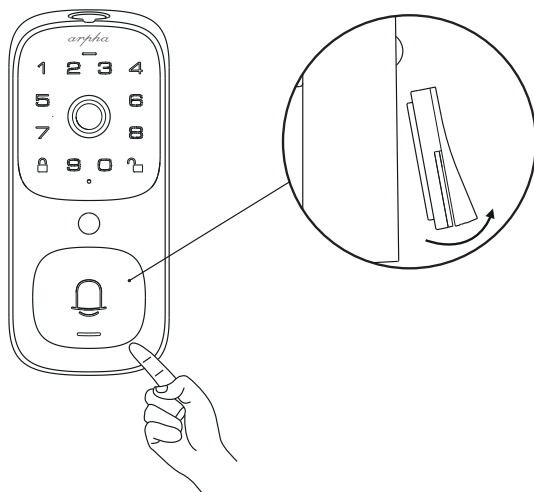
❹ **Lock & Unlock Button**

❺ **Manual Lock/Unlock Knob**

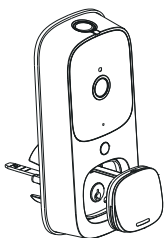
## ► How To Open / Close Lock Cylinder Cover

Guide of how to remove the doorbell button.

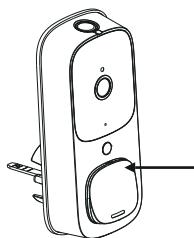
**Remove:**



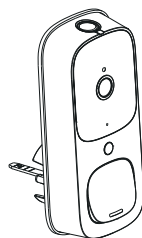
**Put it back:**



Align the doorbell button module with its original position and gently place it back in a vertical position.



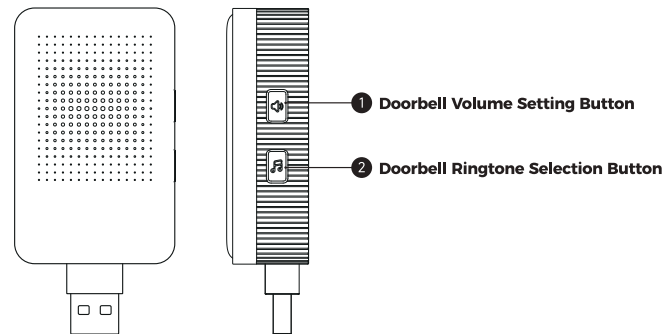
Press lightly with your thumb at the arrow location to push the upper end of the doorbell button module in.



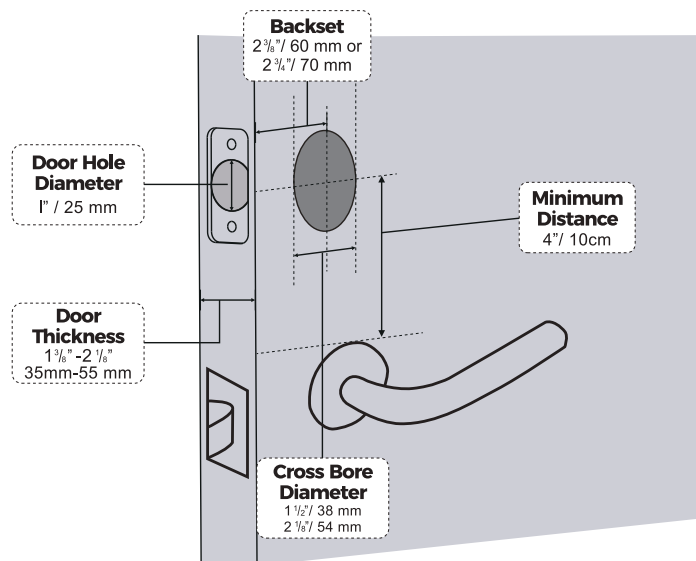
Press the doorbell button to confirm if it has been installed properly.

## ► Doorbell Chime\*

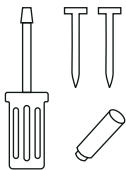
**Model: AL501**



## ► Compatible Doors



- 1 Following the installation instruction to install the smart lock.



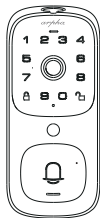
- 3 Register and login alpha plus App



- 2 Download alpha plus App

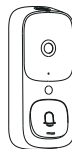


- 4 Calibrate the smart lock and Complete Bluetooth & Wi-Fi settings in the App



## ► Dinstalling Video Smart Lock

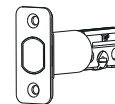
### Parts List



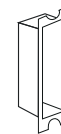
Exterior Assemble



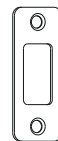
Interior Assemble



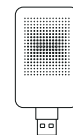
Latch



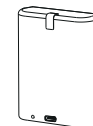
Strike Box



Strike



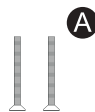
Chime



Battery



Screws cover



Mounting plate  
Screws (x2) 40 mm



Interior Assembly  
Screws (x2) 25 mm



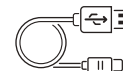
Interior Assembly  
Screws (x2) 5 mm



Strike Screws  
(x4) 25mm



Keys (x2)



Charging cable for battery



alpha plus  
App



#### TOOL REQUIRED

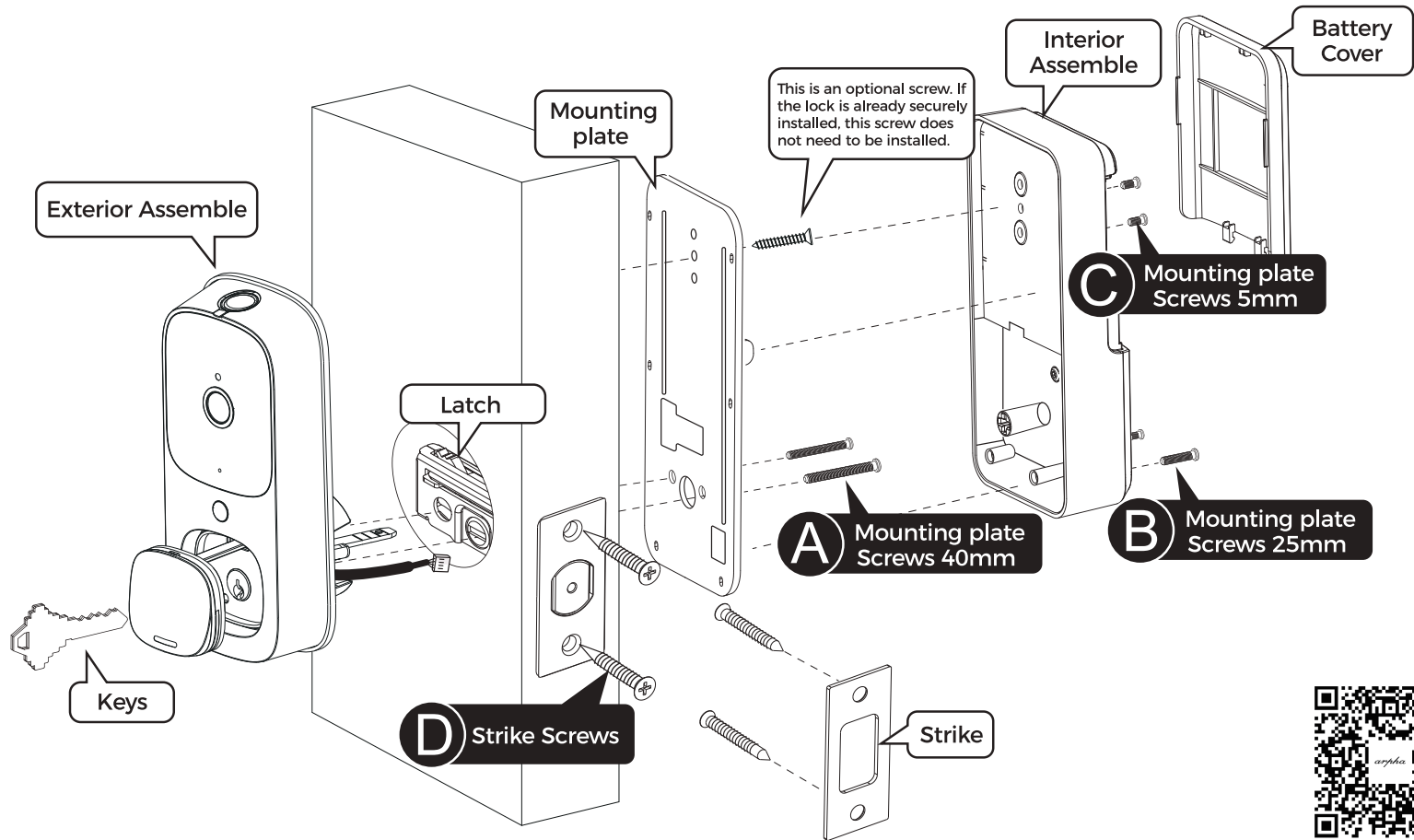
Do not use an electric screwdriver during installation.



#### IMPORTANT

Do not load batteries until lock is completely installed.

## ► Installation Overview

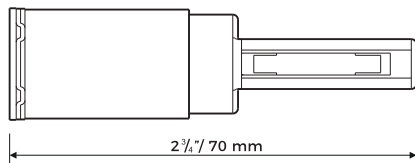
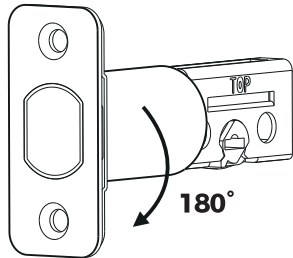
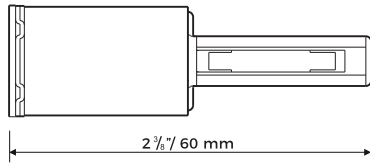


Scan the QR code to watch the video of installation guide

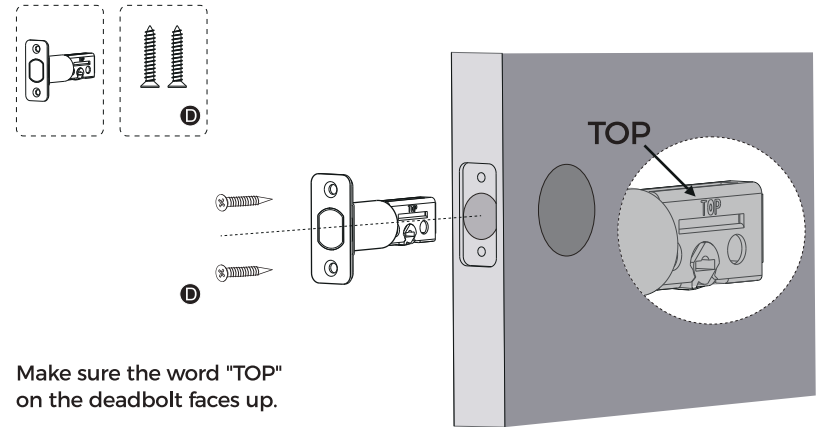
## ► Step 1. Install Deadbolt

1. Check your door to see if the deadbolt requires adjustment.

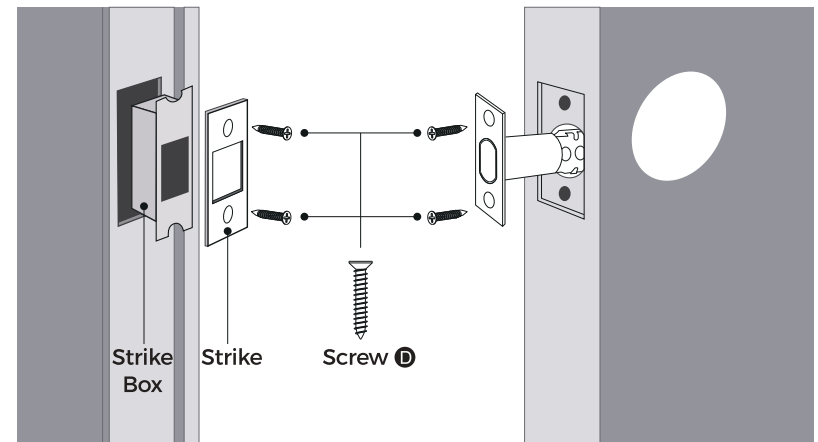
If the backset is 70mm, turn the faceplate 180° to extend the length.



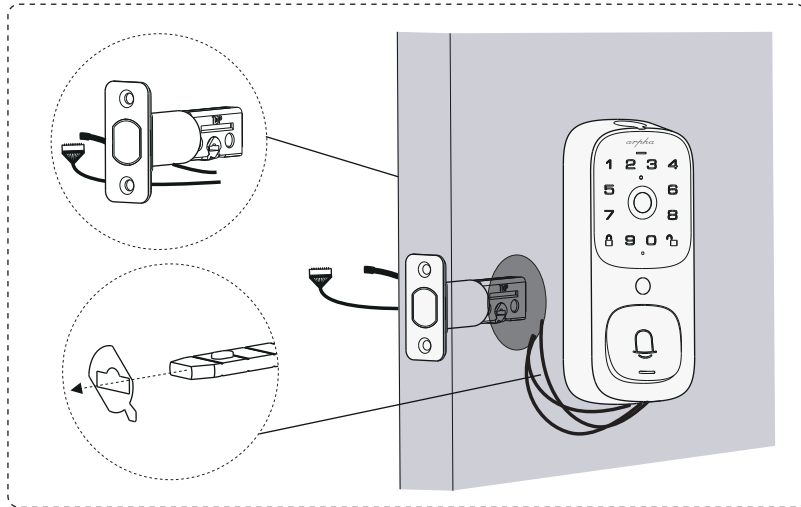
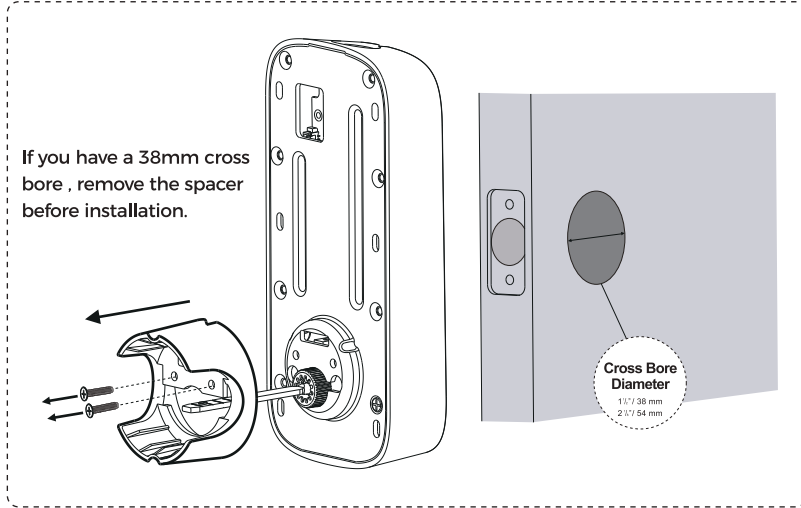
2. Insert and screw the deadbolt into the doorframe.



## ► Step 2. Install Strike Plate

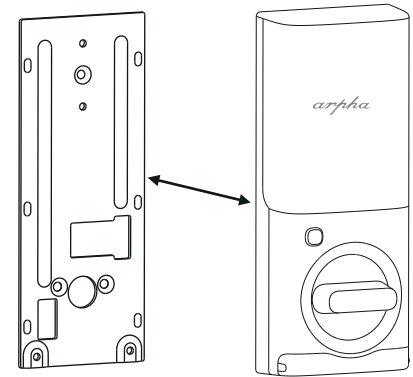


### ► Step 3. Install Exterior Assembly

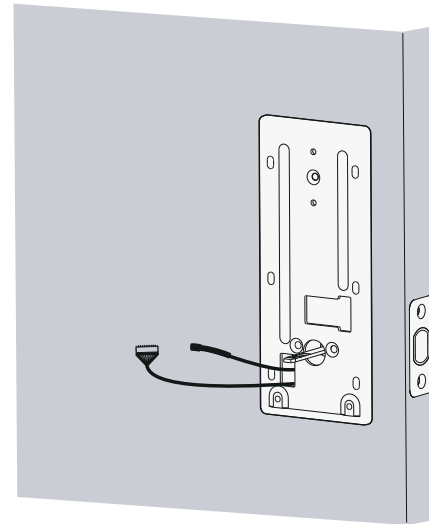


### ► Step 4. Install Interior Assembly

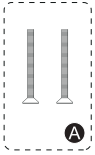
1. Detach the back cover from the interior assembly.



2. Run the wires through the back cover.

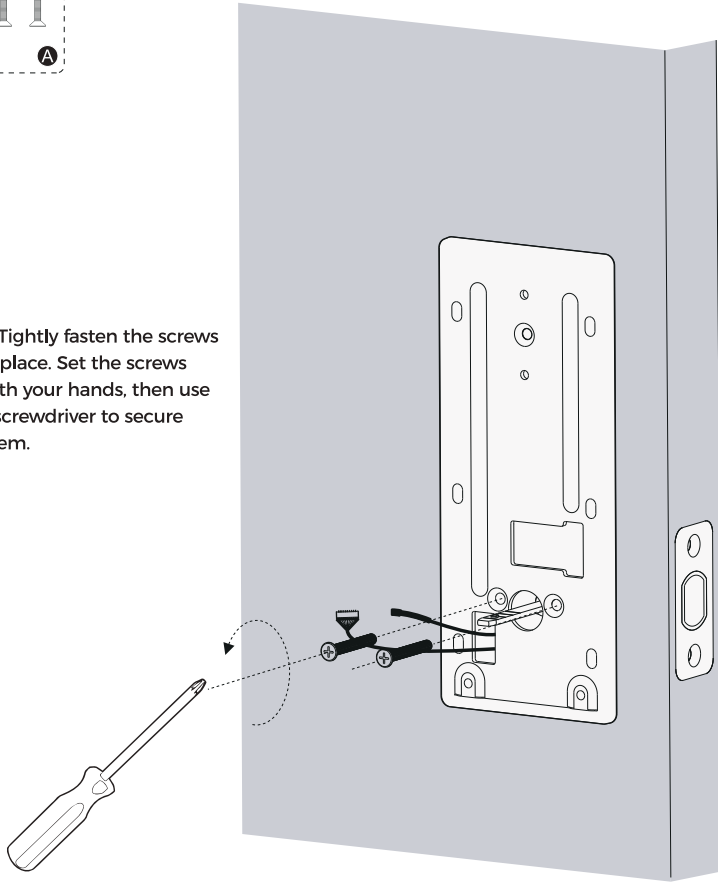




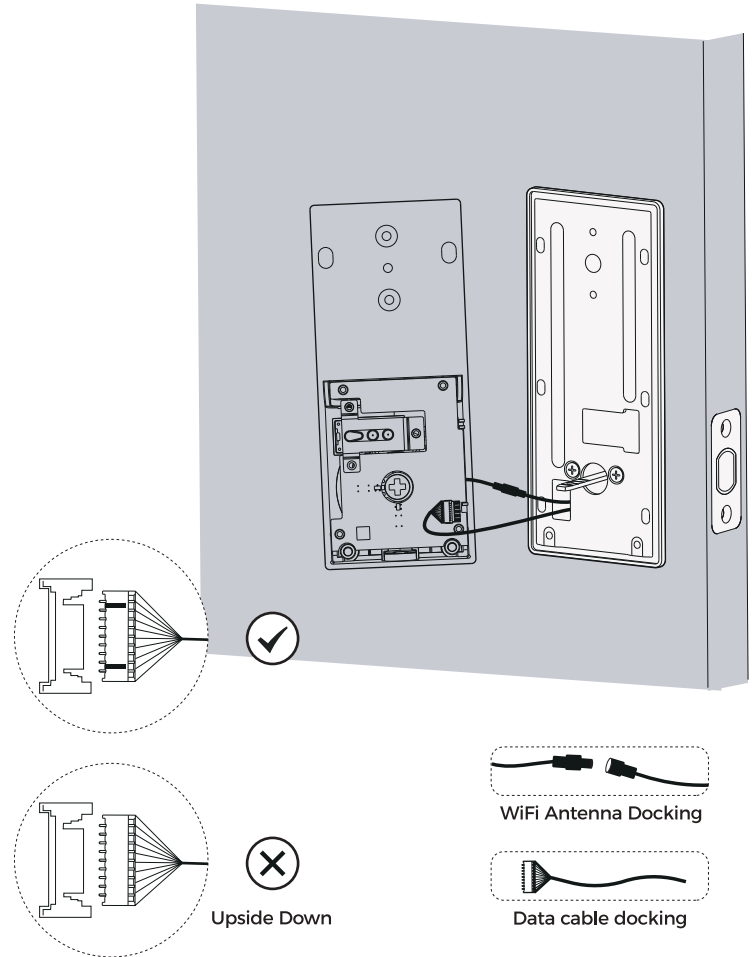


3. Secure the back cover with screws.

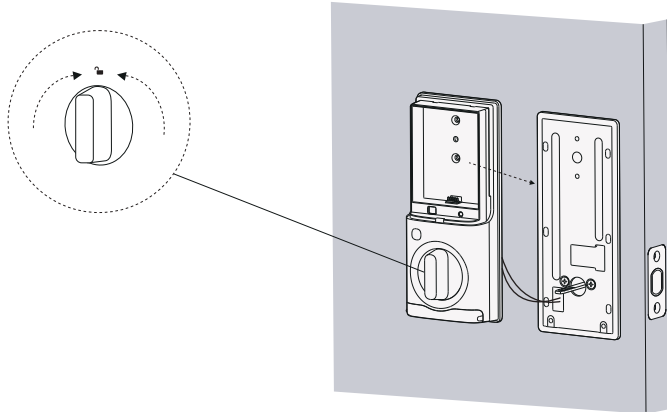
4. Tightly fasten the screws in place. Set the screws with your hands, then use a screwdriver to secure them.



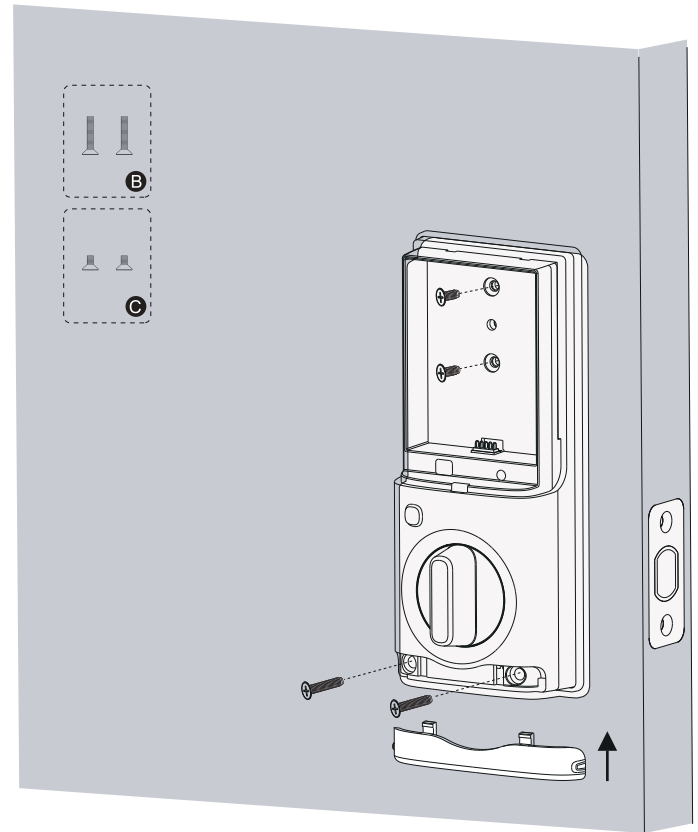
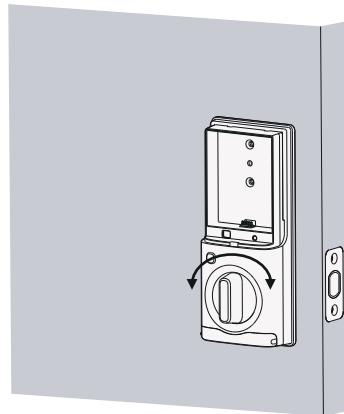
5. Wire to the interior assembly.



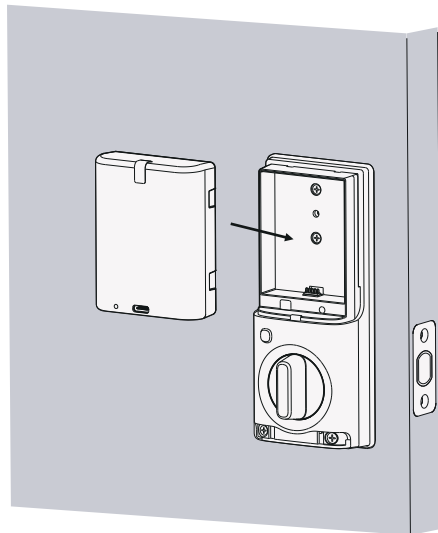
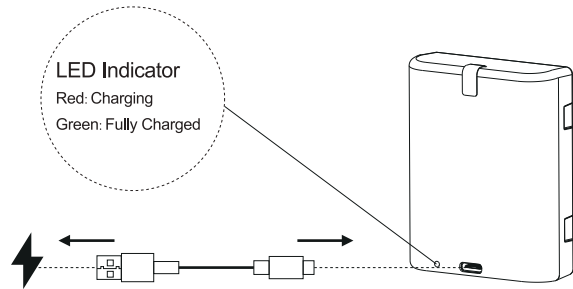
6. Mount the interior assembly. Make sure both wires are tucked into the cabin on the back of the interior assembly.



7. Check if the deadbolt retracts by turning the thumbturn.



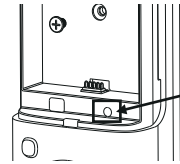
8. Fully charge the battery before first use. It might take about 6 hours.



► Apart from being able to configure your door lock through the app, you can also directly set the relevant settings on the door lock following the instructions below.

**NOTE:** "The following steps are not necessary; you can also set up your lock directly in the alpha plus APP."

## 1. Restore Factory Settings



**Step1:** Press and hold "setting" button, and after 4 seconds, the lock will start emitting a "beep" sound ( 7 times ) .

**Step2:** Hold the button until you hear the voice prompt: To confirm, Please press the unlock button.

**Step3:** Press the unlock button within 4 seconds, you will hear the voice prompt: Factory reset succeeded.

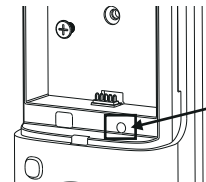


## 2. Set Administrator Password

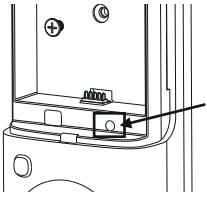
**Step1:** Press the setting button. If no administrator password has been set before, you will hear a voice prompt: Please set the administrator password.

**Step2:** After input the administrator password ,press the lock button to confirm.

**Step3:** Follow the voice prompt instructions, enter the administrator password again, and press the lock button to confirm.

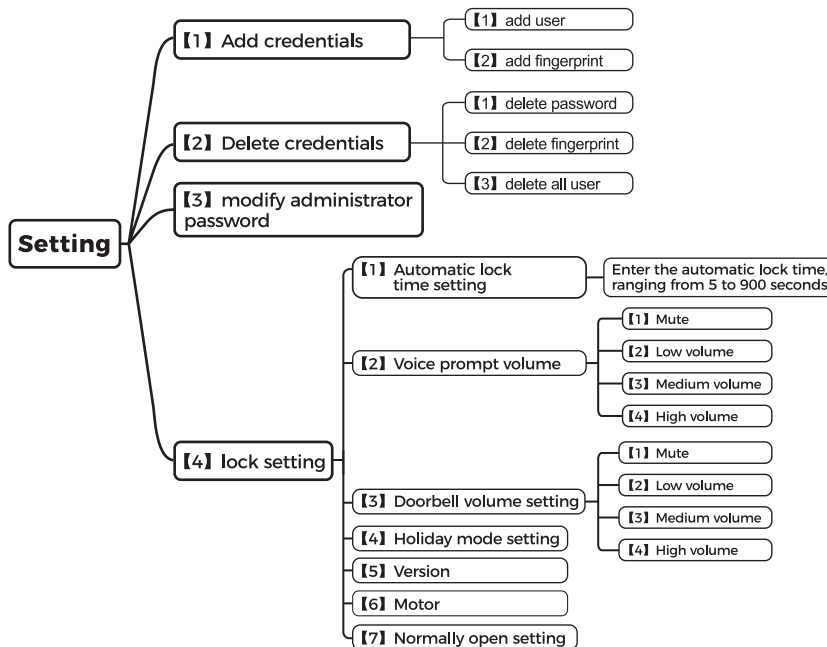


### 3. Enter The Function Settings Mode



**Step1:** Press the "Settings" button. You will hear a voice prompt saying, "Please verify administrator user." Enter the correct administrator password, then press the "Lock" button to confirm. If the password verification is successful, you will enter the setting mode.

### 4. Setting Mode Function List



### 5. Vacation Mode

When you need to go on vacation for an extended period, you can set the door lock to vacation mode. In this mode, the door lock will disable some functions and reduce response speed to minimize power consumption and prevent the battery from draining during long periods of inactivity.

#### Exiting Vacation Mode:

**While in vacation mode, the touch keypad will no longer be activated by touch. To exit vacation mode and activate the touch keypad, you need to press and hold the "Lock" button for 5 seconds.**

**Enter Path: Setting Mode → Press [4] → Press [4]**

### 6. Automatic Detection Of Unlocking Direction

When you find that the actions of the lock button and unlock button are opposite to the actual door lock operation (meaning that pressing the lock button performs the unlock action), this is usually due to the door lock incorrectly determining the direction of opening. You can use this function to re-detect the opening direction and restore normal operation to the door lock.

**Enter Path: setting Mode → Press [4] → Press [6]**

### 7. Permanent Unlock Mode

Once the Permanent unlock mode is activated, the door lock will no longer automatically lock until it is manually locked or the lock button is pressed to lock it.

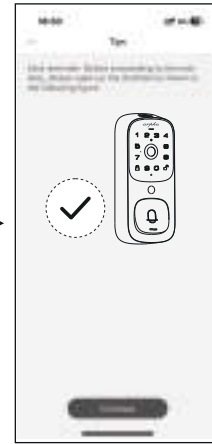
**Note: When manually locking or pressing the lock button to lock, the system will automatically exit the constant unlock mode.**

**Enter Path: setting Mode → Press [4] → Press [7]**

► APP User Guide : Connect The Lock To Internet



Sign up a account



Press "intelligent discovery" button

Follow the video to active lock, Then press "continue" button

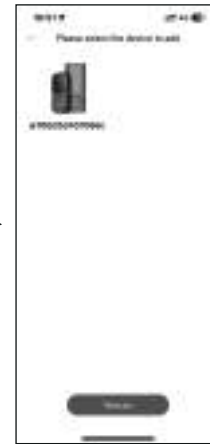


Press "Add a device" Button

Select "AL501"



Select the lock want to add



Connect your phone to the wifi, and input the wifi password

Note: wifi must be 2.4g.



Connect your phone to the wifi, and input the wifi password

## ► Video Guide

---

Scan the QR code to watch the video instruction on how to perform the operation.



Installation guide



Reset



Set up Wi-Fi  
on your device



Add fingerprint



Add password



Live video stream



Unlck with real key  
& emergency  
power supply

This device complies with part 15 of the FCC Rules. Operation is subject to the following two conditions: (1) This device may not cause harmful interference, and (2) this device must accept any interference received, including interference that may cause undesired operation.

Any Changes or modifications not expressly approved by the party responsible for compliance could void the user's authority to operate the equipment.

**Note:** This equipment has been tested and found to comply with the limits for a Class B digital device, pursuant to part 15 of the FCC Rules. These limits are designed to provide reasonable protection against harmful interference in a residential installation. This equipment generates uses and can radiate radio frequency energy and, if not installed and used in accordance with the instructions, may cause harmful interference to radio communications. However, there is no guarantee that interference will not occur in a particular installation. If this equipment does cause harmful interference to radio or television reception, which can be determined by turning the equipment off and on, the user is encouraged to try to correct the interference by one or more of the following measures:

- Reorient or relocate the receiving antenna.
- Increase the separation between the equipment and receiver.
- Connect the equipment into an outlet on a circuit different from that to which the receiver is connected.
- Consult the dealer or an experienced radio/TV technician for help.
- This equipment complies with FCC radiation exposure limits set forth for an uncontrolled environment. This equipment should be installed and operated with minimum distance 20cm between the radiator & your body.