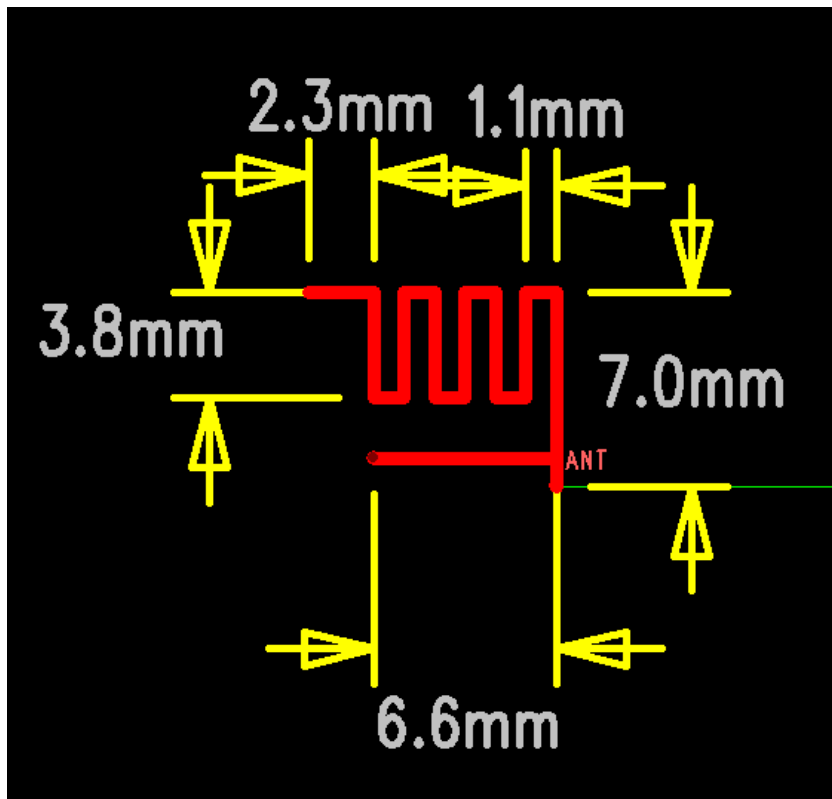




Bluetooth Antenna  
specification&Test report

Yichip Microelectronics

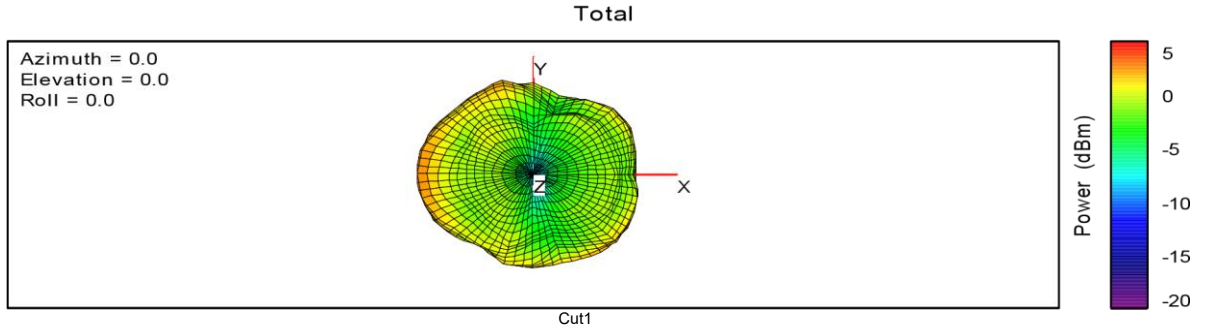
©2014



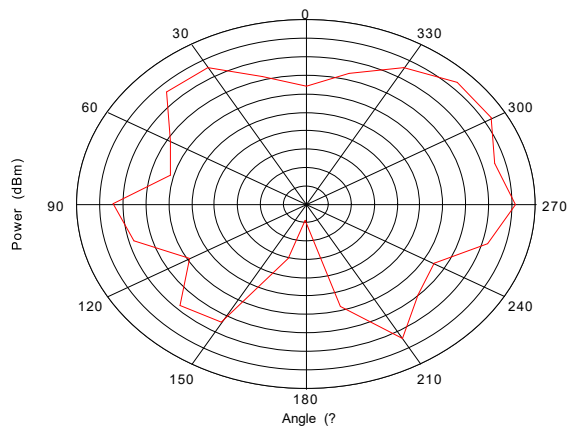
Gain and Efficiency

Frequency (MHz)	Efficiency(%)	Gain(dBi)
2300	28.41	-1.40
2320	38.63	-0.11
2340	42.82	0.36
2360	47.04	0.41
2380	47.39	0.58
2400	53.31	0.73
2420	63.69	2.10
2440	66.14	2.52
2460	64.61	2.72
2480	63.93	2.79
2500	65.00	2.97
2520	60.03	2.90
2540	58.27	3.12

### 3D and 1D Radiation Patterns

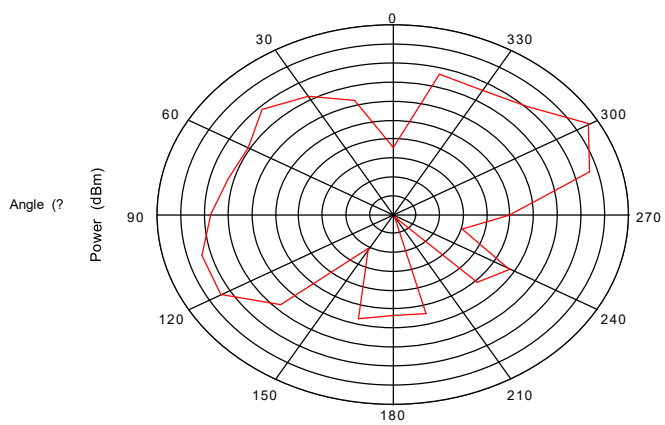


Max: 3  
Min: -7  
Scale: 1/div



Cut2

Max: 4  
Min: -16  
Scale: 2/div



Cut3

Max: 4  
Min: -10  
Scale: 2/div

