

## Onboard PCB antenna

### Features

- 2 Onboard PCB antenna with small, low-profile and light-weight type.
- 2 Wide bandwidth

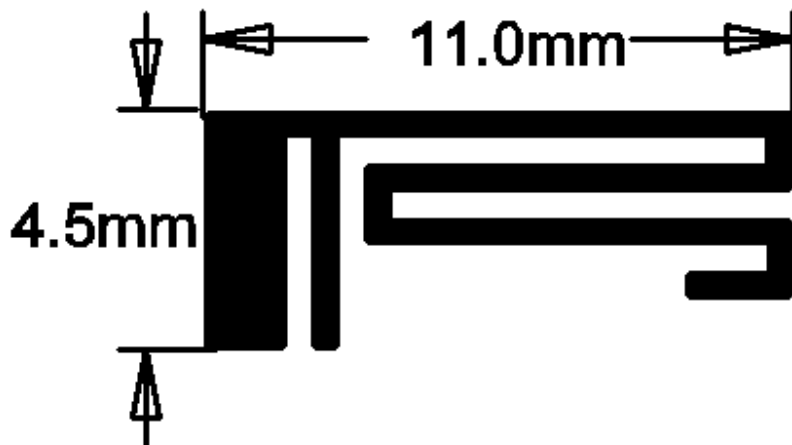
### Applications

Bluetooth/Wireless LAN/Home RF  
ISM band 2.4GHz applications

### Specifications

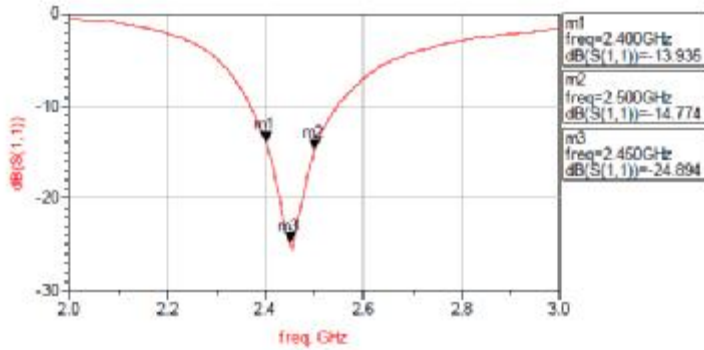
Part Number	Frequency Range (MHz)	Peak Gain (XZ-total)	Average Gain (XZ-total)	VSWR	Impedance
PCB ANT	2400-2500	0dBi typ.	- 0.5dBi typ.	2.0 max.	50 $\Omega$

### 2 Dimensions



Mark	L	W
Dimensions	11 $\pm$ 0.2	4.5 $\pm$ 0.2

## 2 Return Loss-without matching circuits



## 2 Radiation Patterns

