

Antenna Test Report

型号model: 2.4GHz Antenna

客户client: Shenzhen Qianyu toy supply chain
Co., Ltd

地址Address: Room 403, No. 40, Xiangxi
Xinwei, Songyuanxia Community, Guanhu
Street, Longhua District, Shenzhen City, China

天线类型Antenna type: Integral Antenna

可靠性测试reliability testing

NO.	project	standard	test method
1	16P and ROHS not included	16 components less than 0.1%	Third-party authoritative testing organization

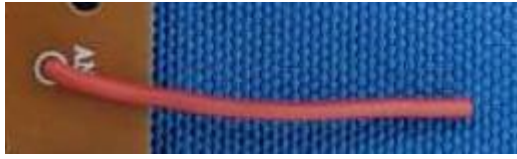
保质期expiration date

出厂后 6 个月Six months after the factory

使用注意事项caution

注意：温度不能超过 80°C 上使用，电流不能高于 1.5A 以上使用。Note: The temperature should not exceed 80 ° C, the current should not be higher than 1.5A for use.

1 图示graphical representation



Note: 2.4G transparent antenna specifications are 9 core outer diameter 1.3MM tinned copper wire, transparent color, length of 40MM, wire tip peeled 3MM tin. Compliance with environmental standards: EU EN71(19E), ROHS, PAHS, 6P~16P, European and American CPSIA, HR4040.

2 appendix

Product Specification

A. Electrical Characteristics

Frequency 2400MHz ~2500MHz

VSWR <3.0

Efficiency >30%

Impedance 50 Ohm

Polarization Line

Gain 0DBi

B. Material & Mechanical Characteristics

Material of Radiator Cu

Cable Type 1.0 19P

lucency

Connector Type : NO

Dimension

C. Environmental

Operation Temperature - 30 °C ~ + 80 °C

Storage Temperature - 30 °C ~ + 85 °C

Test Equipment & Conditions

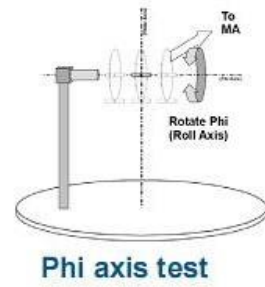
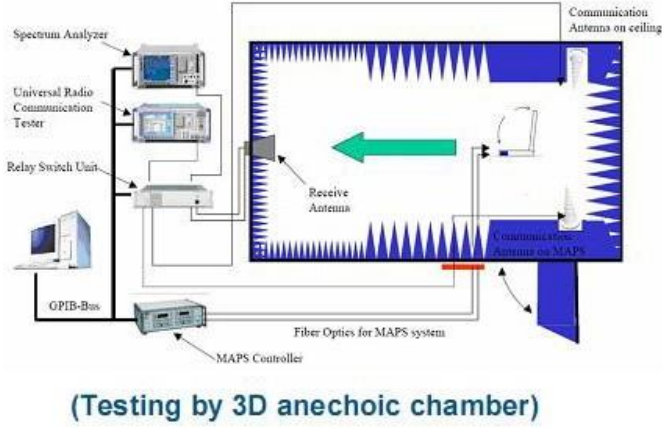
1. Network Analyzers :

Agilent 8753D 5071B

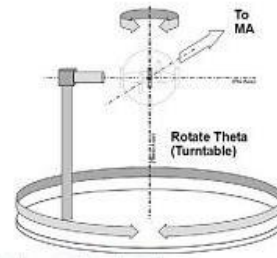
2. Communications Test Set:

Agilent E5515C

3. 3D Chamber Test System Efficiency & Gain



Phi axis test

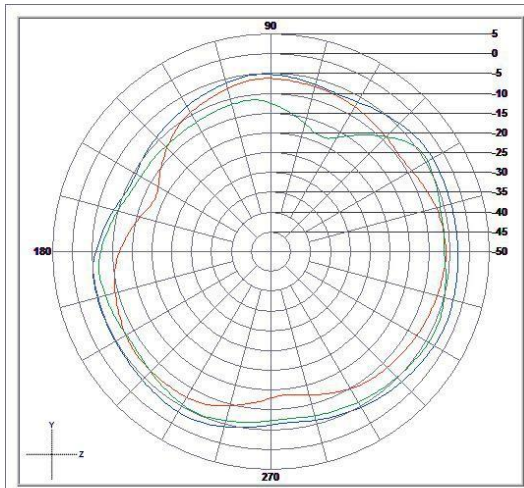


Theta axis test

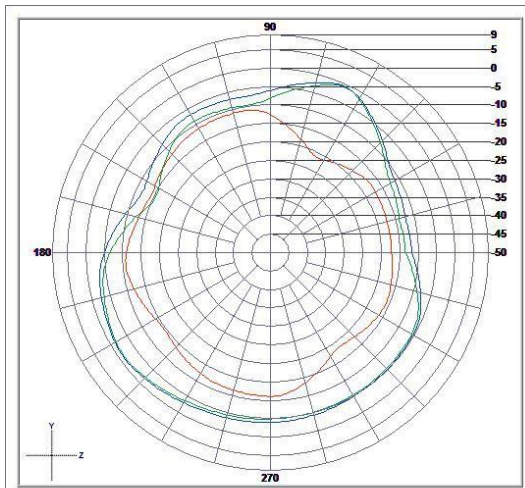
Efficiency & Gain

2.40	-0.00
2.440	-0.11
2.48	-0.13

Radiation Pattern:



	Vertical	Horizontal	Total
Avg. Gain	-8.4	-6.99	-4.63
Peak Gain	-5.48	-3.77	-2.17



	Vertical	Horizontal	Total
Avg. Gain	-13.34	-5.06	-4.46
Peak Gain	-10.3	0.09	0.12

