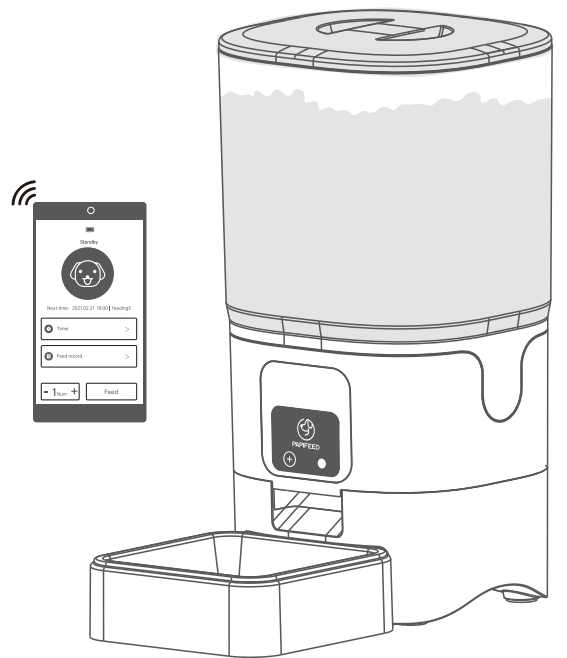




# Smart Pet Feeder

## User Manual --Support 2.4G WIFI



### Safety Instructions & Precautions

- ◆ Please do not use wet, canned or moist food.
- ◆ Please do not attempt to repair or modify the pet feeder yourself.
- ◆ Please do not use the data cable for any other purpose other than this product.
- ◆ Please do not immerse the body and power supply in water or the electronic components will be damaged.
- ◆ Please do not store this product in humid place and do not use it for any other purpose than feeding.
- ◆ please do not drop any items except dry food into the food storage bucket because it may cause abnormal conditions even pet safety problems.
- ◆ Children must be used under the guidance of an adult.
- ◆ This product uses four AA batteries (batteries not included).
- ◆ Please be sure to unplug the power supply before installing and removing the accessories.
- ◆ To prevent food clogging, the particle size should not exceed more than 10 mm.
- ◆ If you need to use an extension cord, you need to use the same grade of extension cord.
- ◆ Using product accessories not provided or recommended by the original manufacturer may lead to unsafe conditions.
- ◆ If you do not use the product for a long time, please remember to remove the battery and unplug the power supply.
- ◆ Please place the feeder horizontally. It is recommended to place it against the wall to prevent tripping over the wire or being torn by pets.
- ◆ Please read the cautions on the manual and package carefully.

**\*Note:**  
Please read this manual carefully and keep it for future use  
In order to provide better products, we will regularly improve the product, if the product picture and the real thing slightly different, please prevail in kind!

### Reference for Meal & Portion Settings

**\*Note:**  
Below is the recommended amount of food your pet needs by each meal. One portion of this feeder is about 15g.

#### - DOG -

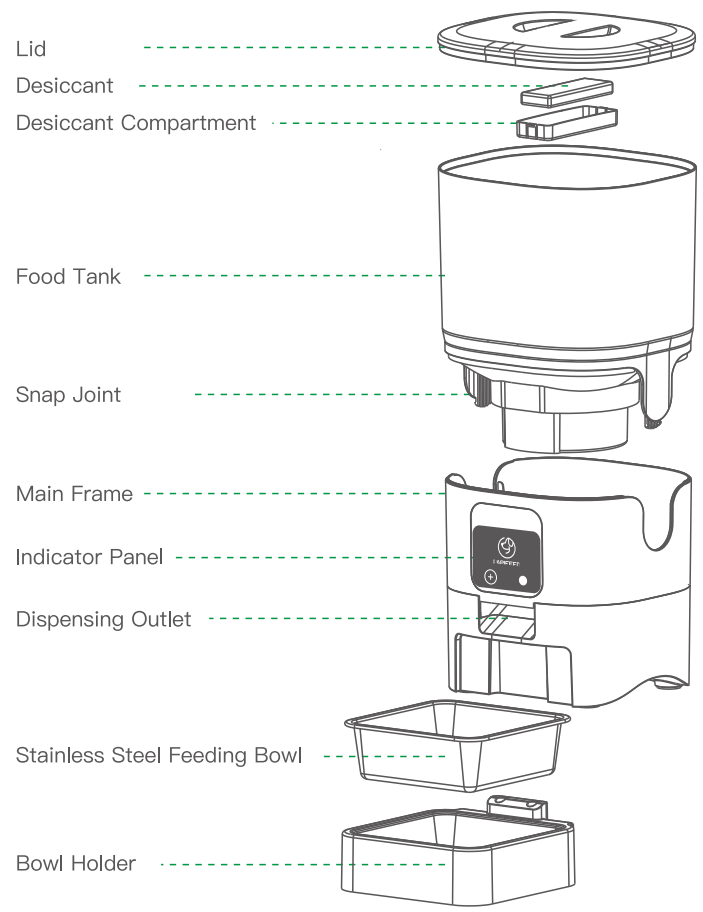
Dog Weight	Normal Activity	Increased Activity	Dog weight	Normal Activity	Increased Activity	Vigorous Activity
2kg	39g	45g	22kg	250g	290g	329g
4kg	66g	76g	24kg	267g	309g	351g
6kg	89g	104g	26kg	274g	318g	361g
8kg	111g	128g	28kg	290g	336g	381g
10kg	131g	152g	30kg	305g	353g	402g
12kg	150g	174g	32kg	320g	371g	422g
14kg	178g	206g	34kg	335g	388g	441g
16kg	197g	228g	36kg	350g	405g	461g
18kg	197g	228g	38kg	364g	422g	480g
20kg	233g	270g	40kg	379g	439g	496g

#### - CAT -

Age (months)	1-2	2-4	4-6	6-8	8-12
Suggested feed	20-30g	30-50g	50-70g	70-80g	80-90g
Weight (months)	2-3kg	3-5kg	5-7kg	Pregnancy	Lactation period
Suggested feed	25-35g	35-55g	55-35g	70-110g	120-190g

If the pet fail to eat up the previous programmed meal, please reduce the next meal portion.

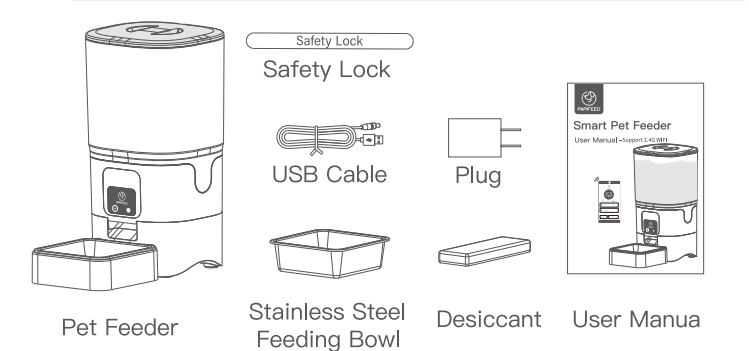
### Component Breakdown



### Product Specifications

Product Name	Smart Pet Feeder
Suit For	Cat, Dog, Rabbit, Squirrel, Small Pets
Rated Voltage	5V 1A
Product Power	5W
Power Supply	Adapter or 4 AA Batteries
Material	Eco-Friendly ABS
Product Size	192.5*178.5*332mm
Product Weight	1.6Kg
Product Capacity	25Cup/6L
Pet Food	Dry Food
Portion Size	10-20g/Portion (differed due to the different pet food density)

### Packing List



Scan for more details  
[WWW.papifeedpet.com](http://WWW.papifeedpet.com)

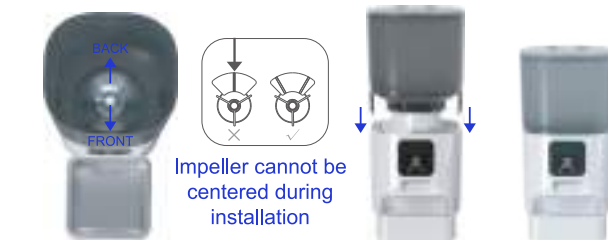
**THANK YOU FOR YOUR PREFERENCE FOR PAPIFEED**  
If you have any problems with our product, please feel free to contact us.

Tel: **(1) 877-290-0617** (From Monday to Friday: 8 a.m.-5 p.m.)(PST)  
Email: [service@papifeed.cn](mailto:service@papifeed.cn)

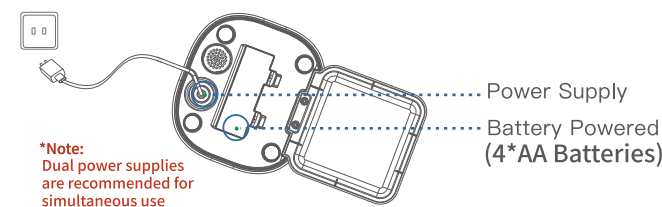


## Product Assembly Steps

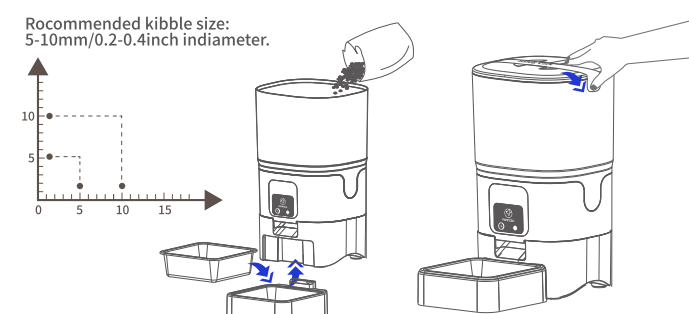
### 1.Installation of Food Tank



### 2.Connect External Power & Install Food Bowl Tray.

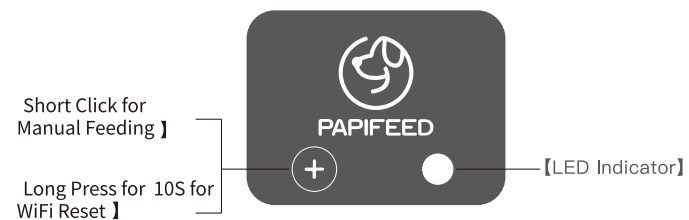


### 3.Pour the Grain & Install the Velcro.



-05-

## \*Description of Buttons and Indicators



### LED Indicator Description:

Product Status	Light Color
Low Battery (Battery Powered Only)	Flashing Red
WiFi Disconnected	Green Light
WiFi Connection in Progress	Blue Light Flashes Quickly
WiFi Connected Status	Solid Blue Light

## \* APP Download and Installation

Download and install the APP by searching "Smart Life" on Google "Play Store"(Android System) or "APP Store" (ios).



Smart Life

-06-

## \*Connect the Device



### \*Note:

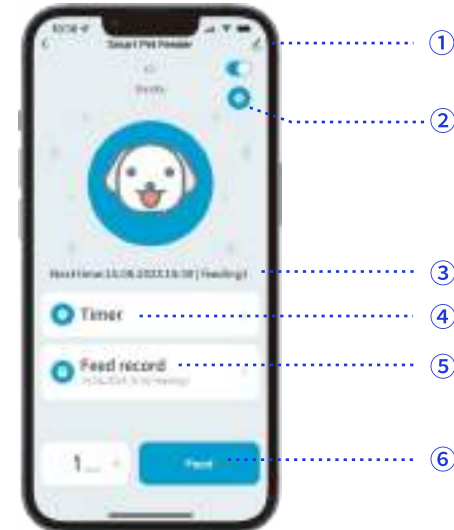
The feeder supports 2.4GHz WiFi. Keep the feeder close to your router for better WiFi connection. The ideal range is within 6 meters/19.7feet without obstacles and walls.

- 1.Turn on the phone's "Bluetooth" and "WiFi"
2. Login to "Smart Life" APP.
- 3.Select the device you want to add. [Small Home Appliances-PetFeeder ( Wi-Fi )]
- 4.Enter your home network account and password.
5. Wait for the device to be connected, click the "Finish" button to enter the feeding page.

\*Note: Make sure the feeder indicator light is flashing blue, if the indicator light is other colors, you can long press [+ ] on the feeder for 10 seconds to reset the device .

-07-

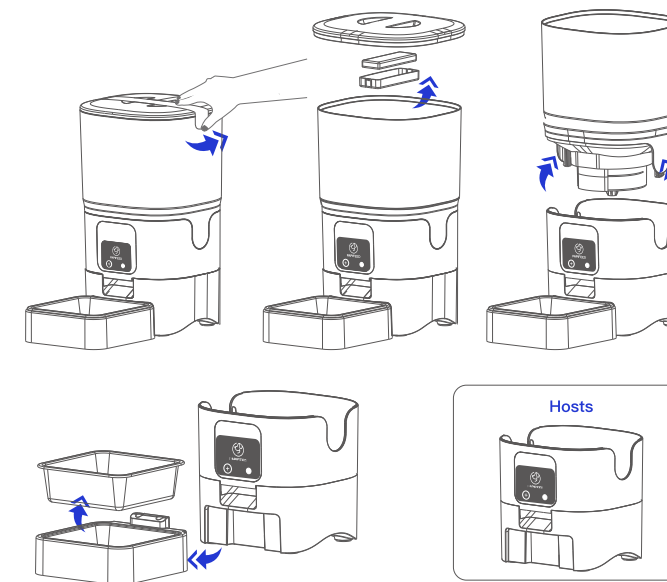
## \* Function Introduction



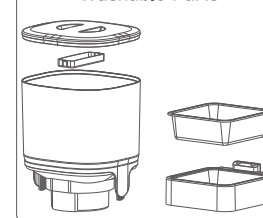
- ①Share the device to your family.
- ②Slow Feed: When "Slow feed" mode is enabled, the feeder will dispense **one portion food every 3 minutes.** \*Note: When you turn on the "Slow feed" function, the feeding schedule you set and the "manual feeding (on APP)" will run according to the " Slow feed" mode.
- ③Next feeding schedule reminder.
- ④Set up a daily feeding schedule(The feeder use military time)
- ⑤View the feeding history.
- ⑥Manual feeding (on APP).

-08-

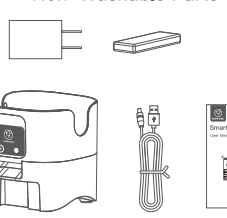
## Product Disassembly & Cleaning



### Washable Parts



### Non-Washable Parts



-09-

## Q&A Trouble Shooting

Question	Solution
<b>Fail to connect to the network</b>	<ol style="list-style-type: none"> <li>1. Please use original USB power adapter to supply power.</li> <li>2. Make sure the phone and router are as close to the device as possible.</li> <li>3.Make sure the phone's WLAN and Bluetooth are turned on.</li> <li>4.Make sure the correct device is selected [Small Home Appliances-Pet Feeder(WiFi)]</li> <li>5.Make sure the indicator light flashes blue when connected (if the indicator light is another color, you can long pressing [+ ] on the feeder for 10s to reset the device).</li> </ol>
<b>Timed tasks are not executed correctly</b>	<ol style="list-style-type: none"> <li>1. Make sure the device is not reset or powered off.</li> <li>2. Check if the feeder is offline, when normally connected, the feeder indicator is always on blue.</li> <li>3. Check whether the effective period of the timing task is set correctly.</li> <li>4. Check whether the time zone of the device is the same as your time zone.Online status, click - ⚙ "Device Information", check the time zone of the device.</li> <li>5. After the above problems are eliminated, please reset the device and then reconnect.</li> </ol>
<b>Does the feeder dispense food when it is offline?</b>	The chip of the feeder has a memory function, the device will continue to dispense food according to the schedule.
<b>How to reset the device?</b>	Long press the [+ ] button on the feeder for 10 seconds until the indicator changes.
<b>How to view MAC address?</b>	Online status, click - ⚙ "Device Information", to check MAC address.
<b>Why do the batteries not seem to last?</b>	Due to the need for networking, power consumption is high. For ensuring that the device can still maintain normal networking and normal operation in the event of a power outage, the batteries will be consumed so quickly. We recommend ensuring dual power supplies.

## 100% After Sales Service

We provide one year warranty for this appliance.

Please email our support team at [service@papifeed.cn], if you have any questions, attach your order number and describe the problem you met in your email. We will get back to you within 24 hours.

Also you can call us at (1) 877-290-0617 (From Monday to Friday: 8 a.m.-5 p.m.)(PST)

-10-

This device complies with part 15 of the FCC Rules. Operation is subject to the following two conditions: (1) This device may not cause harmful interference, and (2) this device must accept any interference received, including interference that may cause undesired operation.

Any Changes or modifications not expressly approved by the party responsible for compliance could void the user's authority to operate the equipment.

**Note:** This equipment has been tested and found to comply with the limits for a Class B digital device, pursuant to part 15 of the FCC Rules. These limits are designed to provide reasonable protection against harmful interference in a residential installation. This equipment generates uses and can radiate radio frequency energy and, if not installed and used in accordance with the instructions, may cause harmful interference to radio communications. However, there is no guarantee that interference will not occur in a particular installation. If this equipment does cause harmful interference to radio or television reception, which can be determined by turning the equipment off and on, the user is encouraged to try to correct the interference by one or more of the following measures:

- Reorient or relocate the receiving antenna.
- Increase the separation between the equipment and receiver.
- Connect the equipment into an outlet on a circuit different from that to which the receiver is connected.
- Consult the dealer or an experienced radio/TV technician for help.
- This equipment complies with FCC radiation exposure limits set forth for an uncontrolled environment. This equipment should be installed and operated with minimum distance 20cm between the radiator & your body.