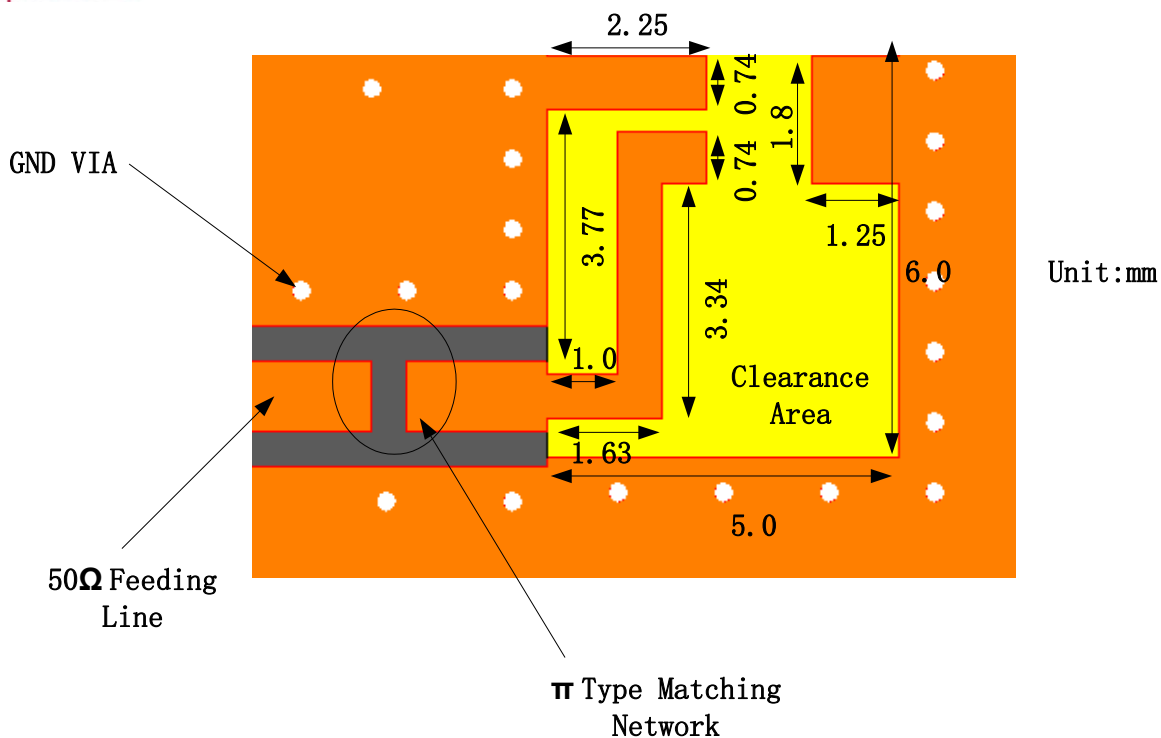
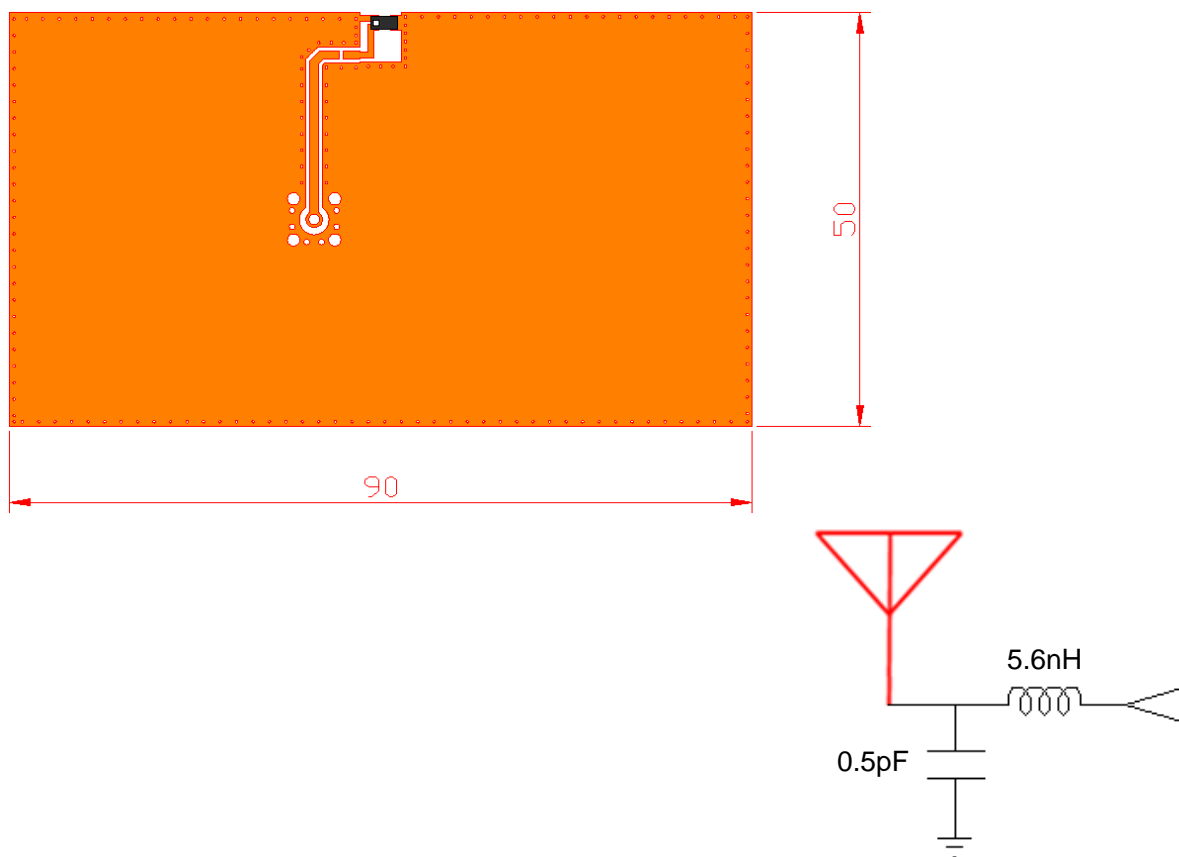


Specification



4. 测试电路和匹配电路 Evaluation Board and Matching Circuits



## Specification

## 7. 方向图及效率 Radiation Pattern &amp; Efficiency

coordinates:

