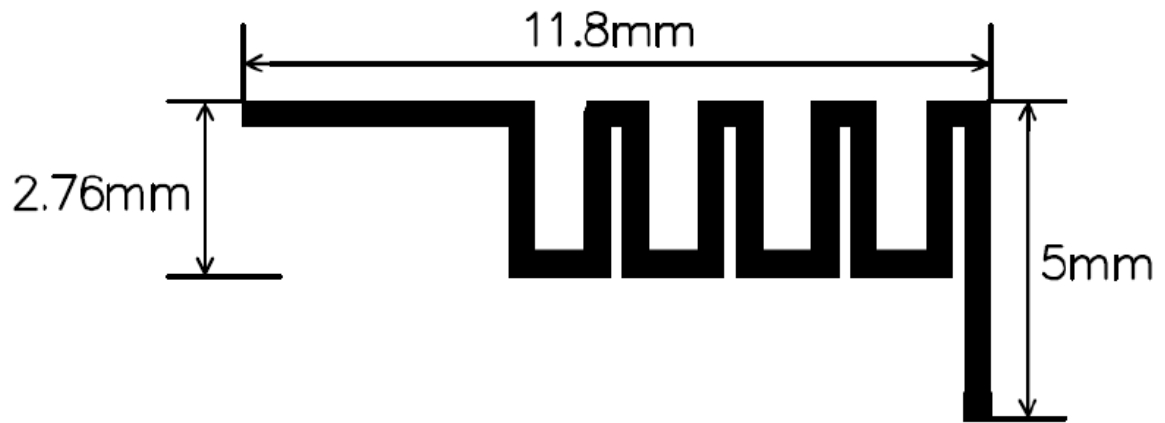


ANTENNA SPECIFICATION

Antenna Model: TLL511271-ANT

Antenna Type: PCB Antenna

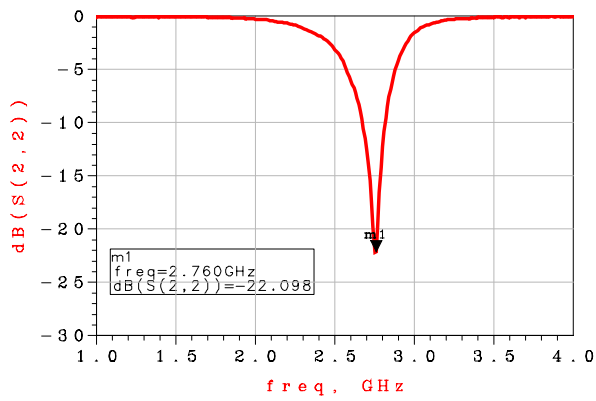


GAIN AND EFFICIENCY

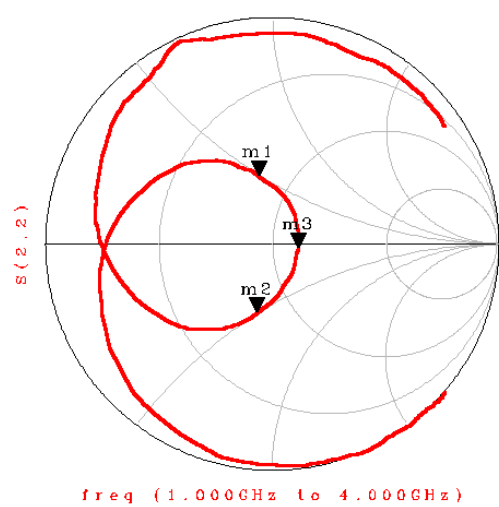
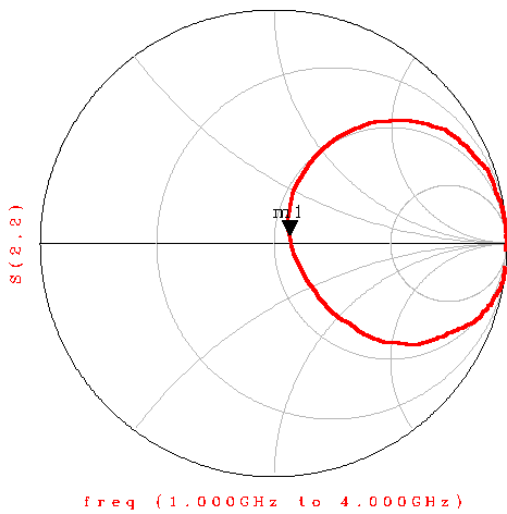
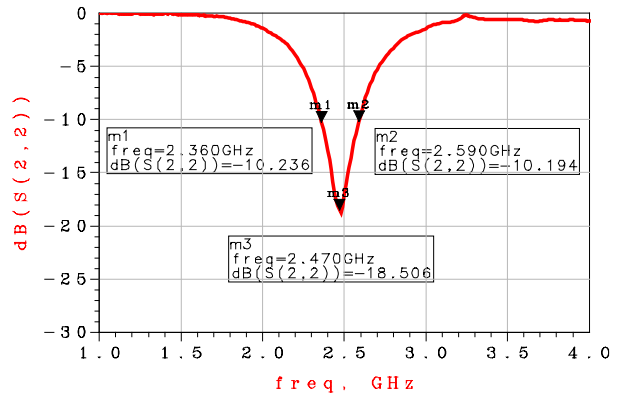
Frequency(MHz)	Efficiency(dB)	Efficiency(%)	Gain(dBi)
2400	-4.767	33.362	-8.354
2410	-4.865	32.617	-6.354
2420	-5.034	31.370	-4.383
2430	-5.249	29.859	-4.095
2440	-5.867	25.899	-2.346
2450	-6.265	23.630	-0.680
2460	-6.272	23.592	-1.354
2470	-6.377	23.025	-3.752
2480	-6.586	21.945	-4.623
2490	-6.864	20.584	-3.254
2500	-6.928	20.284	-1.687

❖ Return Loss

(a) Without Matching Circuits

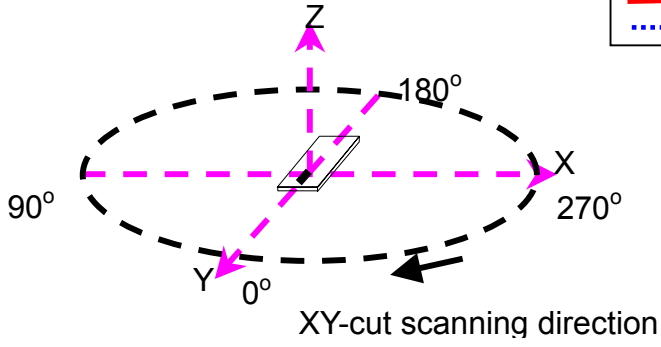


(b) With Matching Circuits

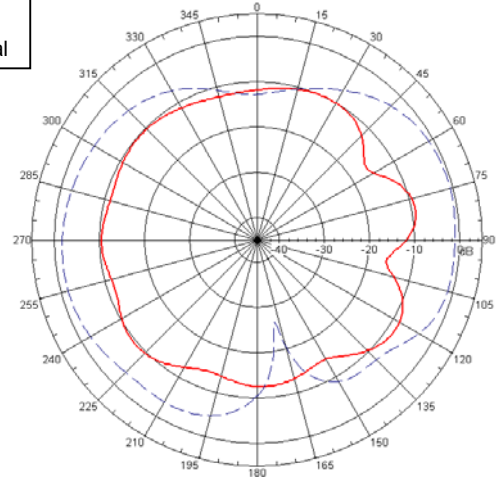


Radiation Patterns

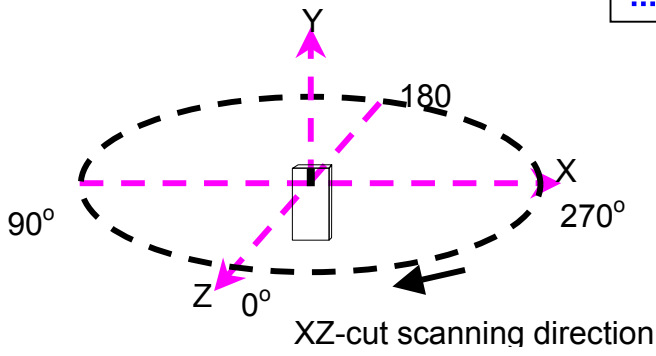
XY-V/XY-H



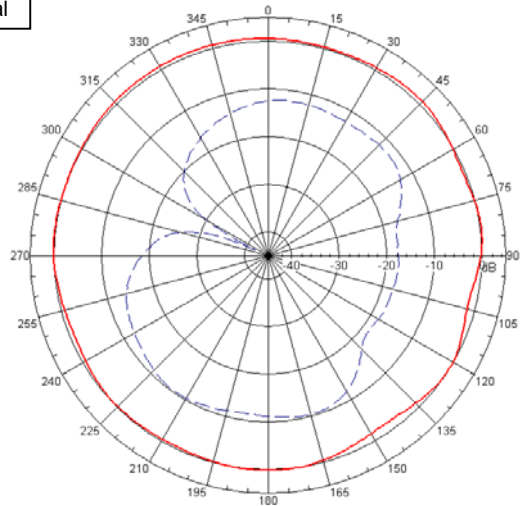
XY cut @2.45GHz
 — Vertical
 Horizontal



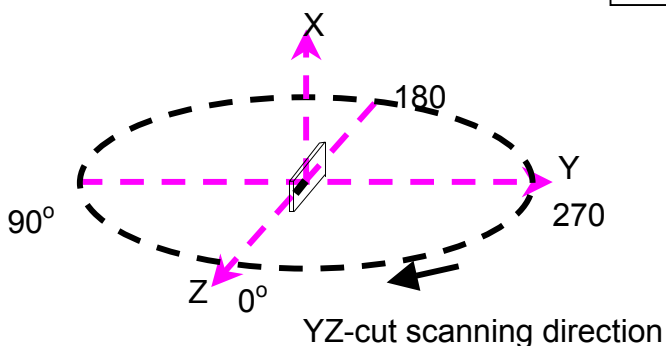
XZ-V/XZ-H



XZ cut @2.45GHz
 — Vertical
 Horizontal



YZ-V/YZ-H



YZ cut @2.45GHz
 — Vertical
 Horizontal

