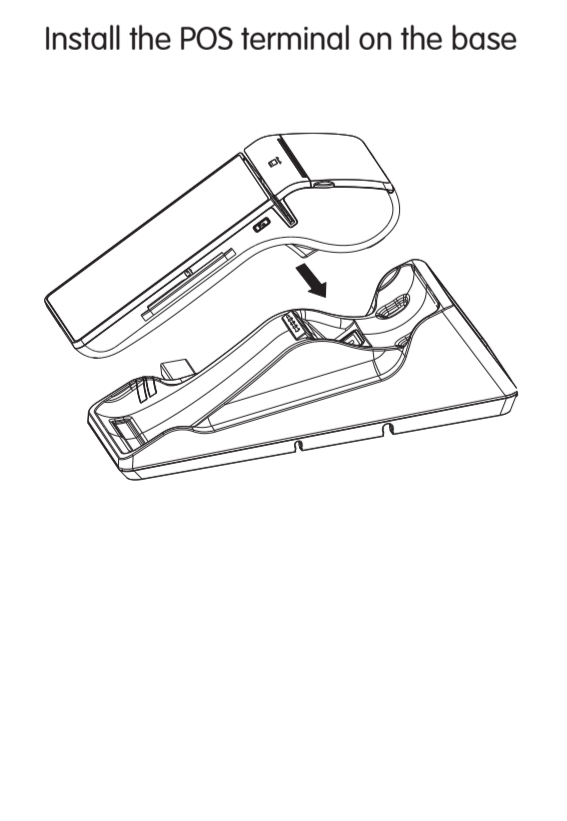
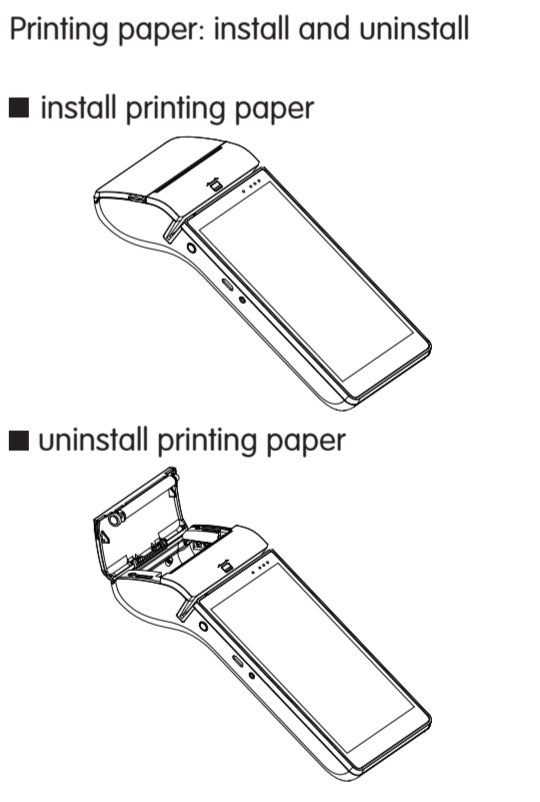
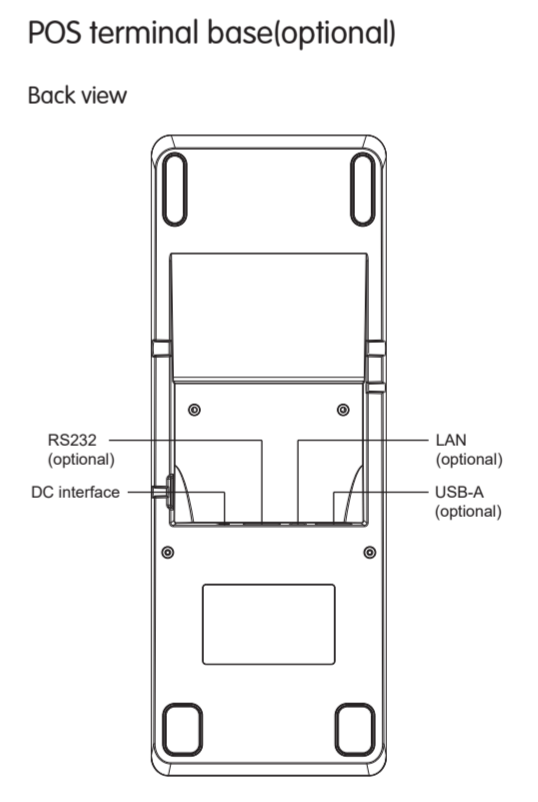
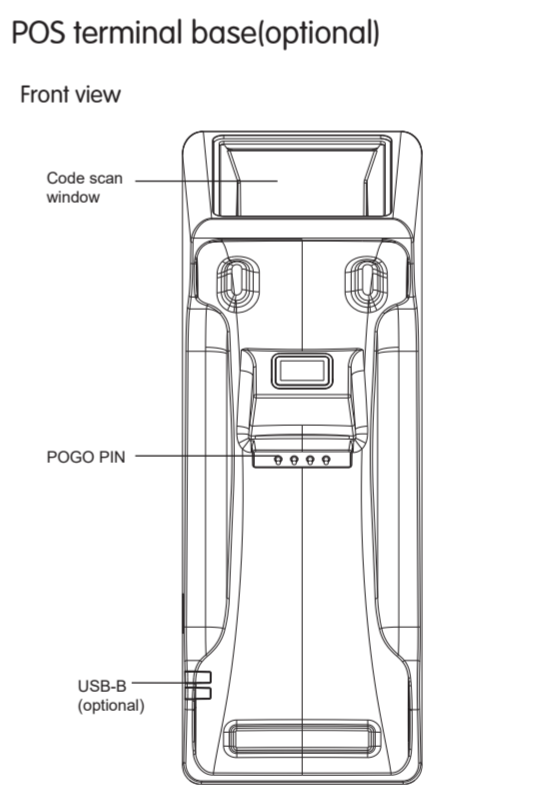
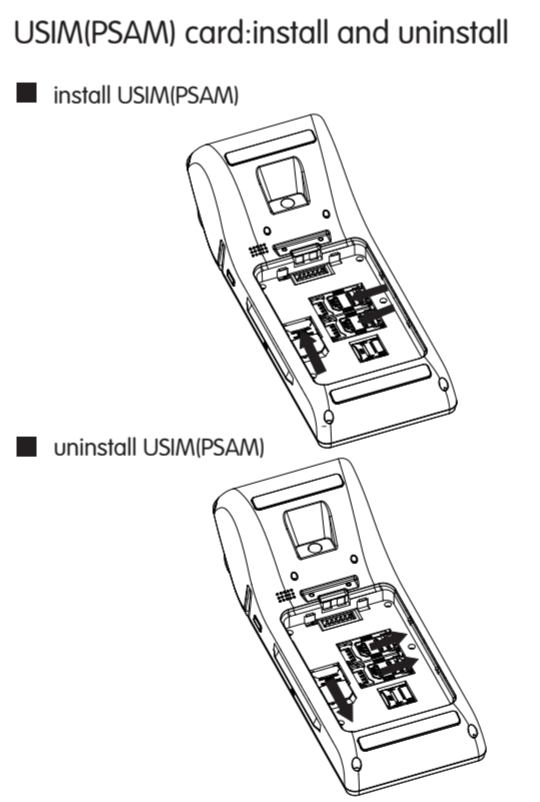
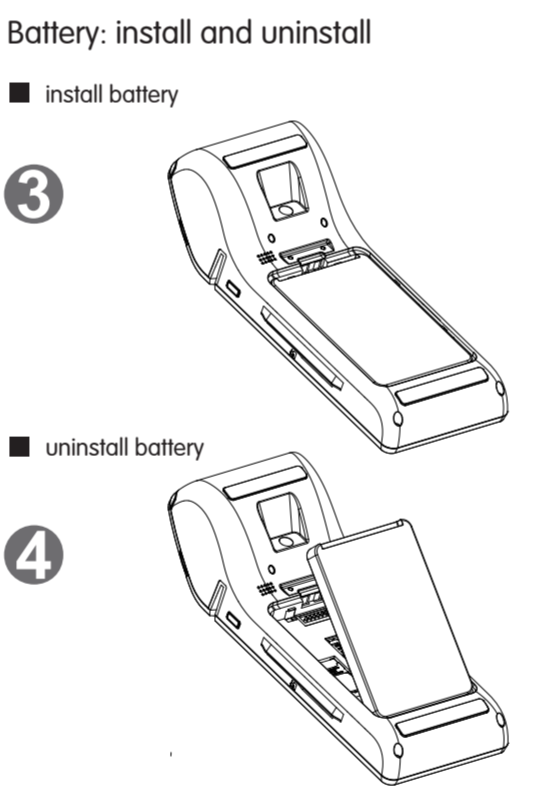
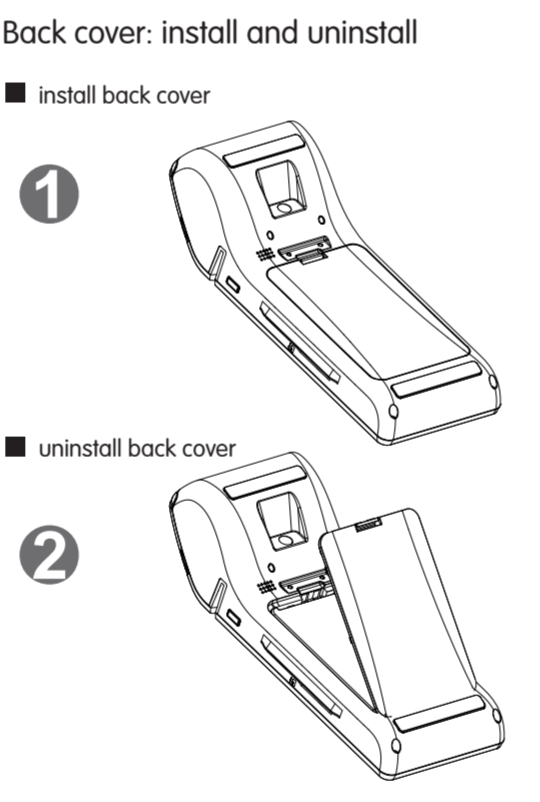
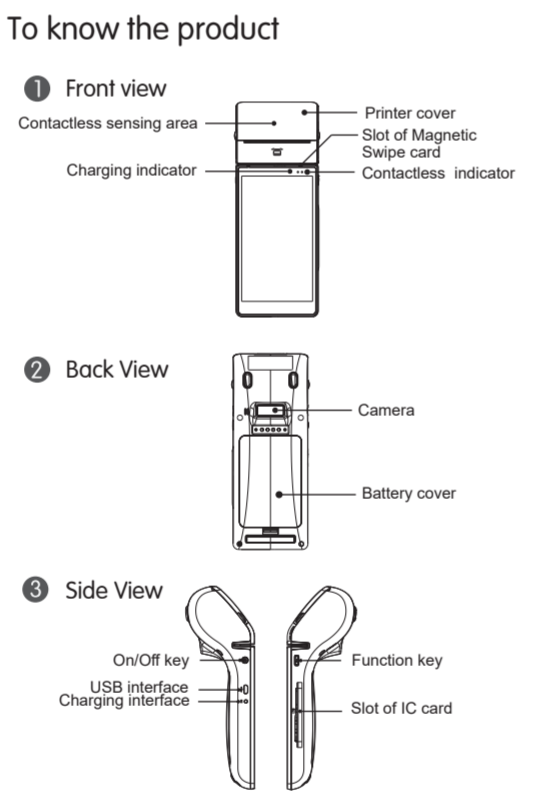


Android POS Terminal Model-P2000L
Quick start guide

Thanks for your purchase of Product Description. Please read this guide first before you use the device, and it will ensure your safety and the proper use of equipment. About the equipment configuration, please check with the relevant contracts of the device or consult the seller who sells the equipment to you. The pictures in this guide are for reference only, if some pictures do not match the physical product, please in kind prevail. Many network function which is described in this manual is the specific service by the network service providers. Whether use these functions, it depends on the Internet service provider who services for you. Without the company's permission, anyone should not use any forms or any ways to copy, excerpts, backup, modify, spread, translated into other languages, all or partly used for commercial.

- Indicator icon**
- Warning: may hurt themselves or others
 - Caution: may damage your equipment or other devices
 - Note: the annotations, use hints or additional information



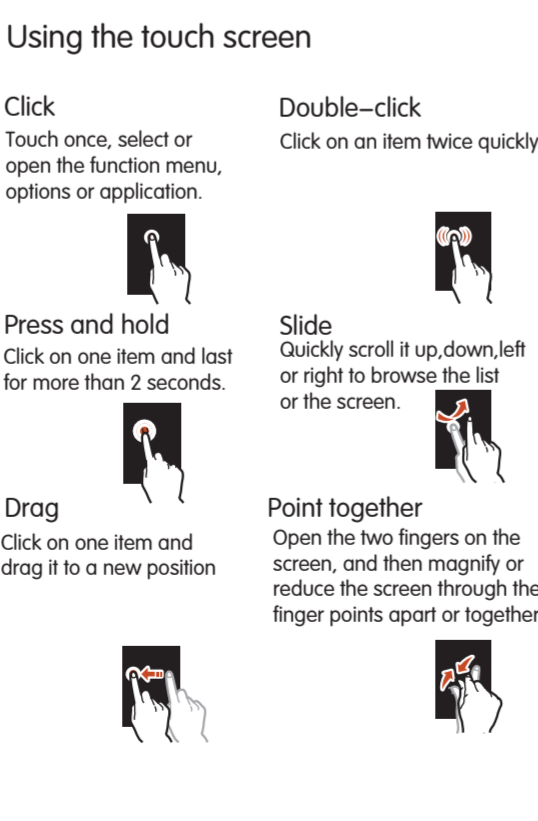
Charging for the battery

Before using the device for the first time or the battery is not used for a long time, you must first charge the battery. In the state of the power on or off, please ensure that close the battery cover when you charge the battery.

Only use the company matching chargers, battery and data cables. Using the charger or data cable without permission will cause the battery explosion or will damage the equipment. In the condition of charging, LED light shows red. When the LED light shows green, it expresses that the battery has been completed. When the battery is insufficient, the screen will show a warning message. When the power is too low, the device will shut down automatically.

Boot/Shutdown/Sleep/Wake up the machine

When you boot up the device, please press the on/off key in the top right corner. Then wait for some time, when it appears the boot screen, it will load the progress to complete and go into Android operating system. It needs a certain period of time at the beginning of the equipment initialization, so please kindly wait for it patiently. When shutdown the device, holding the device in the top right corner of the on/off key for a while. When it shows the shutdown options dialog box, click the shutdown to close the device.



Troubleshooting

After pressing the power button, the device is not on.

- When the battery has run out and it is unable to charge, please replace it.
- When the battery power is too low, please charge it.
- The device shows network or service error message
- When you're in the place where the signal is weak or receiving badly, it may be lost the absorbent capacity. So please try again after moving to other places.
- Touch screen response slowly or is not correct
- If the device has a touch screen but the touch screen response is not correct, please try the following:
 - Remove the touch screen of any protective film.
 - Please make sure that your fingers are dry and clean when you click the touch screen.
 - To remove any temporary software error, please restart the device.
 - If the touch screen is scratched or damaged, please contact seller.
- Device is frozen or severe mistake
 - If the device is frozen or hang, it may need to shut down the program or restart to regain the function. If the device is frozen or slow, hold down the power button for 6 seconds, then it will automatically restart.
- Standby time is short
 - Use the functions such as Bluetooth/WiFi/LAN/GPS/automatic rotating/data business. It will use more power, so we recommend you to close the functions when it is not in use.
 - If there are some programs in the background, close some not to Can't find another Bluetooth device
 - To ensure that the device has started the Bluetooth wireless function.
 - If the charger or the power cord is damaged, please do not continue to use, so as to avoid electric shock or fire.
 - Make sure that the distance between the two device is within the

Use Notes

The operating environment

- Please do not use this device in the thunderstorm weather, because the thunderstorm weather may result in the equipment failure, or click the danger.
- Please put the equipment from rain, moisture and liquids containing acidic substances, or it will make the electronic circuit boards corrosion.
- Don't store the device in overheating, high temperature, or it will shorten the life of electronic devices.
- Don't store the device in a too cold place, because when the device's temperature rises, moisture can form inside, and it might damage the circuit board.
- Do not attempt to disassemble the device, non-professional personnel handling can damage it.
- Do not throw, beat or intense crash the device, because rough treatment will destroy the device's parts, and it may cause the device failure.

Children's health

- Please put the device, its components and accessories in the place where children can't touch.
- This device is not toys, so children should be under adult supervision to use it.

The charger security

- When charging the device, power sockets should be installed near the device and should be easy to hit. And the areas must be far away from the debris, flammable or chemicals.
- Please do not fall or crash the charger. When the charger shell damaged, please ask the vendor for replacement.
- If the charger or the power cord is damaged, please do not continue to use, so as to avoid electric shock or fire.

The battery safety

- Please do not fall or crash the charger. When the charger shell damaged, please ask the vendor for replacement.
- Please do not use wet hand to touch the power cord, or with power supply cable way out the charger.
- The charger must meet the "2.5 restricted power" in the request of the standard GB4943.1 information technology equipment safety.
- If the device needs to connect USB port, please make sure the USB contains USB port - If logo and its performance is in accordance with the relevant specification of the USB - IF.
- Do not use the battery short circuit, or use a metal or other conductive objects to contact with the battery terminal.
- Please do not disassemble, squeeze, twist, pierce or cut the battery.
- Please do not insert foreign body in the battery, contact the battery with water or other liquid, make the cells exposed to fire, explosion or other risk sources.
- Do not put or store the battery in high temperature environment.
- Please do not put the battery in a microwave or in the dryer.
- Please do not throw the battery into the fire.
- If there is a battery leak, do not let the liquid on the skin or eyes, and if accidentally touched, please rinse with plenty of water, and seek for medical advice immediately.
- When a device in standby time obviously shorter than in the normal time, please replace the battery.

Repair and Maintenance

- Don't use strong chemicals or powerful detergent to clean the device. If it is dirty, please use a soft cloth to clean the surface with a very dilute solution of glass cleaner.
- Screen can be wiped with alcohol cloth, but be careful not to let the fluid accumulate around the screen. Dry the display with a soft non-woven cloth immediately, in order to prevent the screen from leaving the strip traces.

FCC Statement

This equipment has been tested and found to comply with the limits for a Class B digital device, pursuant to part 15 of the FCC Rules. These limits are designed to provide reasonable protection against harmful interference in a residential installation. This equipment generates, uses and can radiate radio frequency energy and, if not installed and used in accordance with the instructions, may cause harmful interference to radio or television reception, which can be determined by turning the equipment off and on, the user is encouraged to try to correct the interference by one or more of the following measures:

- Reorient or relocate the receiving antenna.
- Increase the separation between the equipment and receiver.
- Connect the equipment into an outlet on a circuit different from that to which the receiver is connected.
- Consult the dealer or an experienced radio/TV technician for help.

Caution: Any changes or modifications to this device not explicitly approved by manufacturer could void your authority to operate this equipment. This device complies with part 15 of the FCC Rules. Operation is subject to the following two conditions: (1) This device may not cause harmful interference, and (2) This device must accept any interference received, including interference that may cause undesired operation.

Specific Absorption Rate (SAR) information:

This POS Terminal meets the government's requirements for exposure to radio waves. The guidelines are based on standards that were developed by independent scientific organizations through periodic and thorough evaluation of scientific studies. The standards include a substantial safety margin designed to assure the safety of all persons regardless of age or health.

FCC RF Exposure Information and Statement the SAR limit of USA (FCC)

USA (FCC) is 1.6 W/kg averaged over one gram of tissue. Device types: POS Terminal has also been tested against this SAR limit. This device was tested for typical body-worn operations with the back of the phone kept 0mm from the body. To maintain compliance with FCC RF exposure requirements, use accessories that maintain an 0mm separation distance between the user's body and the back of the phone. The use of belt clips, holsters and similar accessories should not contain metallic components in its assembly. The use of accessories that do not satisfy these requirements may not comply with FCC RF exposure requirements, and should be avoided.