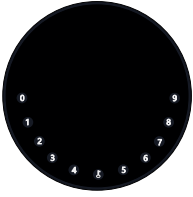


K12
USER MANUAL v3.0

What's Included



1 x KeyBox



1 x HELLO Card



2 x Screw Cap



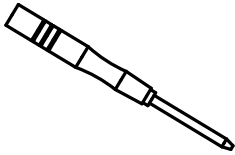
2 x Mounting Screws



2 x Screws Anchors



1 x Reset Tool

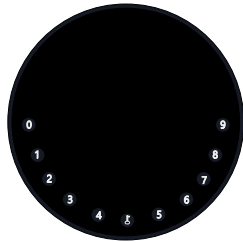


Screw Driver x 1

Specification

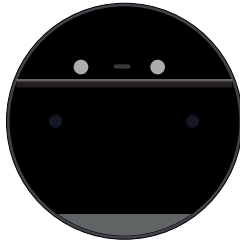
| | |
|-------------------------|--------------------------|
| Model | K12 |
| Material | Body Zinc Alloy, SUS304 |
| Battery | 4 x AAA Alkaline Battery |
| Unlock Mechanism | Bluetooth, PIN Code, App |
| Jump Start | USB-C |

Front



120mm (4- 7/10'')

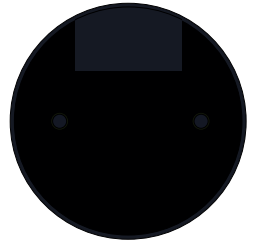
Inside



Depth

22mm (4/5 '')

Back



120mm (4- 7/10'')

m (m ' 0 ') Ø 1 / 7 - 4

m (m ' 0 ') Ø 1 / 7 - 4

Features

Lock&Unlock



Administrator Unlock

Set a Master Administrator PIN for Unlocking, settings, operations etc. and only the administrator could change the administrator PIN code.



Anti-peeping

Add up to 10 digits before and after PIN code to intensify your PINs.



User Unlock

This KeyBox allows to add up to 100 user PIN codes for your family, friends and visitors.



Auto Locking

If there are no opening motions in 10 seconds the box will be automatically locked.

Mobile Control



Bluetooth one-touch unlock

With your Mobile you could unlock the KeyBox by tapping the "🔒" on the App.



Offline Unlock

You could generate offline code through mobile App, for scheduled access, parcel delivery, housekeeping, etc.



Mobile Administrator

Set Administrator PIN Codes from your Mobile to unlock, add users, delete users, etc.

Battery



Battery Life

4 AAA batteries, the life cycle will be more than 12 months, please use good batteries.



Low Battery

When the battery runs out of power, system will remind you to replace the batteries.



Low Consumption

BLE broadcasting turns to sleep mode if no operations.

Emergency



Jump Start

When the power is down and use USB-C to jump start the lock and get it unlocked



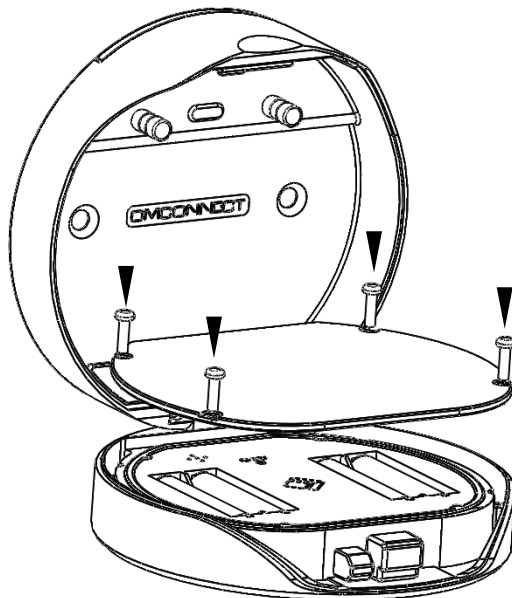
System Lockdown

The lock will be lockdown for 5 minutes if continuously enter wrong PINs for 5 times.

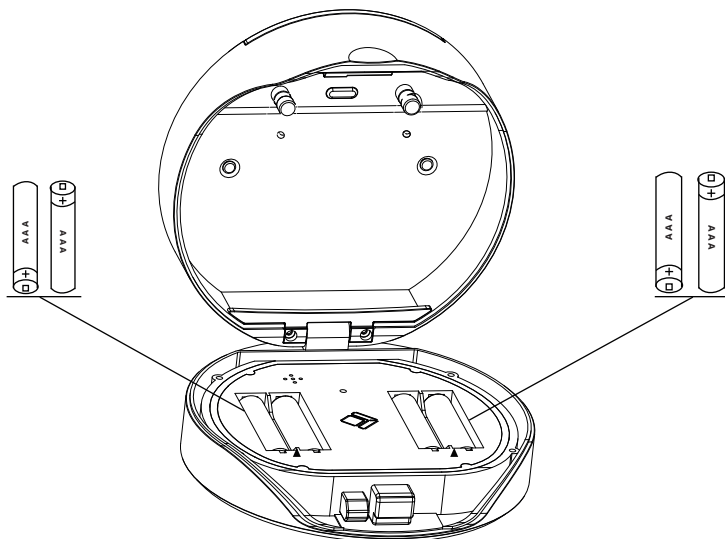
Quick Start

Step 1 > Install Battery

>. Remove the (4) screws on the battery cover



>. Put 4 AAA batteries into the battery dock.



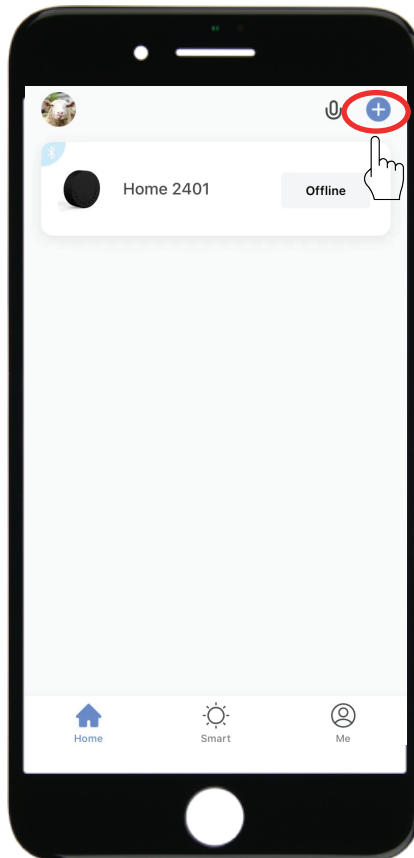
Step 2>Download Mobile App

>1. Scan QR Code below and download the App and turn on your mobile Bluetooth

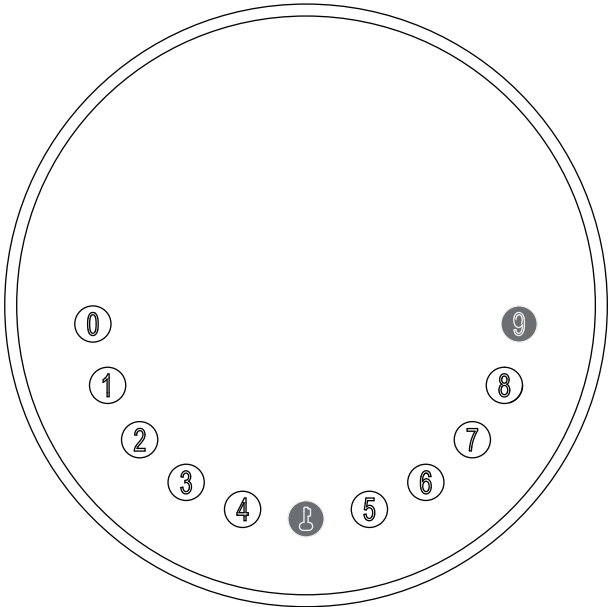


Step 3>Add Device

>1. Go to App Home page, click Add Device or click "+" on the upper right.

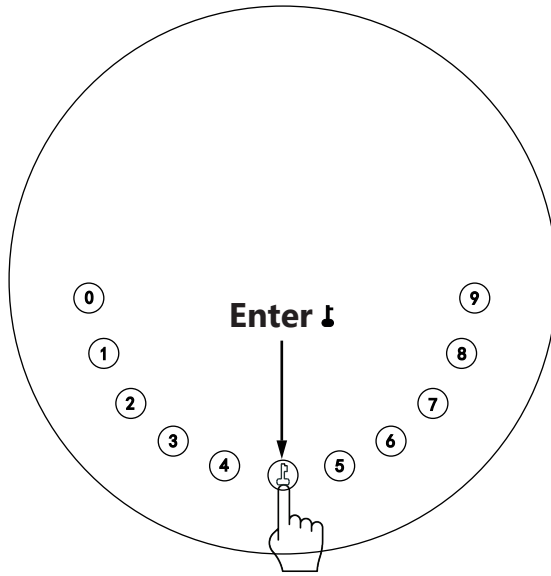


> 2. Press **⏏** +9+ **⏏** and enter Admin password + **⏏** , when the light slowly blinks in blue the KeyBox is ready to pair.



Step 4>Change Admin Password-Initial Admin Password:123456

>1. Press **↓** and hold for 3 beeps



>2. Right after the 3 beeps please key in:

Initial Admin Password + **↓**+new admin password+ **↓**+new admin password+ **↓**

Mechanical Instructions

Password & Factory Mode:

1. Password Length

Password must be 6 digits (no more no less)

2. Add User Password

Press **⏏** + 0 + **⏏** until the blue light blinks

> . Enter admin password + **⏏**

> . Enter new user password + **⏏**

> . Enter new user password again and press **⏏**

> . When the **⏏**(Enter button) blinks in green, user password has been set.

3. Delete User Password

Press **⏏** + 2 + **⏏** until the blue light blinks

> . Enter admin password and press **⏏**

> . Enter the user password you wish to delete and press **⏏**

> . Enter the user password again and press **⏏**

> . When the **⏏**(Enter button) blinks in green the password has been deleted.

4. Delete All User Password

Press **⏏** + 00000 + **⏏** until the blue light blinks

> . Enter admin password and press **⏏**

> . When the **⏏**(Enter button) blinks in green all passwords have been deleted.

5. Virtual digits-Anti Peeping

Add any digits before and after the correct password the KeyBox unlock as always

6. System Lockdown

KeyBox will Lockdown for 5 minutes if entering wrong password continuously 5 times

7. Reset Factory Mode

Press and hold the reset button for 5 seconds and with a long beep

Bluetooth broadcasting & re-connecting:

Bluetooth broadcasting will turn to sleep mode if no operations within 1 minute.

Press any key to activate the Bluetooth, App&Device will get reconnected each other.

FCC Statement

This equipment has been tested and found to comply with the limits for a Class B digital device, pursuant to part 15 of the FCC Rules. These limits are designed to provide reasonable protection against harmful interference in a residential installation. This equipment generates, uses and can radiate radio frequency energy and, if not installed and used in accordance with the instructions, may cause harmful interference to radio communications. However, there is no guarantee that interference will not occur in a particular installation. If this equipment does cause harmful interference to radio or television reception, which can be determined by turning the equipment off and on, the user is encouraged to try to correct the interference by one or more of the following measures:

- Reorient or relocate the receiving antenna.
- Increase the separation between the equipment and receiver.
- Connect the equipment into an outlet on a circuit different from that to which the receiver is connected.
- Consult the dealer or an experienced radio/TV technician for help.

Caution: Any changes or modifications to this device not explicitly approved by manufacturer could void your authority to operate this equipment.

This device complies with part 15 of the FCC Rules. Operation is subject to the following two conditions: (1) This device may not cause harmful interference, and (2) this device must accept any interference received, including interference that may cause undesired operation.

RF Exposure Information

The device has been evaluated to meet general RF exposure requirement. The device can be used in portable exposure condition without restriction.

OMCONNECT
DESIGNED IN FRANCE MADE IN CHINA
COPYRIGHT © 2021 OMFOCUS TECH. ALL RIGHTS RESERVED.