

S

T

S

L

A

B



RADIO TEST REPORT

Report No.: STS2205301W02

Issued for

Vasco Electronics Goralski Group S.K.A.

Al. 29 listopada 20, post code: 31-401 city: Krakow, Poland

Product Name:	Vasco Smart Voice Translator
Brand Name:	Vasco
Model Name:	Vasco Translator
Series Model:	M3, M3 PRO, M4, M5, M55, M6
FCC ID:	2A6YYVASCO30
Test Standard:	47 CFR Part 2, 22, 24(E), 27

Any reproduction of this document must be done in full. No single part of this document may be reproduced without permission from STS, all test data presented in this report is only applicable to presented test sample.

Shenzhen STS Test Services Co., Ltd.
A 1/F, Building B, Zhuoke Science Park, No.190 Chongqing Road, HepingShequ,
Fuyong Sub-District, Bao'an District, Shenzhen, Guang Dong, China
TEL: +86-755 3688 6288 FAX: +86-755 3688 6277 E-mail:sts@stsapp.com



**TEST RESULT CERTIFICATION**

Applicant's Name: Vasco Electronics Goralski Group S.K.A.
Address: Al. 29 listopada 20, post code: 31-401 city: Krakow, Poland
Manufacturer's Name: SHENZHEN SET INNOVATION LIMITED
Address: B203, Liuwei business center, Yangmei community, Bantian street, Longgang District, Shenzhen, China.

Product Description

Product Name: Vasco Smart Voice Translator
Brand Name: Vasco
Model Name: Vasco Translator
Series Model: M3, M3 PRO, M4, M5, M55, M6

Test Standards: 47 CFR Part 2, 22, 24(E), 27
Test Procedure: KDB 971168 D01 v03r01, ANSI C63.26 2015

This device described above has been tested by STS, the test results show that the equipment under test (EUT) is in compliance with the FCC requirements. And it is applicable only to the tested sample identified in the report.

This report shall not be reproduced except in full, without the written approval of STS, this document may be altered or revised by STS, personal only, and shall be noted in the revision of the document.

Date of Test:
Date of receipt of test item: 09 July 2021
Date (s) of performance of tests .: 09 July 2021 ~ 03 Aug. 2021
Date of Issue: 19 May 2022
Test Result: Pass

Testing Engineer :

(Chris Chen)

Technical Manager :

(Sean she)

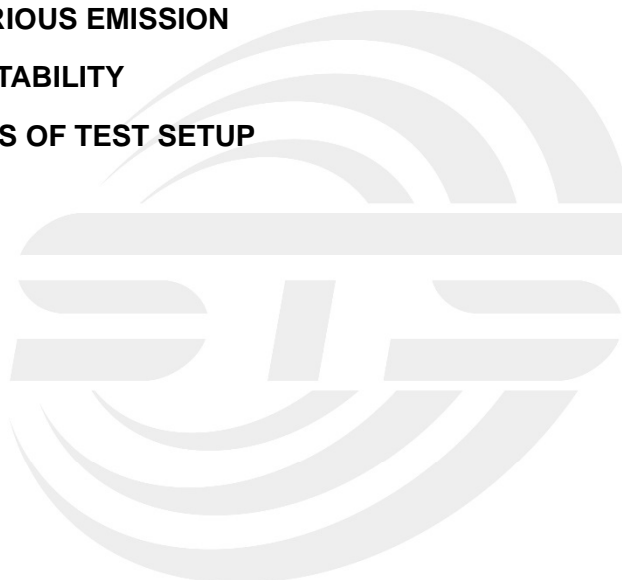
Authorized Signatory :

(Bovey Yang)





Table of Contents	Page
1. TEST FACTORY & MEASUREMENT UNCERTAINTY	5
2. GENERAL INFORMATION	6
3. CONDUCTED OUTPUT POWER	15
4. PEAK-TO-AVERAGE RATIO	27
5. RADIATED POWER AND EFFECTIVE ISOTROPIC RADIATED POWER	29
6. OCCUPIED BANDWIDTH	42
7. CONDUCTED BAND EDGE	45
8. CONDUCTED SPURIOUS EMISSION	47
9. RADIATED SPURIOUS EMISSION	48
10. FREQUENCY STABILITY	72
APPENDIX-PHOTOS OF TEST SETUP	78





Revision History

Rev.	Issue Date	Report NO.	Effect Page	Contents
00	19 May 2022	STS2205301W02	ALL	Initial Issue





1. TEST FACTORY & MEASUREMENT UNCERTAINTY

1.1 TEST FACTORY

SHENZHEN STS TEST SERVICES CO., LTD

Add. : A 1/F, Building B, Zhuoke Science Park, No.190 Chongqing Road, HepingShequ, Fuyong Sub-District, Bao'an District, Shenzhen, Guang Dong, China

FCC test Firm Registration Number: 625569

IC test Firm Registration Number: 12108A

A2LA Certificate No.: 4338.01

1.2 MEASUREMENT UNCERTAINTY

The reported uncertainty of measurement $y \pm U$, where expanded uncertainty U is based on a standard uncertainty multiplied by a coverage factor of $k=2$, providing a level of confidence of approximately 95 %.

No.	Item	Uncertainty
1	RF output power, conducted	$\pm 0.68\text{dB}$
2	Unwanted Emissions, conducted	$\pm 2.988\text{dB}$
3	All emissions, radiated 9K-30MHz	$\pm 2.84\text{dB}$
4	All emissions, radiated 30M-1GHz	$\pm 4.39\text{dB}$
5	All emissions, radiated 1G-6GHz	$\pm 5.10\text{dB}$
6	All emissions, radiated >6G	$\pm 5.48\text{dB}$
7	Conducted Emission (9KHz-150KHz)	$\pm 2.79\text{dB}$
8	Conducted Emission (150KHz-30MHz)	$\pm 2.80\text{dB}$



2. GENERAL INFORMATION

2.1 TECHNICAL SPECIFICATIONS AND REGULATIONS

2.1.1 PRODUCT DESCRIPTION

A major technical description of EUT is described as following:

Product Name/PMN	Vasco Smart Voice Translator
Trade Name	Vasco
Model Name/HVIN	Vasco Translator
Series Model	M3, M3 PRO, M4, M5, M55, M6
Model Difference	Only different in model name.
Frequency Bands	U.S. Bands: LTE FDD Band 2 LTE FDD Band 4 LTE FDD Band 5 LTE FDD Band 7 LTE FDD Band 17
SIM Card	Only support single SIM Card.
Antenna	PIFA
Antenna gain	0.5dBi
Battery	Rated Voltage: Rated Voltage: 3.8V Charge Limit Voltage: 4.35V±0.05V Capacity: 1700mAh
Adapter	Input: AC 100-240V 50/60Hz 0.3A Output: DC 5V 1.0A Max
Extreme Vol. Limits	3.42V to 4.18V (Nominal 3.8V)
Extreme Temp. Tolerance	-30°C to +50°C
Hardware version number	F202_MB_V01
Software version number/FVIN	V1.0
Serial Numbers	VEVNMT1701230651



2.1.2 PRODUCT SPECIFICATION SUBJECTIVE TO THIS STANDARD

Product Specification Subjective To This Standard	
Tx Frequency	LTE Band 2:1850~1910MHz LTE Band 4:1710~1755MHz LTE Band 5:824~849MHz LTE Band 7:2500~2570MHz LTE Band 17:704~716MHz
Rx Frequency	LTE Band 2:1930 ~1990MHz LTE Band 4:2110~2155MHz LTE Band 5:869~894MHz LTE Band 7:2620~2690MHz LTE Band 17:734~746MHz
Bandwidth	LTE Band 2: 1.4MHz / 3MHz / 5MHz / 10MHz / 15MHz / 20MHz LTE Band 4: 1.4MHz / 3MHz / 5MHz / 10MHz / 15MHz /20MHz LTE Band 5: 1.4MHz / 3MHz / 5MHz / 10MHz LTE Band 7: 5MHz / 10MHz / 15MHz /20MHz LTE Band 17: 5MHz / 10MHz
Maximum Output Power	LTE Band 2: 23.43 dBm LTE Band 4: 22.79 dBm LTE Band 5: 22.57 dBm LTE Band 7: 21.64 dBm LTE Band 17: 22.55 dBm
Type of Modulation	QPSK /16QAM

RF Function	Band	UE Category UL	Modulation	Power Class	Ant Gain(dBi)	Ant Type	SIM Card
LTE	FDD:2/4/5/7/17	4	UL: QPSK, 16QAM, 64QAM DL: QPSK, 16QAM, 64QAM	3	0.5dBi	PIFA	1 SIM 1 is used to tested.



2.1.3 EMISSION DESIGNATOR

LTE Band 2	Emission Designator	Emission Designator
BW(MHz)	(99%OBW)QPSK	(99%OBW)16QAM
1.4	1M10G7D	1M10W7D
3	2M68G7D	2M68W7D
5	4M54G7D	4M54W7D
10	8M92G7D	8M88W7D
15	13M5G7D	13M5W7D
20	17M9G7D	17M9W7D
LTE Band 4	Emission Designator	Emission Designator
BW(MHz)	(99%OBW)QPSK	(99%OBW)16QAM
1.4	1M10G7D	1M10W7D
3	2M69G7D	2M68W7D
5	4M54G7D	4M54W7D
10	8M94G7D	8M94W7D
15	13M5G7D	13M5W7D
20	17M9G7D	17M9W7D
LTE Band 5	Emission Designator	Emission Designator
BW(MHz)	(99%OBW)QPSK	(99%OBW)16QAM
1.4	1M11G7D	1M10W7D
3	2M69G7D	2M68W7D
5	4M53G7D	4M54W7D
10	8M97G7D	8M96W7D
LTE Band 7	Emission Designator	Emission Designator
BW(MHz)	(99%OBW)QPSK	(99%OBW)16QAM
5	4M53G7D	4M54W7D
10	8M95G7D	8M94W7D
15	13M5G7D	13M5W7D
20	17M9G7D	18M0W7D
LTE Band 17	Emission Designator	Emission Designator
BW(MHz)	(99%OBW)QPSK	(99%OBW)16QAM
5	4M53G7D	4M54W7D
10	8M97G7D	8M96W7D



2.1.4 TEST CONFIGURATION OF EQUIPMENT UNDER TEST

Antenna port conducted and radiated test items listed below are performed according to KDB 971168 D01 v03r01 and ANSI C63.26 2015 Power Meas. License Digital Systems with maximum output power. Radiated measurements are performed by rotating the EUT in three different orthogonal test planes to find the maximum emission.

Remark:

1. The mark 'v' means that this configuration is chosen for testing
2. The mark '-' means that this bandwidth is not supported.
3. The device is investigated from 30MHz to 10 times of fundamental signal for radiated

ITEMS	Band	Bandwidth (MHz)						Modulation		RB #			Test Channel		
		1.4	3	5	10	15	20	QPSK	16QAM	1	Half	Full	L	M	H
Max. Output Power	2	v	v	v	v	v	v	v	v	v	v	v	v	v	v
	4	v	v	v	v	v	v	v	v	v	v	v	v	v	v
	5	v	v	v	v			v	v	v	v	v	v	v	v
	7			v	v	v	v	v	v	v	v	v	v	v	v
	17			v	v			v	v	v	v	v	v	v	v
Peak&Avera Ratio	2						v	v	v	v		v	v	v	v
	4						v	v	v	v		v	v	v	v
	5				v			v	v	v		v	v	v	v
	7						v	v	v	v		v	v	v	v
	17				v			v	v	v		v	v	v	v
26dB&99% Bandwidth	2	v	v	v	v	v	v	v	v			v	v	v	v
	4	v	v	v	v	v	v	v	v			v	v	v	v
	5	v	v	v	v			v	v			v	v	v	v
	7			v	v	v	v	v	v			v	v	v	v
	17			v	v			v	v			v	v	v	v
Conducted Band Edge	2	v	v	v	v	v	v	v	v	v		v	v	v	v
	4	v	v	v	v	v	v	v	v			v	v	v	v
	5	v	v	v	v			v	v	v		v	v	v	v
	7			v	v	v	v	v	v	v		v	v	v	v
	17			v	v			v	v	v		v	v	v	v
Conducted Spurious Emission	2	v	v	v	v	v	v	v	v	v			v	v	v
	4	v	v	v	v	v	v	v	v	v			v	v	v
	5	v	v	v	v			v	v	v			v	v	v
	7			v	v	v	v	v	v	v			v	v	v
	17			v	v			v	v	v			v	v	v
Frequency Stability	2				v			v				v		v	
	4				v			v				v		v	
	5				v			v				v		v	
	7				v			v				v		v	
	17				v			v				v		v	



E.R.P.& E.I.R.P.	2	v	v	v	v	v	v	v	v	v			v	v	v
	4	v	v	v	v	v	v	v	v	v			v	v	v
	5	v	v	v	v			v	v	v			v	v	v
	7			v	v	v	v	v	v	v			v	v	v
	17			v	v			v	v	v			v	v	v
	71			v	v	v	v	v	v	v			v	v	v
Radiated Spurious Emission	2	v	v	v	v	v	v	v		v			v	v	v
	4	v	v	v	v	v	v	v		v			v	v	v
	5	v	v	v	v			v		v			v	v	v
	7			v	v	v	v	v		v			v	v	v
	17			v	v			v		v			v	v	v





2.1.5 RELATED SUBMITTAL(S) / GRANT (S)

This submittal(s) (test report) is intended for filing to comply with the 47 CFR Part 2, 22, 24(E), 27.

2.1.6 SPECIAL ACCESSORIES

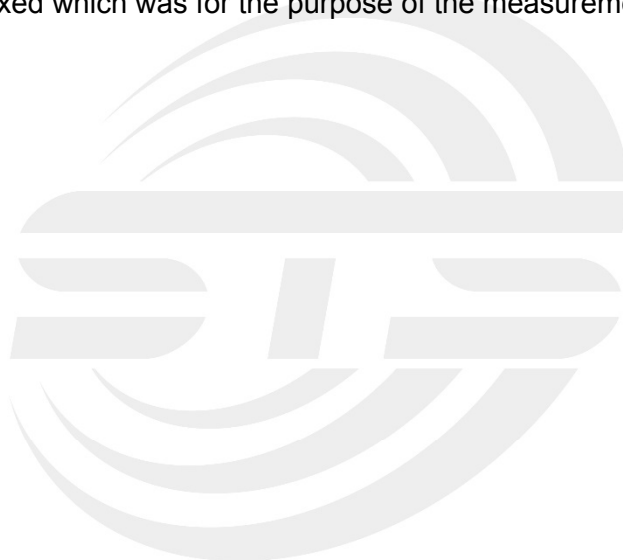
The battery and the charger, earphone supplied by the applicant were used as accessories and being tested with eut intended for fcc grant together.

2.1.7 EUT CONFIGURATION

The EUT configuration for testing is installed on RF field strength measurement to meet the Commission's requirement and operating in a manner which intends to maximize its emission characteristics in a continuous normal application.

2.1.8 EUT EXERCISE

The Transmitter was operated in the maximum output power mode through Communication Tester. The TX frequency was fixed which was for the purpose of the measurements.





2.1.9 CONFIGURATION OF EUT SYSTEM

The EUT configuration for testing is installed on RF field strength measurement to meet the Commission's requirement and operating in a manner which intends to maximize its emission characteristics in a continuous normal application.

E-1 EUT

Table 2-1 Equipment Used in EUT System

Item	Equipment	Model No.	Length	Note
N/A	N/A	N/A	N/A	N/A

Note:

- (1) The support equipment was authorized by Declaration of Confirmation.
- (2) For detachable type I/O cable should be specified the length in cm in 『Length』 column.



2.1.10 MEASUREMENT INSTRUMENTS

The radiated emission testing was performed according to the procedures of ANSI C63.26 2015 and FCC CFR 47 rules of 2.1046, 2.1047, 2.1049, 2.1051, 2.1053, 2.1055, 2.1057.

Radiation Test equipment

Kind of Equipment	Manufacturer	Type No.	Serial No.	Last calibration	Calibrated until
Test Receiver	R&S	ESCI	101427	2020.10.12	2021.10.11
Signal Analyzer	R&S	FSV 40-N	101823	2020.10.10	2021.10.09
Signal Generator	Agilent	83752A	3610A02740	2020.10.10	2021.10.09
Wireless Communications Test Set	R&S	CMW 500	133884	2021.03.04	2022.03.03
Bilog Antenna	TESEQ	CBL6111D	34678	2020.10.12	2022.10.11
Horn Antenna	SCHWARZBECK	BBHA 9120D	02014	2019.10.15	2021.10.14
Bilog Antenna	TESEQ	CBL6111D	45873	2020.10.12	2022.10.11
Horn Antenna	SCHWARZBECK	BBHA 9120D	9120D-1343	2020.10.12	2022.10.11
SHF-EHF Horn Antenna (18G-40GHz)	A-INFO	LB-180400-KF	J211020657	2020.10.12	2022.10.11
Pre-Amplifier (0.1M-3GHz)	EM	EM330	060665	2020.10.12	2021.10.11
Pre-Amplifier (1G-18GHz)	SKET	LNPA-01018G-45	SK2018080901	2020.10.12	2021.10.11
Pre-Amplifier (18G-40GHz)	SKET	LNPA-1840-50	SK2018101801	2020.10.10	2021.10.09
Turn table	EM	SC100_1	60531	N/A	N/A
Antenna mast	EM	SC100	N/A	N/A	N/A
Temperature & Humidity	HH660	Mieo	N/A	2020.10.13	2021.10.12
Test SW	BALUN	BL410-E/18.905			

RF Connected Test

Kind of Equipment	Manufacturer	Type No.	Serial No.	Last calibration	Calibrated until
Universal Radio communication tester	R&S	CMU200	119907	2020.10.12	2021.10.11
Wireless Communications Test Set	R&S	CMW 500	133884	2021.03.04	2022.03.03
Signal Analyzer	Agilent	N9020A	MY52440124	2021.03.04	2022.03.03
Temperature & Humidity test chamber	Safety test	AG80L	171200018	2021.03.04	2022.03.03
Programmable power supply	Agilent	E3642A	MY40002025	2020.10.12	2021.10.11
Temperature & Humidity	SW-108	SuWei	N/A	2021.03.04	2022.03.03
Temperature & Humidity	HH660	Mieo	N/A	2019.10.17	2020.10.16
Test SW	FARAD	LZ-RF /LzRf-3A3			



2.1.11 MEASUREMENT RESULTS EXPLANATION EXAMPLE

For all conducted test items:

The offset level is set in the spectrum analyzer to compensate the RF cable loss and attenuator factor between EUT conducted output port and spectrum analyzer. With the offset compensation, the spectrum analyzer reading level is exactly the EUT RF output level.

The spectrum analyzer offset is derived from RF cable loss and attenuator factor.

Offset = RF Cable Loss + Attenuator Factor.



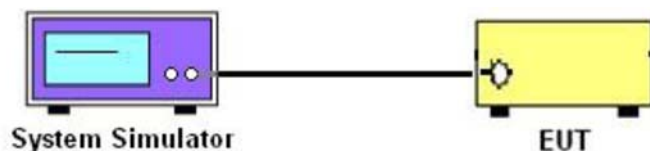
3. CONDUCTED OUTPUT POWER

3.1 DESCRIPTION OF THE CONDUCTED OUTPUT POWER MEASUREMENT

3.1.1 MEASUREMENT METHOD

A system simulator was used to establish communication with the eut. Its parameters were set to force the eut transmitting at maximum output power. The measured power in the radio frequency on the transmitter output terminals shall be reported. Configuration follows IC RSS- Rule.

3.1.2 TEST SETUP



3.1.3 TEST PROCEDURES

1. The transmitter output port was connected to system simulator.
2. Set EUT at maximum power through the system simulator.
3. Select lowest/middle/highest channels for each band and different modulation.
4. Measure and record the power level from the system simulator.



3.1.4 TEST RESULTS

LTE Band 2 Maximum Average Power [dBm]						
BW [MHz]	RB Size	RB Offset	Mod	Lowest	Middle	Highest
1.4	1	0	QPSK	23.22	23.24	23.16
1.4	1	2		22.97	23.13	22.94
1.4	1	5		22.74	22.91	22.69
1.4	3	0		22.48	22.63	22.40
1.4	3	1		22.26	22.34	22.11
1.4	3	2		21.99	22.04	21.90
1.4	6	0		21.74	21.80	21.69
1.4	1	0	16-QAM	23.04	23.09	22.96
1.4	1	2		22.77	22.85	22.68
1.4	1	5		22.51	22.56	22.43
1.4	3	0		22.21	22.29	22.17
1.4	3	1		21.97	22.01	21.96
1.4	3	2		21.68	21.75	21.71
1.4	6	0		21.42	21.46	21.50
3	1	0	QPSK	23.16	23.20	23.25
3	1	7		22.90	22.93	22.99
3	1	14		22.63	22.64	22.77
3	8	0		22.39	22.36	22.53
3	8	4		22.16	22.06	22.29
3	8	7		21.95	21.80	22.09
3	15	0		21.66	21.59	21.88
3	1	0	16-QAM	22.95	22.97	23.03
3	1	7		22.68	22.73	22.74
3	1	14		22.39	22.44	22.47
3	8	0		22.17	22.17	22.17
3	8	4		21.96	21.97	21.93
3	8	7		21.69	21.72	21.64
3	15	0		21.41	21.48	21.43



LTE Band 2 Maximum Average Power [dBm]						
BW [MHz]	RB Size	RB Offset	Mod	Lowest	Middle	Highest
5	1	0	QPSK	23.35	23.31	23.01
5	1	12		23.13	23.05	22.78
5	1	24		22.93	22.76	22.56
5	12	0		22.64	22.49	22.27
5	12	6		22.37	22.26	22.06
5	12	11		22.09	22.02	21.81
5	25	0		21.87	21.75	21.61
5	1	0	16-QAM	23.14	23.01	22.78
5	1	12		22.86	22.79	22.54
5	1	24		22.60	22.55	22.24
5	12	0		22.31	22.29	21.97
5	12	6		22.10	22.06	21.73
5	12	11		21.83	21.76	21.47
5	25	0		21.54	21.55	21.26
10	1	0	QPSK	23.04	23.10	23.08
10	1	24		22.74	22.89	22.81
10	1	49		22.52	22.62	22.53
10	25	0		22.29	22.35	22.27
10	25	12		22.03	22.07	22.01
10	25	24		21.80	21.78	21.74
10	50	0		21.52	21.52	21.52
10	1	0	16-QAM	22.74	22.90	22.80
10	1	24		22.48	22.68	22.54
10	1	49		22.20	22.38	22.33
10	25	0		21.90	22.11	22.12
10	25	12		21.64	21.85	21.87
10	25	24		21.41	21.63	21.62
10	50	0		21.19	21.43	21.35



LTE Band 2 Maximum Average Power [dBm]						
BW [MHz]	RB Size	RB Offset	Mod	Lowest	Middle	Highest
15	1	0	QPSK	23.27	23.36	23.29
15	1	37		23.02	23.14	23.06
15	1	74		22.81	22.92	22.83
15	36	0		22.61	22.71	22.60
15	36	18		22.32	22.50	22.35
15	36	39		22.06	22.28	22.14
15	75	0		21.79	22.03	21.90
15	1	0	16-QAM	23.03	23.15	22.99
15	1	38		22.83	22.87	22.78
15	1	75		22.63	22.60	22.54
15	36	0		22.35	22.34	22.32
15	36	18		22.08	22.09	22.11
15	36	39		21.80	21.82	21.83
15	75	0		21.53	21.57	21.60
20	1	0	QPSK	23.43	23.39	23.41
20	1	49		23.17	23.14	23.17
20	1	99		22.90	22.87	22.87
20	50	0		22.61	22.59	22.63
20	50	24		22.33	22.34	22.41
20	50	49		22.11	22.06	22.17
20	100	0		21.85	21.82	21.88
20	1	0	16-QAM	23.19	23.18	23.18
20	1	49		22.96	22.90	22.94
20	1	99		22.68	22.65	22.71
20	50	0		22.41	22.38	22.44
20	50	24		22.16	22.12	22.17
20	50	49		21.87	21.87	21.90
20	100	0		21.65	21.57	21.69



LTE Band 4 Maximum Average Power [dBm]						
BW [MHz]	RB Size	RB Offset	Mod	Lowest	Middle	Highest
1.4	1	0	QPSK	22.67	22.48	22.51
1.4	1	2		22.45	22.27	22.25
1.4	1	5		22.18	21.99	22.04
1.4	3	0		21.93	21.73	21.74
1.4	3	1		21.69	21.45	21.52
1.4	3	2		21.41	21.18	21.26
1.4	6	0		21.16	20.90	21.05
1.4	1	0	16-QAM	22.44	22.22	22.24
1.4	1	2		22.19	21.93	22.03
1.4	1	5		21.95	21.70	21.77
1.4	3	0		21.71	21.45	21.48
1.4	3	1		21.48	21.20	21.19
1.4	3	2		21.25	20.97	20.90
1.4	6	0		20.97	20.71	20.63
3	1	0	QPSK	22.65	22.48	22.53
3	1	7		22.45	22.22	22.29
3	1	14		22.23	22.01	22.03
3	8	0		21.95	21.71	21.80
3	8	4		21.75	21.50	21.54
3	8	7		21.46	21.30	21.25
3	15	0		21.25	21.05	20.97
3	1	0	16-QAM	22.43	22.24	22.27
3	1	7		22.15	21.97	22.00
3	1	14		21.89	21.72	21.74
3	8	0		21.60	21.43	21.52
3	8	4		21.32	21.22	21.25
3	8	7		21.04	21.01	20.96
3	15	0		20.74	20.73	20.71



LTE Band 4 Maximum Average Power [dBm]						
BW [MHz]	RB Size	RB Offset	Mod	Lowest	Middle	Highest
5	1	0	QPSK	22.76	22.49	22.59
5	1	12		22.51	22.21	22.38
5	1	24		22.31	21.95	22.08
5	12	0		22.09	21.71	21.83
5	12	6		21.86	21.47	21.62
5	12	11		21.63	21.18	21.35
5	25	0		21.34	20.94	21.05
5	1	0	16-QAM	22.49	22.23	22.36
5	1	12		22.21	21.98	22.10
5	1	24		22.01	21.75	21.89
5	12	0		21.79	21.46	21.64
5	12	6		21.55	21.17	21.41
5	12	11		21.28	20.90	21.15
5	25	0		20.98	20.64	20.94
10	1	0	QPSK	22.35	22.40	22.36
10	1	24		22.10	22.15	22.08
10	1	49		21.83	21.94	21.80
10	25	0		21.61	21.68	21.56
10	25	12		21.36	21.40	21.31
10	25	24		21.11	21.19	21.04
10	50	0		20.82	20.94	20.79
10	1	0	16-QAM	22.09	22.11	22.16
10	1	24		21.82	21.88	21.95
10	1	49		21.56	21.60	21.73
10	25	0		21.35	21.32	21.47
10	25	12		21.07	21.11	21.20
10	25	24		20.77	20.84	20.94
10	50	0		20.47	20.64	20.68



LTE Band 4 Maximum Average Power [dBm]						
BW [MHz]	RB Size	RB Offset	Mod	Lowest	Middle	Highest
15	1	0	QPSK	22.53	22.28	22.42
15	1	37		22.29	22.04	22.14
15	1	74		22.05	21.75	21.84
15	36	0		21.82	21.51	21.57
15	36	18		21.62	21.30	21.34
15	36	39		21.33	21.06	21.13
15	75	0		21.05	20.84	20.91
15	1	0	16-QAM	22.29	22.03	22.17
15	1	38		22.06	21.80	21.92
15	1	75		21.85	21.56	21.64
15	36	0		21.61	21.28	21.38
15	36	18		21.41	21.01	21.10
15	36	39		21.11	20.78	20.81
15	75	0		20.84	20.49	20.55
20	1	0	QPSK	22.79	22.58	22.62
20	1	49		22.50	22.36	22.37
20	1	99		22.25	22.09	22.11
20	50	0		21.98	21.81	21.89
20	50	24		21.76	21.58	21.68
20	50	49		21.51	21.29	21.40
20	100	0		21.24	20.99	21.12
20	1	0	16-QAM	22.58	22.29	22.33
20	1	49		22.29	22.07	22.07
20	1	99		22.02	21.78	21.80
20	50	0		21.72	21.55	21.54
20	50	24		21.52	21.30	21.33
20	50	49		21.23	21.06	21.09
20	100	0		20.97	20.76	20.82



LTE Band 5 Maximum Average Power [dBm]						
BW [MHz]	RB Size	RB Offset	Mod	Lowest	Middle	Highest
1.4	1	0	QPSK	22.34	22.46	22.40
1.4	1	2		22.12	22.17	22.12
1.4	1	5		21.90	21.90	21.87
1.4	3	0		21.67	21.60	21.67
1.4	3	1		21.41	21.39	21.46
1.4	3	2		21.15	21.15	21.23
1.4	6	0		20.91	20.95	20.98
1.4	1	0	16-QAM	22.04	22.21	22.13
1.4	1	2		21.76	21.99	21.91
1.4	1	5		21.53	21.78	21.68
1.4	3	0		21.30	21.51	21.46
1.4	3	1		21.00	21.21	21.16
1.4	3	2		20.77	20.97	20.93
1.4	6	0		20.51	20.75	20.70
3	1	0	QPSK	22.48	22.35	22.57
3	1	7		22.27	22.07	22.35
3	1	14		21.98	21.84	22.14
3	8	0		21.78	21.59	21.90
3	8	4		21.53	21.37	21.63
3	8	7		21.29	21.15	21.39
3	15	0		21.05	20.86	21.18
3	1	0	16-QAM	22.27	22.08	22.31
3	1	7		22.06	21.82	22.04
3	1	14		21.80	21.60	21.80
3	8	0		21.55	21.34	21.52
3	8	4		21.30	21.13	21.31
3	8	7		21.09	20.93	21.03
3	15	0		20.82	20.69	20.82



LTE Band 5 Maximum Average Power [dBm]						
BW [MHz]	RB Size	RB Offset	Mod	Lowest	Middle	Highest
5	1	0	QPSK	22.28	22.41	22.35
5	1	12		21.99	22.14	22.13
5	1	24		21.70	21.92	21.85
5	12	0		21.44	21.66	21.56
5	12	6		21.18	21.44	21.28
5	12	11		20.96	21.17	20.98
5	25	0		20.69	20.97	20.76
5	1	0	16-QAM	22.03	22.21	22.06
5	1	12		21.82	21.98	21.78
5	1	24		21.60	21.77	21.49
5	12	0		21.34	21.52	21.27
5	12	6		21.08	21.23	21.00
5	12	11		20.88	20.95	20.78
5	25	0		20.63	20.69	20.55
10	1	0	QPSK	22.46	22.52	22.48
10	1	24		22.23	22.31	22.24
10	1	49		22.03	22.03	22.04
10	25	0		21.81	21.74	21.77
10	25	12		21.59	21.53	21.51
10	25	24		21.39	21.25	21.24
10	50	0		21.17	20.99	20.95
10	1	0	16-QAM	22.18	22.23	22.21
10	1	24		21.95	22.02	21.97
10	1	49		21.68	21.79	21.74
10	25	0		21.41	21.52	21.50
10	25	12		21.13	21.24	21.26
10	25	24		20.86	21.03	21.06
10	50	0		20.62	20.79	20.77



LTE Band 7 Maximum Average Power [dBm]						
BW [MHz]	RB Size	RB Offset	Mod	Lowest	Middle	Highest
5	1	0	QPSK	21.43	21.49	21.36
5	1	12		21.16	21.27	21.07
5	1	24		20.87	21.06	20.86
5	12	0		20.64	20.78	20.61
5	12	6		20.44	20.53	20.39
5	12	11		20.17	20.32	20.13
5	25	0		19.89	20.07	19.90
5	1	0		21.23	21.23	21.15
5	1	12	16-QAM	21.00	20.93	20.86
5	1	24		20.70	20.72	20.60
5	12	0		20.47	20.46	20.39
5	12	6		20.18	20.26	20.12
5	12	11		19.91	20.03	19.83
5	25	0		19.67	19.78	19.56
10	1	0		21.51	21.64	21.59
10	1	24	QPSK	21.28	21.37	21.39
10	1	49		21.03	21.14	21.11
10	25	0		20.79	20.92	20.86
10	25	12		20.54	20.71	20.66
10	25	24		20.30	20.43	20.39
10	50	0		20.02	20.17	20.11
10	1	0		21.28	21.38	21.30
10	1	24	16-QAM	21.05	21.15	21.02
10	1	49		20.84	20.86	20.80
10	25	0		20.60	20.63	20.55
10	25	12		20.38	20.36	20.33
10	25	24		20.11	20.13	20.09
10	50	0		19.91	19.87	19.80



LTE Band 7 Maximum Average Power [dBm]						
BW [MHz]	RB Size	RB Offset	Mod	Lowest	Middle	Highest
15	1	0	QPSK	21.56	21.47	21.33
15	1	37		21.27	21.20	21.08
15	1	74		21.00	20.99	20.79
15	36	0		20.76	20.73	20.52
15	36	18		20.53	20.46	20.30
15	36	39		20.32	20.21	20.06
15	75	0		20.02	19.96	19.77
15	1	0	16-QAM	21.32	21.26	21.09
15	1	38		21.02	20.99	20.83
15	1	75		20.76	20.75	20.59
15	36	0		20.52	20.50	20.31
15	36	18		20.27	20.22	20.02
15	36	39		20.00	19.93	19.77
15	75	0		19.71	19.68	19.51
20	1	0	QPSK	21.62	21.58	21.52
20	1	49		21.40	21.29	21.27
20	1	99		21.11	21.01	21.04
20	50	0		20.91	20.73	20.76
20	50	24		20.62	20.50	20.48
20	50	49		20.35	20.20	20.26
20	100	0		20.09	19.95	20.02
20	1	0	16-QAM	21.34	21.30	21.32
20	1	49		21.13	21.05	21.10
20	1	99		20.91	20.82	20.81
20	50	0		20.66	20.57	20.53
20	50	24		20.38	20.36	20.29
20	50	49		20.12	20.16	20.03
20	100	0		19.86	19.87	19.79



LTE Band 17 Maximum Average Power [dBm]						
BW [MHz]	RB Size	RB Offset	Mod	Lowest	Middle	Highest
5	1	0	QPSK	22.48	22.43	22.51
5	1	12		22.26	22.23	22.26
5	1	24		21.98	21.99	22.00
5	12	0		21.75	21.76	21.77
5	12	6		21.49	21.50	21.51
5	12	11		21.29	21.23	21.21
5	25	0		21.02	21.01	20.96
5	1	0	16-QAM	22.26	22.20	22.26
5	1	12		22.03	21.95	21.98
5	1	24		21.74	21.74	21.77
5	12	0		21.44	21.45	21.53
5	12	6		21.19	21.16	21.24
5	12	11		20.96	20.94	21.03
5	25	0		20.75	20.69	20.83
10	1	0	QPSK	22.52	22.49	22.55
10	1	24		22.24	22.25	22.28
10	1	49		21.97	22.02	22.05
10	25	0		21.76	21.80	21.76
10	25	12		21.51	21.56	21.46
10	25	24		21.25	21.30	21.20
10	50	0		20.99	21.04	20.94
10	1	0	16-QAM	22.23	22.28	22.27
10	1	24		22.02	22.04	22.02
10	1	49		21.80	21.80	21.75
10	25	0		21.52	21.55	21.48
10	25	12		21.26	21.28	21.27
10	25	24		21.06	21.05	21.02
10	50	0		20.80	20.76	20.79

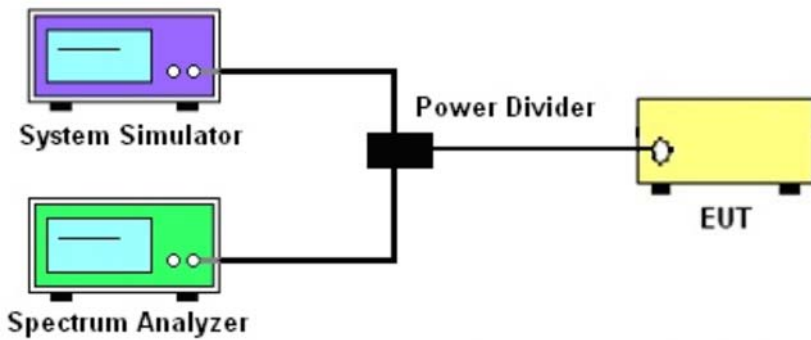
4. PEAK-TO-AVERAGE RATIO

4.1 DESCRIPTION OF THE CONDUCTED OUTPUT POWER MEASUREMENT

4.1.1 MEASUREMENT METHOD

Use one of the procedures presented in 4.1 to measure the total peak power and record as PPK. Use one of the applicable procedures presented 4.2 to measure the total average power and record as PAvg. Both the peak and average power levels must be expressed in the same logarithmic units (e.g., dBm). Determine the PAPR from:
 $PAPR (dB) = PPK (dBm) - PAvg (dBm)$.

4.1.2 TEST SETUP



4.1.3 TEST PROCEDURES

1. The testing follows FCC KDB 971168 D01 v03r01 Section 5.7.2 and ANSI C63.26 2015 Section 5.2.3.4.
2. The EUT was connected to spectrum and system simulator via a power divider
3. Select lowest, middle, and highest channels for each band and different modulation.
4. Set the test probe and measure the peak and average power of the spectrum analyzer
5. Record the deviation as Peak to Average Ratio.

	LTE					
LTE BW	1.4M	3M	5M	10M	15M	20M
Span	3MHz	6MHz	10MHz	20MHz	30MHz	40MHz
RBW	30kHz	30kHz	100kHz	100kHz	300kHz	300kHz
VBW	100kHz	100kHz	300kHz	300kHz	1000kHz	1000kHz
Detector	PK/AVG	PK/AVG	PK/AVG	PK/AVG	PK/AVG	PK/AVG
Trace	Max	Max	Max	Max	Max	Max
Sweep Count	Auto	Auto	Auto	Auto	Auto	Auto



4.1.4 TEST RESULTS

LTE Band 2 PAR [dBm]					
BW [MHz]	RB Size	Modulation	Lowest	Middle	Highest
			P-A	P-A	P-A
20	1	QPSK	4.75	4.05	4.46
20	100		5.49	5.61	5.56
20	1	16-QAM	5.05	4.51	5.47
20	100		6.43	6.3	6.25
Limit			≤13dB		

LTE Band 4 PAR [dBm]					
BW [MHz]	RB Size	Modulation	Lowest	Middle	Highest
			P-A	P-A	P-A
20	1	QPSK	3.66	3.96	3.63
20	100		5.23	5.03	5.11
20	1	16-QAM	4.65	4.6	4.19
20	100		5.93	5.93	5.8
Limit			≤13dB		

LTE Band 5 PAR [dBm]					
BW [MHz]	RB Size	Modulation	Lowest	Middle	Highest
			P-A	P-A	P-A
10	1	QPSK	5.16	4.75	5.15
10	50		5.83	5.39	5.73
10	1	16-QAM	5.8	5.44	5.49
10	50		6.49	6.3	6.47
Limit			≤13dB		

LTE Band 7 PAR [dBm]					
BW [MHz]	RB Size	Modulation	Lowest	Middle	Highest
			P-A	P-A	P-A
20	1	QPSK	3.82	3.8	3.44
20	100		5.26	5.13	5.06
20	1	16-QAM	5.17	4.61	3.93
20	100		5.95	5.94	5.87
Limit			≤13dB		

LTE Band 17 PAR [dBm]					
BW [MHz]	RB Size	Modulation	Lowest	Middle	Highest
			P-A	P-A	P-A
10	1	QPSK	5.04	5.06	3.84
10	50		5.85	5.77	5.83
10	1	16-QAM	5.35	5.33	5.53
10	50		6.33	6.52	6.58
Limit			≤13dB		

Note: Test chart See Appendix D

5. RADIATED POWER AND EFFECTIVE ISOTROPIC RADIATED POWER

5.1 DESCRIPTION OF THE ERP/EIRP MEASUREMENT

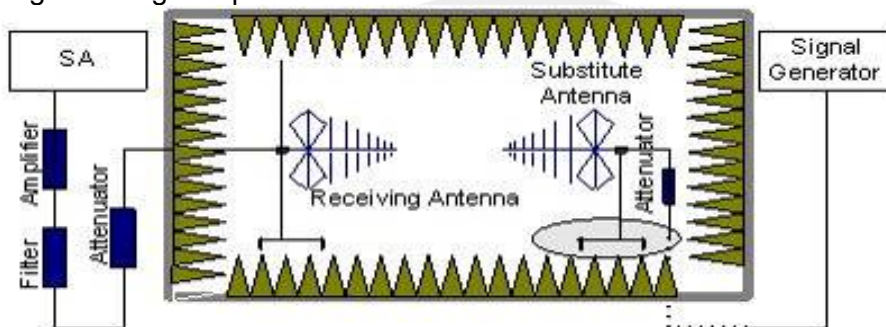
5.1.1 MEASUREMENT METHOD

Effective radiated power output measurements by substitution method according to ANSI C63.26 2015, and the spectrum analyzer configuration follows KDB 971168 D01 Power Meas. License Digital Systems. Mobile and portable (hand-held) stations operating are limited to average ERP, Equivalent isotropic radiated power output measurements by substitution method according to ANSI C63.26 2015, and the spectrum analyzer configuration follows KDB 971168 D01 Power Meas, Mobile and portable (hand-held) stations operating are limited to average EIRP.

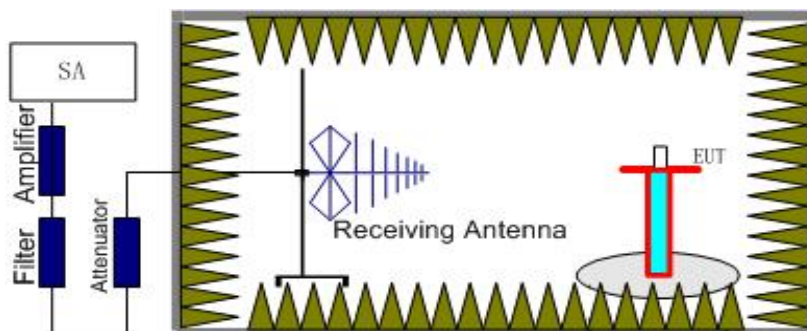
5.1.2 TEST SETUP

The procedure of radiated spurious emissions is as follows:

a) Pre-calibration With pre-calibration method, the Radiated Spurious Emissions(RSE) is calculated as, $RSE = R_x (dBuV) + CL (dB) + SA (dB) + Gain (dBi) - 107 (dBuV \text{ to } dBm)$ The SA is calibrated using following setup.



b) EUT was placed on a 1.5m non-conductive stand at a 3 m test distance from the receive antenna. A receiving antenna was placed on the antenna mast 3 m from the test item for emission measurements. The height of receiving antenna is 0.8m. The test setup refers to figure below. Detected emissions were maximized at each frequency by rotating the test item and adjusting the receiving antenna polarization. The radiated emission measurements of all non-harmonic and harmonics of the transmit frequency through the 10th harmonic measured with peak detector and 1MHz bandwidth.



Radiated emissions measurements were made only at the upper, middle, and lower carrier frequencies. It was decided that measurements at these three carrier frequencies would be sufficient to demonstrate compliance with emissions limits because it was seen that all the significant spurs occur well outside the band and no radiation was seen from a carrier in one block of any band into any of the other blocks.

The substitution method is used. Substitution values at each frequency are measured before and saved to the test software. A "reference path loss" is established and the ARpl is the attenuation of "reference path loss", and including the gain of receive antenna, the gain of the preamplifier, the cable loss and the air loss. The measurement results are obtained as described below:

Power = P_{Mea} + ARpl



5.1.3 TEST PROCEDURES

1. The testing follows FCC KDB 971168 D01v03r01 Section 5.6 and ANSI C63.26 2015 Section 5.2.
2. The EUT was placed on a non-conductive rotating platform 1.5 meters high in a semi-anechoic chamber. The radiated emission at the fundamental frequency was measured at 3 m with a test antenna and a spectrum analyzer with Peak detector.
3. During the measurement, the system simulator parameters were set to force the EUT transmitting at maximum output power. The maximum emission was recorded from analyzer power level (LVL) from the 360 degrees rotation of the turntable and the test antenna raised and lowered over a range from 1 to 4 m in both horizontally and vertically polarized orientations.
4. Effective Isotropic Radiated Power (EIRP) was measured by substitution method according to ANSI C63.26 2015. The EUT was replaced by dipole antenna (substitution antenna) at same location and then a known power from S.G. was applied into the dipole antenna through a Tx cable, and then recorded the maximum Analyzer reading through raised and lowered the test antenna. The correction factor (in dB) = S.G. - Tx Cable loss + Substitution antenna gain - Analyzer reading. Then the EUT's EIRP was calculated with the correction factor, $EIRP/ERP = LVL + \text{Correction factor}$
5. RB Set greater than bandwidth, VB Set spectrum analyzer Maximum support.





5.1.4 TEST RESULTS

Note: Test is divided into three directions, X/Y/Z. X pattern for the worst.

Radiated Power (EIRP) for LTE Band 2 / 1.4M									
Modulation	RB		Channel	Result					Conclusion
	Size	Offset		S G.Level (dBm)	Cable loss	Gain (dBi)	PMeas E.I. R.P(dBm)	Polarization Of Max. EIRP	
QPSK	1	0	Lowest	12.53	2.37	10.40	20.56	Horizontal	Pass
	1	0	Middle	12.42	2.39	10.42	20.45	Horizontal	Pass
	1	0	Highest	12.36	2.40	10.44	20.40	Horizontal	Pass
	1	0	Lowest	13.97	2.37	10.40	22.00	Vertical	Pass
	1	0	Middle	13.85	2.39	10.42	21.88	Vertical	Pass
	1	0	Highest	13.78	2.40	10.44	21.82	Vertical	Pass
16QAM	1	0	Lowest	12.2	2.37	10.40	20.23	Horizontal	Pass
	1	0	Middle	12.43	2.39	10.42	20.46	Horizontal	Pass
	1	0	Highest	12.18	2.40	10.44	20.22	Horizontal	Pass
	1	0	Lowest	13.69	2.37	10.40	21.72	Vertical	Pass
	1	0	Middle	13.78	2.39	10.42	21.81	Vertical	Pass
	1	0	Highest	13.66	2.40	10.44	21.70	Vertical	Pass
Limit	EIRP<2W=33dBm								

Radiated Power (EIRP) for LTE Band 2 / 3M									
Modulation	RB		Channel	Result					Conclusion
	Size	Offset		S G.Level (dBm)	Cable loss	Gain (dBi)	PMeas E.I. R.P(dBm)	Polarization Of Max. EIRP	
QPSK	1	0	Lowest	12.47	2.37	10.40	20.50	Horizontal	Pass
	1	0	Middle	12.49	2.39	10.42	20.52	Horizontal	Pass
	1	0	Highest	12.59	2.40	10.44	20.63	Horizontal	Pass
	1	0	Lowest	13.84	2.37	10.40	21.87	Vertical	Pass
	1	0	Middle	13.9	2.39	10.42	21.93	Vertical	Pass
	1	0	Highest	13.98	2.40	10.44	22.02	Vertical	Pass
16QAM	1	0	Lowest	12.18	2.37	10.40	20.21	Horizontal	Pass
	1	0	Middle	12.18	2.39	10.42	20.21	Horizontal	Pass
	1	0	Highest	12.43	2.40	10.44	20.47	Horizontal	Pass
	1	0	Lowest	13.54	2.37	10.40	21.57	Vertical	Pass
	1	0	Middle	13.62	2.39	10.42	21.65	Vertical	Pass
	1	0	Highest	13.74	2.40	10.44	21.78	Vertical	Pass
Limit	EIRP<2W=33dBm								



Radiated Power (EIRP) for LTE Band 2 / 5M									
Modulation	RB		Channel	Result					Conclusion
	Size	Offset		S G.Level (dBm)	Cable loss	Gain (dBi)	PMeas E.I. R.P(dBm)	Polarization Of Max. EIRP	
QPSK	1	0	Lowest	12.61	2.37	10.40	20.64	Horizontal	Pass
	1	0	Middle	12.62	2.39	10.42	20.65	Horizontal	Pass
	1	0	Highest	12.32	2.40	10.44	20.36	Horizontal	Pass
	1	0	Lowest	14.11	2.37	10.40	22.14	Vertical	Pass
	1	0	Middle	13.96	2.39	10.42	21.99	Vertical	Pass
	1	0	Highest	13.62	2.40	10.44	21.66	Vertical	Pass
16QAM	1	0	Lowest	12.47	2.37	10.40	20.50	Horizontal	Pass
	1	0	Middle	12.17	2.39	10.42	20.20	Horizontal	Pass
	1	0	Highest	12.1	2.40	10.44	20.14	Horizontal	Pass
	1	0	Lowest	13.8	2.37	10.40	21.83	Vertical	Pass
	1	0	Middle	13.6	2.39	10.42	21.63	Vertical	Pass
	1	0	Highest	13.52	2.40	10.44	21.56	Vertical	Pass
Limit	EIRP<2W=33dBm								

Radiated Power (EIRP) for LTE Band 2 / 10M									
Modulation	RB		Channel	Result					Conclusion
	Size	Offset		S G.Level (dBm)	Cable loss	Gain (dBi)	PMeas E.I. R.P(dBm)	Polarization Of Max. EIRP	
QPSK	1	0	Lowest	12.32	2.37	10.40	20.35	Horizontal	Pass
	1	0	Middle	12.3	2.39	10.42	20.33	Horizontal	Pass
	1	0	Highest	12.28	2.40	10.44	20.32	Horizontal	Pass
	1	0	Lowest	13.78	2.37	10.40	21.81	Vertical	Pass
	1	0	Middle	13.72	2.39	10.42	21.75	Vertical	Pass
	1	0	Highest	13.69	2.40	10.44	21.73	Vertical	Pass
16QAM	1	0	Lowest	11.96	2.37	10.40	19.99	Horizontal	Pass
	1	0	Middle	12.03	2.39	10.42	20.06	Horizontal	Pass
	1	0	Highest	12.09	2.40	10.44	20.13	Horizontal	Pass
	1	0	Lowest	13.36	2.37	10.40	21.39	Vertical	Pass
	1	0	Middle	13.51	2.39	10.42	21.54	Vertical	Pass
	1	0	Highest	13.44	2.40	10.44	21.48	Vertical	Pass
Limit	EIRP<2W=33dBm								



Radiated Power (EIRP) for LTE Band 2 / 15M									
Modulation	RB		Channel	Result					Conclusion
	Size	Offset		S G.Level (dBm)	Cable loss	Gain (dBi)	PMeas E.I. R.P(dBm)	Polarization Of Max. EIRP	
QPSK	1	0	Lowest	12.54	2.37	10.40	20.57	Horizontal	Pass
	1	0	Middle	12.62	2.39	10.42	20.65	Horizontal	Pass
	1	0	Highest	12.48	2.40	10.44	20.52	Horizontal	Pass
	1	0	Lowest	13.97	2.37	10.40	22.00	Vertical	Pass
	1	0	Middle	13.96	2.39	10.42	21.99	Vertical	Pass
	1	0	Highest	13.97	2.40	10.44	22.01	Vertical	Pass
16QAM	1	0	Lowest	12.27	2.37	10.40	20.30	Horizontal	Pass
	1	0	Middle	12.48	2.39	10.42	20.51	Horizontal	Pass
	1	0	Highest	12.3	2.40	10.44	20.34	Horizontal	Pass
	1	0	Lowest	13.66	2.37	10.40	21.69	Vertical	Pass
	1	0	Middle	13.78	2.39	10.42	21.81	Vertical	Pass
	1	0	Highest	13.61	2.40	10.44	21.65	Vertical	Pass
Limit	EIRP<2W=33dBm								

Radiated Power (EIRP) for LTE Band 2 / 20M									
Modulation	RB		Channel	Result					Conclusion
	Size	Offset		S G.Level (dBm)	Cable loss	Gain (dBi)	PMeas E.I. R.P(dBm)	Polarization Of Max. EIRP	
QPSK	1	0	Lowest	12.6	2.37	10.40	20.63	Horizontal	Pass
	1	0	Middle	12.65	2.39	10.42	20.68	Horizontal	Pass
	1	0	Highest	12.6	2.40	10.44	20.64	Horizontal	Pass
	1	0	Lowest	14.02	2.37	10.40	22.05	Vertical	Pass
	1	0	Middle	14.06	2.39	10.42	22.09	Vertical	Pass
	1	0	Highest	14.06	2.40	10.44	22.10	Vertical	Pass
16QAM	1	0	Lowest	12.56	2.37	10.40	20.59	Horizontal	Pass
	1	0	Middle	12.36	2.39	10.42	20.39	Horizontal	Pass
	1	0	Highest	12.43	2.40	10.44	20.47	Horizontal	Pass
	1	0	Lowest	13.9	2.37	10.40	21.93	Vertical	Pass
	1	0	Middle	13.79	2.39	10.42	21.82	Vertical	Pass
	1	0	Highest	13.86	2.40	10.44	21.90	Vertical	Pass
Limit	EIRP<2W=33dBm								



Radiated Power (EIRP) for LTE Band 4 / 1.4M									
Modulation	RB		Channel	Result					Conclusion
	Size	Offset		S G.Level (dBm)	Cable loss	Gain (dBi)	PMeas E.I.R.P.(dBm)	Polarization Of Max. EIRP	
QPSK	1	0	Lowest	12.16	2.35	10.13	19.94	Horizontal	Pass
	1	0	Middle	11.99	2.36	10.16	19.79	Horizontal	Pass
	1	0	Highest	12.06	2.37	10.22	19.91	Horizontal	Pass
	1	0	Lowest	13.57	2.35	10.13	21.35	Vertical	Pass
	1	0	Middle	13.37	2.36	10.16	21.17	Vertical	Pass
	1	0	Highest	13.37	2.37	10.22	21.22	Vertical	Pass
16QAM	1	0	Lowest	12	2.35	10.13	19.78	Horizontal	Pass
	1	0	Middle	11.81	2.36	10.16	19.61	Horizontal	Pass
	1	0	Highest	11.83	2.37	10.22	19.68	Horizontal	Pass
	1	0	Lowest	13.38	2.35	10.13	21.16	Vertical	Pass
	1	0	Middle	13.22	2.36	10.16	21.02	Vertical	Pass
	1	0	Highest	13.13	2.37	10.22	20.98	Vertical	Pass
Limit	EIRP<1W=30dBm								

Radiated Power (EIRP) for LTE Band 4 / 3M									
Modulation	RB		Channel	Result					Conclusion
	Size	Offset		S G.Level (dBm)	Cable loss	Gain (dBi)	PMeas E.I.R.P.(dBm)	Polarization Of Max. EIRP	
QPSK	1	0	Lowest	12.17	2.35	10.13	19.95	Horizontal	Pass
	1	0	Middle	12.15	2.36	10.16	19.95	Horizontal	Pass
	1	0	Highest	12.05	2.37	10.22	19.90	Horizontal	Pass
	1	0	Lowest	13.47	2.35	10.13	21.25	Vertical	Pass
	1	0	Middle	13.46	2.36	10.16	21.26	Vertical	Pass
	1	0	Highest	13.47	2.37	10.22	21.32	Vertical	Pass
16QAM	1	0	Lowest	11.85	2.35	10.13	19.63	Horizontal	Pass
	1	0	Middle	11.82	2.36	10.16	19.62	Horizontal	Pass
	1	0	Highest	11.62	2.37	10.22	19.47	Horizontal	Pass
	1	0	Lowest	13.35	2.35	10.13	21.13	Vertical	Pass
	1	0	Middle	13.13	2.36	10.16	20.93	Vertical	Pass
	1	0	Highest	13.1	2.37	10.22	20.95	Vertical	Pass
Limit	EIRP<1W=30dBm								



Radiated Power (EIRP) for LTE Band 4 / 5M									
Modulation	RB		Channel	Result					Conclusion
	Size	Offset		S G.Level (dBm)	Cable loss	Gain (dBi)	PMeas E.I.R.P.(dBm)	Polarization Of Max. EIRP	
QPSK	1	0	Lowest	12.28	2.35	10.13	20.06	Horizontal	Pass
	1	0	Middle	11.99	2.36	10.16	19.79	Horizontal	Pass
	1	0	Highest	11.99	2.37	10.22	19.84	Horizontal	Pass
	1	0	Lowest	13.74	2.35	10.13	21.52	Vertical	Pass
	1	0	Middle	13.36	2.36	10.16	21.16	Vertical	Pass
	1	0	Highest	13.42	2.37	10.22	21.27	Vertical	Pass
16QAM	1	0	Lowest	12.05	2.35	10.13	19.83	Horizontal	Pass
	1	0	Middle	11.71	2.36	10.16	19.51	Horizontal	Pass
	1	0	Highest	11.73	2.37	10.22	19.58	Horizontal	Pass
	1	0	Lowest	13.48	2.35	10.13	21.26	Vertical	Pass
	1	0	Middle	13.11	2.36	10.16	20.91	Vertical	Pass
1	0	Highest	13.2	2.37	10.22	21.05	Vertical	Pass	
Limit	EIRP<1W=30dBm								

Radiated Power (EIRP) for LTE Band 4 / 10M									
Modulation	RB		Channel	Result					Conclusion
	Size	Offset		S G.Level (dBm)	Cable loss	Gain (dBi)	PMeas E.I.R.P.(dBm)	Polarization Of Max. EIRP	
QPSK	1	0	Lowest	11.94	2.35	10.13	19.72	Horizontal	Pass
	1	0	Middle	11.98	2.36	10.16	19.78	Horizontal	Pass
	1	0	Highest	11.97	2.37	10.22	19.82	Horizontal	Pass
	1	0	Lowest	13.28	2.35	10.13	21.06	Vertical	Pass
	1	0	Middle	13.32	2.36	10.16	21.12	Vertical	Pass
	1	0	Highest	13.3	2.37	10.22	21.15	Vertical	Pass
16QAM	1	0	Lowest	11.58	2.35	10.13	19.36	Horizontal	Pass
	1	0	Middle	11.51	2.36	10.16	19.31	Horizontal	Pass
	1	0	Highest	11.53	2.37	10.22	19.38	Horizontal	Pass
	1	0	Lowest	12.93	2.35	10.13	20.71	Vertical	Pass
	1	0	Middle	12.92	2.36	10.16	20.72	Vertical	Pass
1	0	Highest	13.01	2.37	10.22	20.86	Vertical	Pass	
Limit	EIRP<1W=30dBm								



Radiated Power (EIRP) for LTE Band 4 / 15M									
Modulation	RB		Channel	Result					Conclusion
	Size	Offset		S G.Level (dBm)	Cable loss	Gain (dBi)	PMeas E.I.R.P.(dBm)	Polarization Of Max. EIRP	
QPSK	1	0	Lowest	12.04	2.35	10.13	19.82	Horizontal	Pass
	1	0	Middle	11.89	2.36	10.16	19.69	Horizontal	Pass
	1	0	Highest	11.93	2.37	10.22	19.78	Horizontal	Pass
	1	0	Lowest	13.45	2.35	10.13	21.23	Vertical	Pass
	1	0	Middle	13.22	2.36	10.16	21.02	Vertical	Pass
	1	0	Highest	13.28	2.37	10.22	21.13	Vertical	Pass
16QAM	1	0	Lowest	11.78	2.35	10.13	19.56	Horizontal	Pass
	1	0	Middle	11.58	2.36	10.16	19.38	Horizontal	Pass
	1	0	Highest	11.61	2.37	10.22	19.46	Horizontal	Pass
	1	0	Lowest	13.12	2.35	10.13	20.90	Vertical	Pass
	1	0	Middle	12.96	2.36	10.16	20.76	Vertical	Pass
	1	0	Highest	13.03	2.37	10.22	20.88	Vertical	Pass
Limit	EIRP<1W=30dBm								

Radiated Power (EIRP) for LTE Band 4 / 20M									
Modulation	RB		Channel	Result					Conclusion
	Size	Offset		S G.Level (dBm)	Cable loss	Gain (dBi)	PMeas E.I.R.P.(dBm)	Polarization Of Max. EIRP	
QPSK	1	0	Lowest	12.3	2.35	10.13	20.08	Horizontal	Pass
	1	0	Middle	12.15	2.36	10.16	19.95	Horizontal	Pass
	1	0	Highest	12.16	2.37	10.22	20.01	Horizontal	Pass
	1	0	Lowest	13.71	2.35	10.13	21.49	Vertical	Pass
	1	0	Middle	13.51	2.36	10.16	21.31	Vertical	Pass
	1	0	Highest	13.46	2.37	10.22	21.31	Vertical	Pass
16QAM	1	0	Lowest	12.05	2.35	10.13	19.83	Horizontal	Pass
	1	0	Middle	11.92	2.36	10.16	19.72	Horizontal	Pass
	1	0	Highest	11.84	2.37	10.22	19.69	Horizontal	Pass
	1	0	Lowest	13.54	2.35	10.13	21.32	Vertical	Pass
	1	0	Middle	13.25	2.36	10.16	21.05	Vertical	Pass
	1	0	Highest	13.27	2.37	10.22	21.12	Vertical	Pass
Limit	EIRP<1W=30dBm								



Radiated Power (ERP) for LTE Band 5 / 1.4M										
Modulation	RB		Channel	Result						Conclusion
				S G.Level (dBm)	Cable loss	Gain (dBi)	correction factor(dB)	PMeas E.R.P(dBm)	Polarization	
	Size	Offset		Of Max. ERP						
QPSK	1	0	Lowest	16.47	1.27	6.70	2.15	19.75	Horizontal	Pass
	1	0	Middle	16.39	1.28	6.70	2.15	19.66	Horizontal	Pass
	1	0	Highest	16.34	1.29	6.70	2.15	19.60	Horizontal	Pass
	1	0	Lowest	17.77	1.27	6.70	2.15	21.05	Vertical	Pass
	1	0	Middle	17.88	1.28	6.70	2.15	21.15	Vertical	Pass
	1	0	Highest	17.79	1.29	6.70	2.15	21.05	Vertical	Pass
16QAM	1	0	Lowest	16.02	1.27	6.70	2.15	19.30	Horizontal	Pass
	1	0	Middle	16.17	1.28	6.70	2.15	19.44	Horizontal	Pass
	1	0	Highest	16.23	1.29	6.70	2.15	19.49	Horizontal	Pass
	1	0	Lowest	17.43	1.27	6.70	2.15	20.71	Vertical	Pass
	1	0	Middle	17.61	1.28	6.70	2.15	20.88	Vertical	Pass
	1	0	Highest	17.62	1.29	6.70	2.15	20.88	Vertical	Pass
Limit	EIRP<7W=38.45dBm									

Radiated Power (ERP) for LTE Band 5 / 3M										
Modulation	RB		Channel	Result						Conclusion
				S G.Level (dBm)	Cable loss	Gain (dBi)	correction factor(dB)	PMeas E.R.P(dBm)	Polarization	
	Size	Offset		Of Max. ERP						
QPSK	1	0	Lowest	16.41	1.27	6.70	2.15	19.69	Horizontal	Pass
	1	0	Middle	16.39	1.28	6.70	2.15	19.66	Horizontal	Pass
	1	0	Highest	16.52	1.29	6.70	2.15	19.78	Horizontal	Pass
	1	0	Lowest	17.81	1.27	6.70	2.15	21.09	Vertical	Pass
	1	0	Middle	17.7	1.28	6.70	2.15	20.97	Vertical	Pass
	1	0	Highest	18.02	1.29	6.70	2.15	21.28	Vertical	Pass
16QAM	1	0	Lowest	16.18	1.27	6.70	2.15	19.46	Horizontal	Pass
	1	0	Middle	16.21	1.28	6.70	2.15	19.48	Horizontal	Pass
	1	0	Highest	16.33	1.29	6.70	2.15	19.59	Horizontal	Pass
	1	0	Lowest	17.68	1.27	6.70	2.15	20.96	Vertical	Pass
	1	0	Middle	17.55	1.28	6.70	2.15	20.82	Vertical	Pass
	1	0	Highest	17.79	1.29	6.70	2.15	21.05	Vertical	Pass
Limit	EIRP<7W=38.45dBm									



Radiated Power (ERP) for LTE Band 5 / 5M										
Modulation	RB		Channel	Result						Conclusion
	Size	Offset		S G.Level (dBm)	Cable loss	Gain (dBi)	correction factor(dB)	PMeas E.R.P(dBm)	Polarization	
									Of Max. ERP	
QPSK	1	0	Lowest	16.23	1.27	6.70	2.15	19.51	Horizontal	Pass
	1	0	Middle	16.58	1.28	6.70	2.15	19.85	Horizontal	Pass
	1	0	Highest	16.32	1.29	6.70	2.15	19.58	Horizontal	Pass
	1	0	Lowest	17.64	1.27	6.70	2.15	20.92	Vertical	Pass
	1	0	Middle	17.89	1.28	6.70	2.15	21.16	Vertical	Pass
	1	0	Highest	17.75	1.29	6.70	2.15	21.01	Vertical	Pass
16QAM	1	0	Lowest	16.18	1.27	6.70	2.15	19.46	Horizontal	Pass
	1	0	Middle	16.11	1.28	6.70	2.15	19.38	Horizontal	Pass
	1	0	Highest	16.08	1.29	6.70	2.15	19.34	Horizontal	Pass
	1	0	Lowest	17.49	1.27	6.70	2.15	20.77	Vertical	Pass
	1	0	Middle	17.58	1.28	6.70	2.15	20.85	Vertical	Pass
	1	0	Highest	17.45	1.29	6.70	2.15	20.71	Vertical	Pass
Limit	EIRP<7W=38.45dBm									

Radiated Power (ERP) for LTE Band 5 / 10M										
Modulation	RB		Channel	Result						Conclusion
	Size	Offset		S G.Level (dBm)	Cable loss	Gain (dBi)	correction factor(dB)	PMeas E.R.P(dBm)	Polarization	
									Of Max. ERP	
QPSK	1	0	Lowest	16.46	1.27	6.70	2.15	19.74	Horizontal	Pass
	1	0	Middle	16.59	1.28	6.70	2.15	19.86	Horizontal	Pass
	1	0	Highest	16.6	1.29	6.70	2.15	19.86	Horizontal	Pass
	1	0	Lowest	17.94	1.27	6.70	2.15	21.22	Vertical	Pass
	1	0	Middle	17.97	1.28	6.70	2.15	21.24	Vertical	Pass
	1	0	Highest	17.91	1.29	6.70	2.15	21.17	Vertical	Pass
16QAM	1	0	Lowest	16.1	1.27	6.70	2.15	19.38	Horizontal	Pass
	1	0	Middle	16.24	1.28	6.70	2.15	19.51	Horizontal	Pass
	1	0	Highest	16.23	1.29	6.70	2.15	19.49	Horizontal	Pass
	1	0	Lowest	17.5	1.27	6.70	2.15	20.78	Vertical	Pass
	1	0	Middle	17.66	1.28	6.70	2.15	20.93	Vertical	Pass
	1	0	Highest	17.63	1.29	6.70	2.15	20.89	Vertical	Pass
Limit	EIRP<7W=38.45dBm									



Radiated Power (EIRP) for LTE Band 7 / 5M									
Modulation	RB		Channel	Result					Conclusion
	Size	Offset		S G.Level (dBm)	Cable loss	Gain (dBi)	PMeas E.I.R.P.(dBm)	Polarization Of Max. EIRP	
QPSK	1	0	Lowest	10.75	2.56	10.60	18.79	Horizontal	Pass
	1	0	Middle	10.69	2.67	10.65	18.67	Horizontal	Pass
	1	0	Highest	10.79	2.72	10.70	18.77	Horizontal	Pass
	1	0	Lowest	12.07	2.56	10.60	20.11	Vertical	Pass
	1	0	Middle	12.15	2.67	10.65	20.13	Vertical	Pass
	1	0	Highest	12.14	2.72	10.70	20.12	Vertical	Pass
16QAM	1	0	Lowest	10.48	2.56	10.60	18.52	Horizontal	Pass
	1	0	Middle	10.64	2.67	10.65	18.62	Horizontal	Pass
	1	0	Highest	10.5	2.72	10.70	18.48	Horizontal	Pass
	1	0	Lowest	11.9	2.56	10.60	19.94	Vertical	Pass
	1	0	Middle	12.01	2.67	10.65	19.99	Vertical	Pass
	1	0	Highest	11.82	2.72	10.70	19.80	Vertical	Pass
Limit	EIRP<7W=38.45dBm								

Radiated Power (EIRP) for LTE Band 7 / 10M									
Modulation	RB		Channel	Result					Conclusion
	Size	Offset		S G.Level (dBm)	Cable loss	Gain (dBi)	PMeas E.I.R.P.(dBm)	Polarization Of Max. EIRP	
QPSK	1	0	Lowest	10.64	2.56	10.60	18.68	Horizontal	Pass
	1	0	Middle	10.98	2.67	10.65	18.96	Horizontal	Pass
	1	0	Highest	10.99	2.72	10.70	18.97	Horizontal	Pass
	1	0	Lowest	12.1	2.56	10.60	20.14	Vertical	Pass
	1	0	Middle	12.31	2.67	10.65	20.29	Vertical	Pass
	1	0	Highest	12.36	2.72	10.70	20.34	Vertical	Pass
16QAM	1	0	Lowest	10.59	2.56	10.60	18.63	Horizontal	Pass
	1	0	Middle	10.76	2.67	10.65	18.74	Horizontal	Pass
	1	0	Highest	10.59	2.72	10.70	18.57	Horizontal	Pass
	1	0	Lowest	11.98	2.56	10.60	20.02	Vertical	Pass
	1	0	Middle	12.08	2.67	10.65	20.06	Vertical	Pass
	1	0	Highest	12.03	2.72	10.70	20.01	Vertical	Pass
Limit	EIRP<2W=33dBm								



Radiated Power (EIRP) for LTE Band 7 / 15M									
Modulation	RB		Channel	Result					Conclusion
	Size	Offset		S G.Level (dBm)	Cable loss	Gain (dBi)	PMeas E.I.R.P.(dBm)	Polarization Of Max. EIRP	
QPSK	1	0	Lowest	10.97	2.56	10.60	19.01	Horizontal	Pass
	1	0	Middle	10.81	2.67	10.65	18.79	Horizontal	Pass
	1	0	Highest	10.7	2.72	10.70	18.68	Horizontal	Pass
	1	0	Lowest	12.31	2.56	10.60	20.35	Vertical	Pass
	1	0	Middle	12.16	2.67	10.65	20.14	Vertical	Pass
	1	0	Highest	12.13	2.72	10.70	20.11	Vertical	Pass
16QAM	1	0	Lowest	10.64	2.56	10.60	18.68	Horizontal	Pass
	1	0	Middle	10.51	2.67	10.65	18.49	Horizontal	Pass
	1	0	Highest	10.41	2.72	10.70	18.39	Horizontal	Pass
	1	0	Lowest	11.98	2.56	10.60	20.02	Vertical	Pass
	1	0	Middle	12	2.67	10.65	19.98	Vertical	Pass
	1	0	Highest	11.74	2.72	10.70	19.72	Vertical	Pass
Limit	EIRP<2W=33dBm								

Radiated Power (EIRP) for LTE Band 7 / 20M									
Modulation	RB		Channel	Result					Conclusion
	Size	Offset		S G.Level (dBm)	Cable loss	Gain (dBi)	PMeas E.I.R.P.(dBm)	Polarization Of Max. EIRP	
QPSK	1	0	Lowest	10.91	2.56	10.60	18.95	Horizontal	Pass
	1	0	Middle	10.97	2.67	10.65	18.95	Horizontal	Pass
	1	0	Highest	10.74	2.72	10.70	18.72	Horizontal	Pass
	1	0	Lowest	12.38	2.56	10.60	20.42	Vertical	Pass
	1	0	Middle	12.34	2.67	10.65	20.32	Vertical	Pass
	1	0	Highest	12.15	2.72	10.70	20.13	Vertical	Pass
16QAM	1	0	Lowest	10.61	2.56	10.60	18.65	Horizontal	Pass
	1	0	Middle	10.58	2.67	10.65	18.56	Horizontal	Pass
	1	0	Highest	10.67	2.72	10.70	18.65	Horizontal	Pass
	1	0	Lowest	11.96	2.56	10.60	20.00	Vertical	Pass
	1	0	Middle	12.01	2.67	10.65	19.99	Vertical	Pass
	1	0	Highest	12.1	2.72	10.70	20.08	Vertical	Pass
Limit	EIRP<2W=33dBm								



Radiated Power (ERP) for LTE Band 17 / 5M										
Modulation	RB		Channel	Result						Conclusion
				S G.Level (dBm)	Cable loss	Gain (dBi)	correction factor(dB)	PMeas E.R.P(dBm)	Polarization	
	Size	Offset		Of Max. ERP						
QPSK	1	0	Lowest	16.73	1.21	6.40	2.15	19.77	Horizontal	Pass
	1	0	Middle	16.81	1.22	6.40	2.15	19.84	Horizontal	Pass
	1	0	Highest	16.81	1.23	6.40	2.15	19.83	Horizontal	Pass
	1	0	Lowest	18.08	1.21	6.40	2.15	21.12	Vertical	Pass
	1	0	Middle	18.19	1.22	6.40	2.15	21.22	Vertical	Pass
	1	0	Highest	18.14	1.23	6.40	2.15	21.16	Vertical	Pass
16QAM	1	0	Lowest	16.61	1.21	6.40	2.15	19.65	Horizontal	Pass
	1	0	Middle	16.56	1.22	6.40	2.15	19.59	Horizontal	Pass
	1	0	Highest	16.63	1.23	6.40	2.15	19.65	Horizontal	Pass
	1	0	Lowest	17.95	1.21	6.40	2.15	20.99	Vertical	Pass
	1	0	Middle	17.93	1.22	6.40	2.15	20.96	Vertical	Pass
	1	0	Highest	17.93	1.23	6.40	2.15	20.95	Vertical	Pass
Limit	ERP<3W=34.77dBm									

Radiated Power (ERP) for LTE Band 17 / 10M										
Modulation	RB		Channel	Result						Conclusion
				S G.Level (dBm)	Cable loss	Gain (dBi)	correction factor(dB)	PMeas E.R.P(dBm)	Polarization	
	Size	Offset		Of Max. ERP						
QPSK	1	0	Lowest	16.75	1.21	6.40	2.15	19.79	Horizontal	Pass
	1	0	Middle	16.86	1.22	6.40	2.15	19.89	Horizontal	Pass
	1	0	Highest	16.85	1.23	6.40	2.15	19.87	Horizontal	Pass
	1	0	Lowest	18.21	1.21	6.40	2.15	21.25	Vertical	Pass
	1	0	Middle	18.21	1.22	6.40	2.15	21.24	Vertical	Pass
	1	0	Highest	18.25	1.23	6.40	2.15	21.27	Vertical	Pass
16QAM	1	0	Lowest	16.53	1.21	6.40	2.15	19.57	Horizontal	Pass
	1	0	Middle	16.64	1.22	6.40	2.15	19.67	Horizontal	Pass
	1	0	Highest	16.4	1.23	6.40	2.15	19.42	Horizontal	Pass
	1	0	Lowest	17.88	1.21	6.40	2.15	20.92	Vertical	Pass
	1	0	Middle	17.95	1.22	6.40	2.15	20.98	Vertical	Pass
	1	0	Highest	17.88	1.23	6.40	2.15	20.90	Vertical	Pass
Limit	ERP<3W=34.77dBm									

6. OCCUPIED BANDWIDTH

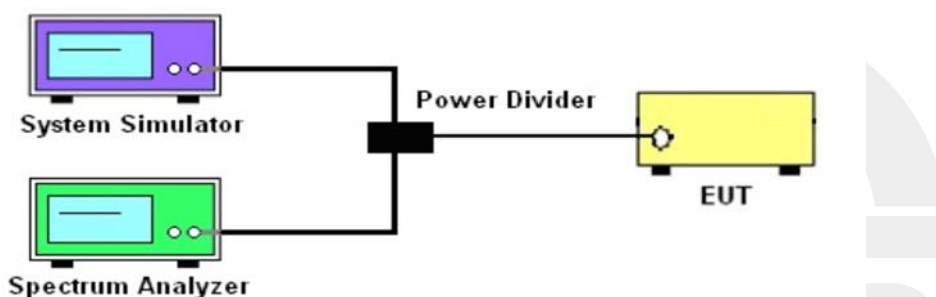
6.1 DESCRIPTION OF OCCUPIED BANDWIDTH MEASUREMENT

6.1.1 MEASUREMENT METHOD

1.The occupied bandwidth is the width of a frequency band such that, below the lower and above the upper frequency limits, the mean powers emitted are each equal to a specified percentage 0.5% of the total mean transmitted power.

2.The 26 db emission bandwidth is defined as the frequency range between two points, one above and one below the carrier frequency, at which the spectral density of the emission is attenuated 26 db below the maximum in-band spectral density of the modulated signal. spectral density (power per unit bandwidth) is to be measured with a detector of resolution bandwidth equal to approximately 1.0% of the emission bandwidth.

6.1.2 TEST SETUP



6.1.3 TEST PROCEDURES

1. The testing follows FCC KDB 971168 D01 v03r01 Section 4.1.and 4.2.
2. The EUT was connected to spectrum and system simulator via a power divider.
3. Select lowest, middle, and highest channels for each band and different modulation.
4. Set the test probe and measure the Occupied Bandwidth of the spectrum analyzer.
5. Measure and record the Occupied Bandwidth from the Spectrum Analyzer.

	LTE					
LTE BW	1.4M	3M	5M	10M	15M	20M
Span	3MHz	6MHz	10MHz	20MHz	30MHz	40MHz
RBW	30kHz	30kHz	100kHz	100kHz	300kHz	300kHz
VBW	100kHz	100kHz	300kHz	300kHz	1000kHz	1000kHz
Detector	PK	PK	PK	PK	PK	PK
Trace	Max	Max	Max	Max	Max	Max
Sweep Count	Auto	Auto	Auto	Auto	Auto	Auto



6.1.4 MEASUREMENT RESULT

LTE Band 2 Bandwidth [MHz]							
BW [MHz]	Mode	Lowest		Middle		Highest	
		99% BW	26dB BW	99% BW	26dB BW	99% BW	26dB BW
1.4	QPSK	1.0972	1.272	1.1	1.262	1.0949	1.269
1.4	16-QAM	1.1	1.277	1.092	1.255	1.096	1.273
3	QPSK	2.681	2.903	2.685	2.908	2.6816	2.91
3	16-QAM	2.678	2.907	2.679	2.921	2.68	2.908
5	QPSK	4.538	5.084	4.519	5.091	4.513	5.058
5	16-QAM	4.534	5.089	4.518	5.054	4.539	5.06
10	QPSK	8.936	9.678	8.933	9.688	8.943	9.8
10	16-QAM	8.941	9.635	8.938	9.646	8.934	9.689
15	QPSK	13.457	14.78	13.49	14.86	13.491	14.85
15	16-QAM	13.497	14.78	13.497	14.78	13.485	14.77
20	QPSK	17.9	19.31	17.932	19.41	17.909	19.24
20	16-QAM	17.941	19.43	17.928	19.48	17.894	19.34
LTE Band 4 Bandwidth [MHz]							
BW [MHz]	Mode	Lowest		Middle		Highest	
		99% BW	26dB BW	99% BW	26dB BW	99% BW	26dB BW
1.4	QPSK	1.0964	1.276	1.1028	1.266	1.096	1.269
1.4	16-QAM	1.094	1.268	1.1	1.28	1.0966	1.264
3	QPSK	2.688	2.902	2.6831	2.917	2.6812	2.905
3	16-QAM	2.68	2.915	2.681	2.911	2.679	2.901
5	QPSK	4.5103	5.074	4.537	5.06	4.522	5.099
5	16-QAM	4.542	5.075	4.538	5.089	4.522	5.067
10	QPSK	8.928	9.687	8.94	9.722	8.911	9.764
10	16-QAM	8.932	9.607	8.937	9.682	8.939	9.695
15	QPSK	13.441	14.78	13.478	14.9	13.503	14.87
15	16-QAM	13.483	14.81	13.488	14.81	13.497	14.88
20	QPSK	17.873	19.29	17.93	19.6	17.924	19.33
20	16-QAM	17.943	19.48	17.928	19.49	17.905	19.35
LTE Band 5 Bandwidth [MHz]							
BW [MHz]	Mode	Lowest		Middle		Highest	
		99% BW	26dB BW	99% BW	26dB BW	99% BW	26dB BW
1.4	QPSK	1.097	1.277	1.109	1.26	1.094	1.26
1.4	16-QAM	1.1	1.277	1.094	1.253	1.094	1.269
3	QPSK	2.683	2.897	2.689	2.904	2.681	2.903
3	16-QAM	2.6778	2.914	2.68	2.919	2.6797	2.899
5	QPSK	4.523	5.068	4.506	5.051	4.535	5.063
5	16-QAM	4.516	5.055	4.539	5.042	4.54	5.067
10	QPSK	8.941	9.617	8.92	9.652	8.97	9.841
10	16-QAM	8.951	9.587	8.924	9.618	8.964	9.801



LTE Band 7 Bandwidth [MHz]							
BW [MHz]	Mode	Lowest		Middle		Highest	
		99% BW	26dB BW	99% BW	26dB BW	99% BW	26dB BW
5	QPSK	4.52	5.074	4.511	5.073	4.534	5.067
5	16-QAM	4.519	5.051	4.536	5.069	4.539	5.082
10	QPSK	8.951	9.761	8.929	9.621	8.931	9.665
10	16-QAM	8.94	9.668	8.94	9.745	8.931	9.617
15	QPSK	13.457	14.84	13.462	14.9	13.484	14.89
15	16-QAM	13.501	14.84	13.484	14.77	13.47	14.8
20	QPSK	17.907	19.3	17.924	19.49	17.923	19.33
20	16-QAM	17.964	19.47	17.902	19.42	17.906	19.33

LTE Band 17 Bandwidth [MHz]							
BW [MHz]	Mode	Lowest		Middle		Highest	
		99% BW	26dB BW	99% BW	26dB BW	99% BW	26dB BW
5	QPSK	4.52	5.053	4.514	5.045	4.5259	5.074
5	16-QAM	4.533	5.039	4.54	5.103	4.511	4.05
10	QPSK	8.944	9.68	8.96	9.765	8.969	9.801
10	16-QAM	8.954	9.651	8.958	9.748	8.955	9.777

Note: Test chart See Appendix A





7. CONDUCTED BAND EDGE

7.1 DESCRIPTION OF CONDUCTED BAND EDGE MEASUREMENT

7.1.1 MEASUREMENT METHOD

1. RSS – 132

For operations in the 824 – 849 MHz band, the IC limit is $43 + 10\log_{10}(P[\text{Watts}])$ dB below the transmitter power $P(\text{Watts})$ in a 100kHz bandwidth. However, in the 1MHz bands immediately outside and adjacent to the licensee's frequency block, a resolution bandwidth of at least one percent of the emission bandwidth of the fundamental emission of the transmitter may be employed.

2. RSS – 133

For operations in the 1850-1910 and 1930-1990 MHz band, the IC limit is $43 + 10\log_{10}(P[\text{Watts}])$ dB below the transmitter power $P(\text{Watts})$ in a 1MHz bandwidth. However, in the 1 MHz bands immediately outside and adjacent to the frequency block a resolution bandwidth of at least one percent of the emission bandwidth of the fundamental emission of the transmitter may be employed

3. RSS – 139

For operations in the 1710 – 1755 MHz band, the IC limit is $43 + 10\log_{10}(P[\text{Watts}])$ dB below the transmitter power $P(\text{Watts})$ in a 1 MHz bandwidth. However, in the 1MHz bands immediately outside and adjacent to the licensee's frequency block, a resolution bandwidth of at least one percent of the emission bandwidth of the fundamental emission of the transmitter may be employed.

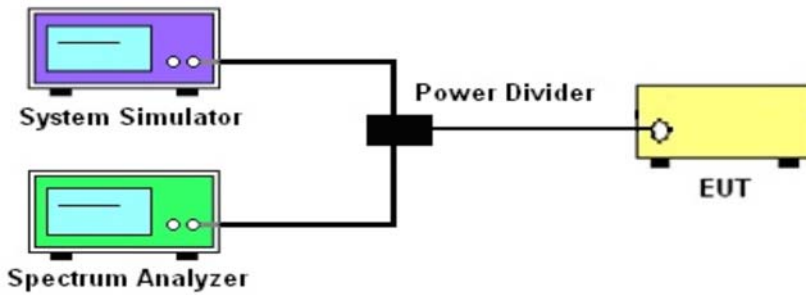
4. RSS – 199

For operations in the 2502.7 MHz ~ 2567.3 MHz band this section, the attenuation factor shall be not less than $40 + 10 \log (P)$ dB on all frequencies between the channel edge and 5 megahertz from the channel edge, $43 + 10 \log (P)$ dB on all frequencies between 5 megahertz and X megahertz from the channel edge, and $55 + 10 \log (P)$ dB on all frequencies more than X megahertz from the channel edge, where X is the greater of 6 megahertz or the actual emission bandwidth as defined in paragraph (m)(6) of this section. In addition, the attenuation factor shall not be less that $43 + 10 \log (P)$ dB on all frequencies between 2490.5 MHz and 2496 MHz and $55 + 10 \log (P)$ dB at or below 2490.5 MHz. Mobile Satellite Service licensees operating on frequencies below 2495 MHz may also submit a documented interference complaint against BRS licensees operating on channel BRS Channel 1 on the same terms and conditions as adjacent channel BRS or EBS licensees.

5. RSS – 130

For operations in the 698 -746 MHz band, the IC limit is $43 + 10\log_{10}(P[\text{Watts}])$ dB below the transmitter power $P(\text{Watts})$ in a 100 kHz bandwidth. However, in the 100 kilohertz bands immediately outside and adjacent to a licensee's frequency block, a resolution bandwidth of at least 30 kHz may be employed.

7.1.2 TEST SETUP



7.1.3 TEST PROCEDURES

1. The testing FCC KDB 971168 D01 v03r01 Section 6.0. and ANSI C63.26 2015 Section 5.7.
 2. The EUT was connected to spectrum analyzer and system simulator via a power divider.
 3. The band edges of low and high channels for the highest RF powers were measured. Set RBW $\geq 1\%$ EBW in the 1MHz band immediately outside and adjacent to the band edge.
 4. Set spectrum analyzer with RMS/AVG detector.
 5. The RF fundamental frequency should be excluded against the limit line in the operating frequency band.
 6. The limit line is derived from $43 + 10\log(P)$ dB below the transmitter power P(Watts)

$$= P(W) - [43 + 10\log(P)] \text{ (dB)}$$

$$= [30 + 10\log(P)] \text{ (dBm)} - [43 + 10\log(P)] \text{ (dB)}$$

$$= -13\text{dBm}.$$
- Band 7:
- $$= P(W) - [55 + 10\log(P)] \text{ (dB)}$$
- $$= [30 + 10\log(P)] \text{ (dBm)} - [55 + 10\log(P)] \text{ (dB)}$$
- $$= -25\text{dBm}.$$

	LTE					
LTE BW	1.4M	3M	5M	10M	15M	20M
Span	12MHz	13MHz	15MHz	20MHz	25MHz	30MHz
RBW	30kHz	30kHz	100kHz	100kHz	300kHz	300kHz
VBW	100kHz	100kHz	300kHz	300kHz	1000kHz	1000kHz
Detector	RMS	RMS	RMS	RMS	RMS	RMS
Trace	Max	Max	Max	Max	Max	Max
Sweep Count	Auto	Auto	Auto	Auto	Auto	Auto

7.1.4 MEASUREMENT RESULT

Note: Test chart See Appendix B

8. CONDUCTED SPURIOUS EMISSION

8.1 DESCRIPTION OF CONDUCTED SPURIOUS EMISSION MEASUREMENT

8.1.1 MEASUREMENT METHOD

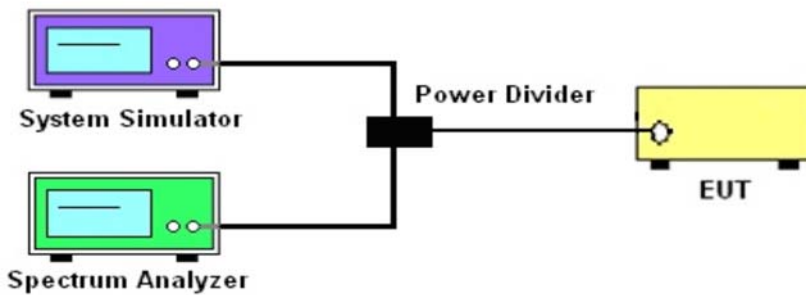
The power of any emission outside of the authorized operating frequency ranges must be lower than the transmitter power (P) by a factor of at least 43 + 10 log (P) dB.

For Band 7:

The power of any emission outside of the authorized operating frequency ranges must be lower than the transmitter power (P) by a factor of at least 55 + 10 log (P) dB.

It is measured by means of a calibrated spectrum analyzer and scanned from 30 MHz up to a frequency including its 10th harmonic.

8.1.2 TEST SETUP



8.1.3 TEST PROCEDURES

1. The testing FCC KDB 971168 D01 v03r01 Section 6.0. and ANSI C63.26 2015 Section 5.7.
2. The EUT was connected to spectrum analyzer and system simulator via a power divider.
3. The RF output of EUT was connected to the spectrum analyzer by RF cable and attenuator. The path loss was compensated to the results for each measurement
4. Make the measurement with the spectrum analyzer's RBW = 1MHz, VBW = 3MHz, taking the record of maximum spurious emission.
5. The RF fundamental frequency should be excluded against the limit line in the operating frequency band.
6. The limit line is derived from $43 + 10\log(P)\text{dB}$ below the transmitter power P(Watts)
 $= P(W) - [43 + 10\log(P)] \text{ (dB)} = [30 + 10\log(P)] \text{ (dBm)} - [43 + 10\log(P)] \text{ (dB)}$
 $= -13\text{dBm}$.

For Band 7: $P(W) - [43 + 10\log(P)] \text{ (dB)} = -25\text{dBm}$

	LTE					
LTE BW	1.4M	3M	5M	10M	15M	20M
Span	Auto	Auto	Auto	Auto	Auto	Auto
RBW	1000kHz	1000kHz	1000kHz	1000kHz	1000kHz	1000kHz
VBW	3000kHz	3000kHz	3000kHz	3000kHz	3000kHz	3000kHz
Detector	PK	PK	PK	PK	PK	PK
Trace	Max	Max	Max	Max	Max	Max

8.1.4 TEST RESULTS

Note: Test chart See Appendix C

9. RADIATED SPURIOUS EMISSION

9.1 DESCRIPTION OF RADIATED SPURIOUS EMISSION

9.1.1 MEASUREMENT METHOD

The radiated spurious emission was measured by substitution method according to ANSI C63.26 2015. The power of any emission outside of the authorized operating frequency ranges must be attenuated below the transmitter power (P) by a factor of at least $43 + 10 \log (P)$ dB. For Band 7 The power of any emission outside of the authorized operating frequency ranges must be attenuated below the transmitter power (P) by a factor of at least $55 + 10 \log (P)$ dB. The spectrum is scanned from 30 MHz up to a frequency including its 10th harmonic.

9.1.2 TEST SETUP

The procedure of radiated spurious emissions is as follows:

a) Pre-calibration With pre-calibration method, the Radiated Spurious Emissions(RSE) is calculated as, $RSE = Rx (dBuV) + CL (dB) + SA (dB) + Gain (dBi) - 107 (dBuV \text{ to } dBm)$ The SA is calibrated using following setup.

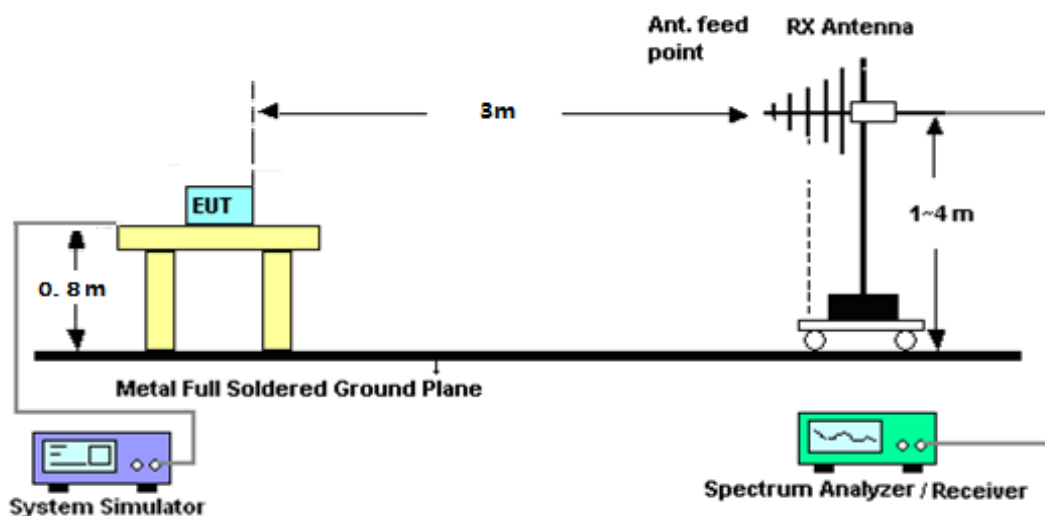
b) EUT was placed on 1.5 m non-conductive stand at a 3 m test distance from the receive antenna. A receiving antenna was placed on the antenna mast 3 m from the test item for emission measurements. The height of receiving antenna is 0.8m. The test setup refers to figure below. Detected emissions were maximized at each frequency by rotating the test item and adjusting the receiving antenna polarization. The radiated emission measurements of all non-harmonic and harmonics of the transmit frequency through the 10th harmonic measured with peak detector and 1MHz bandwidth.

Radiated emissions measurements were made only at the upper, middle, and lower carrier frequencies It was decided that measurements at these three carrier frequencies would be sufficient to demonstrate compliance with emissions limits because it was seen that all the significant spurs occur well outside the band and no radiation was seen from a carrier in one block of any band into any of the other blocks.

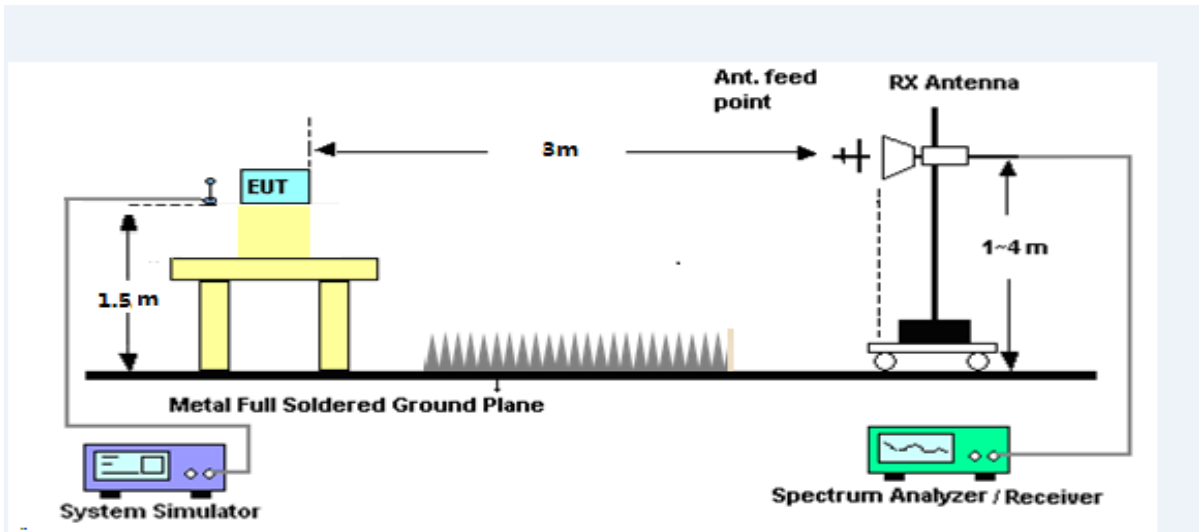
The substitution method is used. Substitution values at each frequency are measured before and saved to the test software. A "reference path loss" is established and the ARpl is the attenuation of "reference path loss", and including the gain of receive antenna, the gain of the preamplifier, the cable loss and the air loss. The measurement results are obtained as described below:

$$\text{Power} = \text{PMea} + \text{ARpl}$$

For radiated test from 30MHz to 1GHz



For radiated test from above 1GHz



9.1.3 TEST PROCEDURES

1. The testing FCC KDB 971168 D01 Section 5.8 and ANSI C63.26 2015 Section 5.5.
2. The EUT was placed on a rotatable wooden table with 1.5 meter above ground.
3. The EUT was set 3 meters from the receiving antenna, which was mounted on the antenna tower.
4. The table was rotated 360 degrees to determine the position of the highest spurious emission.
5. The height of the receiving antenna is varied between one meter and four meters to search the maximum spurious emission for both horizontal and vertical polarizations
6. Make the measurement with the spectrum analyzer's RBW = 1MHz, VBW = 3MHz, taking the record of maximum spurious emission.
7. A horn antenna was substituted in place of the EUT and was driven by a signal generator.
8. Tune the output power of signal generator to the same emission level with EUT maximum spurious emission.
9. Taking the record of output power at antenna port.
10. Repeat step 7 to step 8 for another polarization.
11. The RF fundamental frequency should be excluded against the limit line in the operating frequency band.

The limit line is derived from $43 + 10\log(P)\text{dB}$ below the transmitter power P(Watts)
 $= P(W) - [43 + 10\log(P)] \text{ (dB)}$
 $= [30 + 10\log(P)] \text{ (dBm)} - [43 + 10\log(P)] \text{ (dB)}$
 $= -13\text{dBm}$

For Band 7:

The limit line is derived from $55 + 10\log(P)\text{dB}$ below the transmitter power P(Watts)
 $= [30 + 10\log(P)] \text{ (dBm)} - [55 + 10\log(P)] \text{ (dB)}$
 $= -25\text{dBm}$

$\text{EIRP (dBm)} = \text{S.G. Power} - \text{Tx Cable Loss} + \text{Tx Antenna Gain}$

$\text{ERP (dBm)} = \text{EIRP} - 2.15$



9.1.4 TEST RESULTS

LTE Band 2 / 1.4MHz / QPSK / RB Size 1 Offset 0/ The Worst Test Results for Lowest							
Frequency(MHz)	S G.Lev (dBm)	Ant(dBi)	Loss	PMea	Limit	Margin	Polarity
				(dBm)	(dBm)	(dBm)	
3701.08	-34.47	12.60	12.93	-34.80	-13.00	-21.80	H
5552.12	-35.07	13.10	17.11	-39.08	-13.00	-26.08	H
7402.68	-32.35	11.50	22.20	-43.05	-13.00	-30.05	H
3701.08	-34.55	12.60	12.93	-34.88	-13.00	-21.88	V
5552.12	-35.20	13.10	17.11	-39.21	-13.00	-26.21	V
7402.68	-33.18	11.50	22.20	-43.88	-13.00	-30.88	V
LTE Band 2 / 1.4MHz / QPSK / RB Size 1 Offset 0/ The Worst Test Results for Middle							
Frequency(MHz)	S G.Lev (dBm)	Ant(dBi)	Loss	PMea	Limit	Margin	Polarity
				(dBm)	(dBm)	(dBm)	
3760.21	-33.44	12.60	12.93	-33.77	-13.00	-20.77	H
5640.10	-34.56	13.10	17.11	-38.57	-13.00	-25.57	H
7519.94	-33.54	11.50	22.20	-44.24	-13.00	-31.24	H
3760.21	-35.42	12.60	12.93	-35.75	-13.00	-22.75	V
5640.10	-34.78	13.10	17.11	-38.79	-13.00	-25.79	V
7519.94	-31.93	11.50	22.20	-42.63	-13.00	-29.63	V
LTE Band 2 / 1.4MHz / QPSK / RB Size 1 Offset 0/ The Worst Test Results for Highest							
Frequency(MHz)	S G.Lev (dBm)	Ant(dBi)	Loss	PMea	Limit	Margin	Polarity
				(dBm)	(dBm)	(dBm)	
3818.27	-34.59	12.60	12.93	-34.92	-13.00	-21.92	H
5727.75	-34.29	13.10	17.11	-38.30	-13.00	-25.30	H
7636.88	-33.11	11.50	22.20	-43.81	-13.00	-30.81	H
3818.27	-35.25	12.60	12.93	-35.58	-13.00	-22.58	V
5727.75	-34.75	13.10	17.11	-38.76	-13.00	-25.76	V
7636.88	-31.93	11.50	22.20	-42.63	-13.00	-29.63	V



LTE Band 2 / 3MHz / QPSK / RB Size 1 Offset 0/ The Worst Test Results for Lowest							
Frequency(MHz)	S G.Lev (dBm)	Ant(dBi)	Loss	PMea	Limit	Margin	Polarity
				(dBm)	(dBm)	(dBm)	
3702.87	-34.77	12.60	12.93	-35.10	-13.00	-22.10	H
5554.55	-34.11	13.10	17.11	-38.12	-13.00	-25.12	H
7405.87	-32.97	11.50	22.20	-43.67	-13.00	-30.67	H
3702.87	-34.55	12.60	12.93	-34.88	-13.00	-21.88	V
5554.55	-34.43	13.10	17.11	-38.44	-13.00	-25.44	V
7405.87	-32.10	11.50	22.20	-42.80	-13.00	-29.80	V
LTE Band 2 / 3MHz / QPSK / RB Size 1 Offset 0/ The Worst Test Results for Middle							
Frequency(MHz)	S G.Lev (dBm)	Ant(dBi)	Loss	PMea	Limit	Margin	Polarity
				(dBm)	(dBm)	(dBm)	
3759.95	-34.84	12.60	12.93	-35.17	-13.00	-22.17	H
5640.08	-35.08	13.10	17.11	-39.09	-13.00	-26.09	H
7520.17	-33.35	11.50	22.20	-44.05	-13.00	-31.05	H
3759.95	-35.80	12.60	12.93	-36.13	-13.00	-23.13	V
5640.08	-35.02	13.10	17.11	-39.03	-13.00	-26.03	V
7520.17	-31.74	11.50	22.20	-42.44	-13.00	-29.44	V
LTE Band 2 / 3MHz / QPSK / RB Size 1 Offset 0/ The Worst Test Results for Highest							
Frequency(MHz)	S G.Lev (dBm)	Ant(dBi)	Loss	PMea	Limit	Margin	Polarity
				(dBm)	(dBm)	(dBm)	
3817.02	-34.35	12.60	12.93	-34.68	-13.00	-21.68	H
5725.60	-34.25	13.10	17.11	-38.26	-13.00	-25.26	H
7634.33	-32.21	11.50	22.20	-42.91	-13.00	-29.91	H
3817.02	-35.72	12.60	12.93	-36.05	-13.00	-23.05	V
5725.60	-33.87	13.10	17.11	-37.88	-13.00	-24.88	V
7634.33	-31.97	11.50	22.20	-42.67	-13.00	-29.67	V



LTE Band 2 / 5MHz / QPSK / RB Size 1 Offset 0/ The Worst Test Results for Lowest							
Frequency(MHz)	S G.Lev (dBm)	Ant(dBi)	Loss	PMea	Limit	Margin	Polarity
				(dBm)	(dBm)	(dBm)	
3705.48	-34.41	12.60	12.93	-34.74	-13.00	-21.74	H
5557.32	-34.79	13.10	17.11	-38.80	-13.00	-25.80	H
7410.14	-32.28	11.50	22.20	-42.98	-13.00	-29.98	H
3705.48	-34.67	12.60	12.93	-35.00	-13.00	-22.00	V
5557.32	-33.98	13.10	17.11	-37.99	-13.00	-24.99	V
7410.14	-32.47	11.50	22.20	-43.17	-13.00	-30.17	V
LTE Band 2 / 5MHz / QPSK / RB Size 1 Offset 0/ The Worst Test Results for Middle							
Frequency(MHz)	S G.Lev (dBm)	Ant(dBi)	Loss	PMea	Limit	Margin	Polarity
				(dBm)	(dBm)	(dBm)	
3759.88	-34.74	12.60	12.93	-35.07	-13.00	-22.07	H
5640.21	-34.55	13.10	17.11	-38.56	-13.00	-25.56	H
7520.22	-32.67	11.50	22.20	-43.37	-13.00	-30.37	H
3759.88	-35.85	12.60	12.93	-36.18	-13.00	-23.18	V
5640.21	-34.58	13.10	17.11	-38.59	-13.00	-25.59	V
7520.22	-31.81	11.50	22.20	-42.51	-13.00	-29.51	V
LTE Band 2 / 5MHz / QPSK / RB Size 1 Offset 0/ The Worst Test Results for Highest							
Frequency(MHz)	S G.Lev (dBm)	Ant(dBi)	Loss	PMea	Limit	Margin	Polarity
				(dBm)	(dBm)	(dBm)	
3814.96	-34.38	12.60	12.93	-34.71	-13.00	-21.71	H
5722.18	-34.24	13.10	17.11	-38.25	-13.00	-25.25	H
7630.05	-33.08	11.50	22.20	-43.78	-13.00	-30.78	H
3814.96	-35.92	12.60	12.93	-36.25	-13.00	-23.25	V
5722.18	-34.31	13.10	17.11	-38.32	-13.00	-25.32	V
7630.05	-32.52	11.50	22.20	-43.22	-13.00	-30.22	V



LTE Band 2 / 10MHz / QPSK / RB Size 1 Offset 0/ The Worst Test Results for Lowest							
Frequency(MHz)	S G.Lev (dBm)	Ant(dBi)	Loss	PMea	Limit	Margin	Polarity
				(dBm)	(dBm)	(dBm)	
3710.35	-34.42	12.60	12.93	-34.75	-13.00	-21.75	H
5565.09	-34.82	13.10	17.11	-38.83	-13.00	-25.83	H
7420.07	-32.19	11.50	22.20	-42.89	-13.00	-29.89	H
3710.35	-35.62	12.60	12.93	-35.95	-13.00	-22.95	V
5565.09	-33.86	13.10	17.11	-37.87	-13.00	-24.87	V
7420.07	-32.08	11.50	22.20	-42.78	-13.00	-29.78	V
LTE Band 2 / 10MHz / QPSK / RB Size 1 Offset 0/ The Worst Test Results for Middle							
Frequency(MHz)	S G.Lev (dBm)	Ant(dBi)	Loss	PMea	Limit	Margin	Polarity
				(dBm)	(dBm)	(dBm)	
3760.12	-33.79	12.60	12.93	-34.12	-13.00	-21.12	H
5640.04	-34.62	13.10	17.11	-38.63	-13.00	-25.63	H
7520.02	-33.50	11.50	22.20	-44.20	-13.00	-31.20	H
3760.12	-34.89	12.60	12.93	-35.22	-13.00	-22.22	V
5640.04	-34.26	13.10	17.11	-38.27	-13.00	-25.27	V
7520.02	-32.40	11.50	22.20	-43.10	-13.00	-30.10	V
LTE Band 2 / 10MHz / QPSK / RB Size 1 Offset 0/ The Worst Test Results for Highest							
Frequency(MHz)	S G.Lev (dBm)	Ant(dBi)	Loss	PMea	Limit	Margin	Polarity
				(dBm)	(dBm)	(dBm)	
3810.28	-34.08	12.60	12.93	-34.41	-13.00	-21.41	H
5714.62	-35.03	13.10	17.11	-39.04	-13.00	-26.04	H
7620.23	-33.14	11.50	22.20	-43.84	-13.00	-30.84	H
3810.28	-35.25	12.60	12.93	-35.58	-13.00	-22.58	V
5714.62	-33.81	13.10	17.11	-37.82	-13.00	-24.82	V
7620.23	-33.10	11.50	22.20	-43.80	-13.00	-30.80	V



LTE Band 2 / 15MHz / QPSK / RB Size 1 Offset 0/ The Worst Test Results for Lowest							
Frequency(MHz)	S G.Lev (dBm)	Ant(dBi)	Loss	PMea	Limit	Margin	Polarity
				(dBm)	(dBm)	(dBm)	
3715.02	-34.03	12.60	12.93	-34.36	-13.00	-21.36	H
5572.46	-34.00	13.10	17.11	-38.01	-13.00	-25.01	H
7430.68	-33.42	11.50	22.20	-44.12	-13.00	-31.12	H
3715.02	-34.78	12.60	12.93	-35.11	-13.00	-22.11	V
5572.46	-34.72	13.10	17.11	-38.73	-13.00	-25.73	V
7430.68	-33.04	11.50	22.20	-43.74	-13.00	-30.74	V
LTE Band 2 / 15MHz / QPSK / RB Size 1 Offset 0/ The Worst Test Results for Middle							
Frequency(MHz)	S G.Lev (dBm)	Ant(dBi)	Loss	PMea	Limit	Margin	Polarity
				(dBm)	(dBm)	(dBm)	
3759.99	-33.75	12.60	12.93	-34.08	-13.00	-21.08	H
5640.16	-34.49	13.10	17.11	-38.50	-13.00	-25.50	H
7520.02	-32.79	11.50	22.20	-43.49	-13.00	-30.49	H
3759.99	-34.71	12.60	12.93	-35.04	-13.00	-22.04	V
5640.16	-33.79	13.10	17.11	-37.80	-13.00	-24.80	V
7520.02	-32.17	11.50	22.20	-42.87	-13.00	-29.87	V
LTE Band 2 / 15MHz / QPSK / RB Size 1 Offset 0/ The Worst Test Results for Highest							
Frequency(MHz)	S G.Lev (dBm)	Ant(dBi)	Loss	PMea	Limit	Margin	Polarity
				(dBm)	(dBm)	(dBm)	
3804.85	-33.72	12.60	12.93	-34.05	-13.00	-21.05	H
5707.44	-34.43	13.10	17.11	-38.44	-13.00	-25.44	H
7609.93	-33.49	11.50	22.20	-44.19	-13.00	-31.19	H
3804.85	-34.55	12.60	12.93	-34.88	-13.00	-21.88	V
5707.44	-33.95	13.10	17.11	-37.96	-13.00	-24.96	V
7609.93	-33.01	11.50	22.20	-43.71	-13.00	-30.71	V



LTE Band 2 / 20MHz / QPSK / RB Size 1 Offset 0/ The Worst Test Results for Lowest							
Frequency(MHz)	S G.Lev (dBm)	Ant(dBi)	Loss	PMea	Limit	Margin	Polarity
				(dBm)	(dBm)	(dBm)	
3720.39	-33.93	12.60	12.93	-34.26	-13.00	-21.26	H
5580.53	-35.16	13.10	17.11	-39.17	-13.00	-26.17	H
7439.89	-33.10	11.50	22.20	-43.80	-13.00	-30.80	H
3720.39	-35.55	12.60	12.93	-35.88	-13.00	-22.88	V
5580.53	-35.10	13.10	17.11	-39.11	-13.00	-26.11	V
7439.89	-33.12	11.50	22.20	-43.82	-13.00	-30.82	V
LTE Band 2 / 20MHz / QPSK / RB Size 1 Offset 0/ The Worst Test Results for Middle							
Frequency(MHz)	S G.Lev (dBm)	Ant(dBi)	Loss	PMea	Limit	Margin	Polarity
				(dBm)	(dBm)	(dBm)	
3759.93	-34.35	12.60	12.93	-34.68	-13.00	-21.68	H
5640.13	-34.48	13.10	17.11	-38.49	-13.00	-25.49	H
7520.02	-32.70	11.50	22.20	-43.40	-13.00	-30.40	H
3759.93	-35.73	12.60	12.93	-36.06	-13.00	-23.06	V
5640.13	-34.94	13.10	17.11	-38.95	-13.00	-25.95	V
7520.02	-32.36	11.50	22.20	-43.06	-13.00	-30.06	V
LTE Band 2 / 20MHz / QPSK / RB Size 1 Offset 0/ The Worst Test Results for Highest							
Frequency(MHz)	S G.Lev (dBm)	Ant(dBi)	Loss	PMea	Limit	Margin	Polarity
				(dBm)	(dBm)	(dBm)	
3800.00	-34.80	12.60	12.93	-35.13	-13.00	-22.13	H
5700.13	-34.02	13.10	17.11	-38.03	-13.00	-25.03	H
7600.06	-32.57	11.50	22.20	-43.27	-13.00	-30.27	H
3800.00	-35.81	12.60	12.93	-36.14	-13.00	-23.14	V
5700.13	-34.91	13.10	17.11	-38.92	-13.00	-25.92	V
7600.06	-32.89	11.50	22.20	-43.59	-13.00	-30.59	V



LTE Band 4 / 1.4MHz / QPSK / RB Size 1 Offset 0/ The Worst Test Results for Lowest							
Frequency(MHz)	S G.Lev (dBm)	Ant(dBi)	Loss	PMea	Limit	Margin	Polarity
				(dBm)	(dBm)	(dBm)	
3421.29	-33.66	12.90	12.56	-33.32	-13.00	-20.32	H
5131.85	-34.91	13.10	16.32	-38.13	-13.00	-25.13	H
6842.80	-32.25	12.33	21.13	-41.05	-13.00	-28.05	H
3421.29	-36.01	12.90	12.56	-35.67	-13.00	-22.67	V
5131.85	-34.62	13.10	16.32	-37.84	-13.00	-24.84	V
6842.80	-32.82	12.33	21.13	-41.62	-13.00	-28.62	V
LTE Band 4 / 1.4MHz / QPSK / RB Size 1 Offset 0/ The Worst Test Results for Middle							
Frequency(MHz)	S G.Lev (dBm)	Ant(dBi)	Loss	PMea	Limit	Margin	Polarity
				(dBm)	(dBm)	(dBm)	
3464.79	-33.77	12.90	12.56	-33.43	-13.00	-20.43	H
5196.68	-35.34	13.10	16.32	-38.56	-13.00	-25.56	H
6930.24	-32.39	12.33	21.13	-41.19	-13.00	-28.19	H
3464.79	-35.06	12.90	12.56	-34.72	-13.00	-21.72	V
5196.68	-34.82	13.10	16.32	-38.04	-13.00	-25.04	V
6930.24	-32.72	12.33	21.13	-41.52	-13.00	-28.52	V
LTE Band 4 / 1.4MHz / QPSK / RB Size 1 Offset 0/ The Worst Test Results for Highest							
Frequency(MHz)	S G.Lev (dBm)	Ant(dBi)	Loss	PMea	Limit	Margin	Polarity
				(dBm)	(dBm)	(dBm)	
3508.07	-34.10	12.90	12.56	-33.76	-13.00	-20.76	H
5262.31	-34.68	13.10	16.32	-37.90	-13.00	-24.90	H
7015.69	-33.33	12.33	21.13	-42.13	-13.00	-29.13	H
3508.07	-35.01	12.90	12.56	-34.67	-13.00	-21.67	V
5262.31	-34.14	13.10	16.32	-37.36	-13.00	-24.36	V
7015.69	-33.12	12.33	21.13	-41.92	-13.00	-28.92	V



LTE Band 4 / 3MHz / QPSK / RB Size 1 Offset 0/ The Worst Test Results for Lowest							
Frequency(MHz)	S G.Lev (dBm)	Ant(dBi)	Loss	PMea	Limit	Margin	Polarity
				(dBm)	(dBm)	(dBm)	
3423.70	-34.17	12.90	12.56	-33.83	-13.00	-20.83	H
5135.81	-35.13	13.10	16.32	-38.35	-13.00	-25.35	H
6848.73	-32.87	12.33	21.13	-41.67	-13.00	-28.67	H
3423.70	-34.66	12.90	12.56	-34.32	-13.00	-21.32	V
5135.81	-34.61	13.10	16.32	-37.83	-13.00	-24.83	V
6848.73	-32.75	12.33	21.13	-41.55	-13.00	-28.55	V
LTE Band 4 / 3MHz / QPSK / RB Size 1 Offset 0/ The Worst Test Results for Middle							
Frequency(MHz)	S G.Lev (dBm)	Ant(dBi)	Loss	PMea	Limit	Margin	Polarity
				(dBm)	(dBm)	(dBm)	
3464.60	-33.94	12.90	12.56	-33.60	-13.00	-20.60	H
5197.04	-34.94	13.10	16.32	-38.16	-13.00	-25.16	H
6929.92	-32.78	12.33	21.13	-41.58	-13.00	-28.58	H
3464.60	-35.36	12.90	12.56	-35.02	-13.00	-22.02	V
5197.04	-33.88	13.10	16.32	-37.10	-13.00	-24.10	V
6929.92	-32.28	12.33	21.13	-41.08	-13.00	-28.08	V
LTE Band 4 / 3MHz / QPSK / RB Size 1 Offset 0/ The Worst Test Results for Highest							
Frequency(MHz)	S G.Lev (dBm)	Ant(dBi)	Loss	PMea	Limit	Margin	Polarity
				(dBm)	(dBm)	(dBm)	
3506.23	-33.54	12.90	12.56	-33.20	-13.00	-20.20	H
5262.04	-35.04	13.10	16.32	-38.26	-13.00	-25.26	H
7012.71	-33.19	12.33	21.13	-41.99	-13.00	-28.99	H
3506.23	-35.22	12.90	12.56	-34.88	-13.00	-21.88	V
5262.04	-34.69	13.10	16.32	-37.91	-13.00	-24.91	V
7012.71	-32.29	12.33	21.13	-41.09	-13.00	-28.09	V



LTE Band 4 / 5MHz / QPSK / RB Size 1 Offset 0/ The Worst Test Results for Lowest							
Frequency(MHz)	S G.Lev (dBm)	Ant(dBi)	Loss	PMea	Limit	Margin	Polarity
				(dBm)	(dBm)	(dBm)	
3424.71	-33.46	12.90	12.56	-33.12	-13.00	-20.12	H
5137.31	-34.91	13.10	16.32	-38.13	-13.00	-25.13	H
6849.49	-33.42	12.33	21.13	-42.22	-13.00	-29.22	H
3424.71	-35.54	12.90	12.56	-35.20	-13.00	-22.20	V
5137.31	-33.92	13.10	16.32	-37.14	-13.00	-24.14	V
6849.49	-32.03	12.33	21.13	-40.83	-13.00	-27.83	V
LTE Band 4 / 5MHz / QPSK / RB Size 1 Offset 0/ The Worst Test Results for Middle							
Frequency(MHz)	S G.Lev (dBm)	Ant(dBi)	Loss	PMea	Limit	Margin	Polarity
				(dBm)	(dBm)	(dBm)	
3464.37	-34.50	12.90	12.56	-34.16	-13.00	-21.16	H
5196.60	-35.03	13.10	16.32	-38.25	-13.00	-25.25	H
6929.58	-32.24	12.33	21.13	-41.04	-13.00	-28.04	H
3464.37	-35.94	12.90	12.56	-35.60	-13.00	-22.60	V
5196.60	-34.79	13.10	16.32	-38.01	-13.00	-25.01	V
6929.58	-31.91	12.33	21.13	-40.71	-13.00	-27.71	V
LTE Band 4 / 5MHz / QPSK / RB Size 1 Offset 0/ The Worst Test Results for Highest							
Frequency(MHz)	S G.Lev (dBm)	Ant(dBi)	Loss	PMea	Limit	Margin	Polarity
				(dBm)	(dBm)	(dBm)	
3504.91	-34.71	12.90	12.56	-34.37	-13.00	-21.37	H
5256.86	-35.34	13.10	16.32	-38.56	-13.00	-25.56	H
7009.84	-33.29	12.33	21.13	-42.09	-13.00	-29.09	H
3504.91	-35.97	12.90	12.56	-35.63	-13.00	-22.63	V
5256.86	-34.89	13.10	16.32	-38.11	-13.00	-25.11	V
7009.84	-31.87	12.33	21.13	-40.67	-13.00	-27.67	V



LTE Band 4 / 10MHz / QPSK / RB Size 1 Offset 0/ The Worst Test Results for Lowest							
Frequency(MHz)	S G.Lev (dBm)	Ant(dBi)	Loss	PMea	Limit	Margin	Polarity
				(dBm)	(dBm)	(dBm)	
3429.92	-34.17	12.90	12.56	-33.83	-13.00	-20.83	H
5145.06	-34.45	13.10	16.32	-37.67	-13.00	-24.67	H
6860.18	-32.83	12.33	21.13	-41.63	-13.00	-28.63	H
3429.92	-35.83	12.90	12.56	-35.49	-13.00	-22.49	V
5145.06	-33.88	13.10	16.32	-37.10	-13.00	-24.10	V
6860.18	-32.54	12.33	21.13	-41.34	-13.00	-28.34	V
LTE Band 4 / 10MHz / QPSK / RB Size 1 Offset 0/ The Worst Test Results for Middle							
Frequency(MHz)	S G.Lev (dBm)	Ant(dBi)	Loss	PMea	Limit	Margin	Polarity
				(dBm)	(dBm)	(dBm)	
3464.42	-34.82	12.90	12.56	-34.48	-13.00	-21.48	H
5196.79	-35.38	13.10	16.32	-38.60	-13.00	-25.60	H
6929.54	-33.02	12.33	21.13	-41.82	-13.00	-28.82	H
3464.42	-34.80	12.90	12.56	-34.46	-13.00	-21.46	V
5196.79	-34.65	13.10	16.32	-37.87	-13.00	-24.87	V
6929.54	-31.95	12.33	21.13	-40.75	-13.00	-27.75	V
LTE Band 4 / 10MHz / QPSK / RB Size 1 Offset 0/ The Worst Test Results for Highest							
Frequency(MHz)	S G.Lev (dBm)	Ant(dBi)	Loss	PMea	Limit	Margin	Polarity
				(dBm)	(dBm)	(dBm)	
3500.35	-34.19	12.90	12.56	-33.85	-13.00	-20.85	H
5250.16	-35.18	13.10	16.32	-38.40	-13.00	-25.40	H
7000.06	-32.61	12.33	21.13	-41.41	-13.00	-28.41	H
3500.35	-34.55	12.90	12.56	-34.21	-13.00	-21.21	V
5250.16	-34.39	13.10	16.32	-37.61	-13.00	-24.61	V
7000.06	-33.06	12.33	21.13	-41.86	-13.00	-28.86	V



LTE Band 4 / 15MHz / QPSK / RB Size 1 Offset 0/ The Worst Test Results for Lowest							
Frequency(MHz)	S G.Lev (dBm)	Ant(dBi)	Loss	PMea	Limit	Margin	Polarity
				(dBm)	(dBm)	(dBm)	
3434.77	-34.27	12.90	12.56	-33.93	-13.00	-20.93	H
5152.23	-35.36	13.10	16.32	-38.58	-13.00	-25.58	H
6870.57	-32.71	12.33	21.13	-41.51	-13.00	-28.51	H
3434.77	-35.23	12.90	12.56	-34.89	-13.00	-21.89	V
5152.23	-34.50	13.10	16.32	-37.72	-13.00	-24.72	V
6870.57	-32.82	12.33	21.13	-41.62	-13.00	-28.62	V
LTE Band 4 / 15MHz / QPSK / RB Size 1 Offset 0/ The Worst Test Results for Middle							
Frequency(MHz)	S G.Lev (dBm)	Ant(dBi)	Loss	PMea	Limit	Margin	Polarity
				(dBm)	(dBm)	(dBm)	
3464.66	-33.84	12.90	12.56	-33.50	-13.00	-20.50	H
5196.83	-34.62	13.10	16.32	-37.84	-13.00	-24.84	H
6930.04	-32.88	12.33	21.13	-41.68	-13.00	-28.68	H
3464.66	-34.76	12.90	12.56	-34.42	-13.00	-21.42	V
5196.83	-34.14	13.10	16.32	-37.36	-13.00	-24.36	V
6930.04	-31.95	12.33	21.13	-40.75	-13.00	-27.75	V
LTE Band 4 / 15MHz / QPSK / RB Size 1 Offset 0/ The Worst Test Results for Highest							
Frequency(MHz)	S G.Lev (dBm)	Ant(dBi)	Loss	PMea	Limit	Margin	Polarity
				(dBm)	(dBm)	(dBm)	
3495.30	-33.63	12.90	12.56	-33.29	-13.00	-20.29	H
5242.18	-34.30	13.10	16.32	-37.52	-13.00	-24.52	H
6990.18	-32.52	12.33	21.13	-41.32	-13.00	-28.32	H
3495.30	-35.66	12.90	12.56	-35.32	-13.00	-22.32	V
5242.18	-34.72	13.10	16.32	-37.94	-13.00	-24.94	V
6990.18	-32.77	12.33	21.13	-41.57	-13.00	-28.57	V



LTE Band 4 / 20MHz / QPSK / RB Size 1 Offset 0/ The Worst Test Results for Lowest							
Frequency(MHz)	S G.Lev (dBm)	Ant(dBi)	Loss	PMea	Limit	Margin	Polarity
				(dBm)	(dBm)	(dBm)	
3440.02	-34.60	12.90	12.56	-34.26	-13.00	-21.26	H
5159.88	-34.61	13.10	16.32	-37.83	-13.00	-24.83	H
6880.77	-33.37	12.33	21.13	-42.17	-13.00	-29.17	H
3440.02	-34.93	12.90	12.56	-34.59	-13.00	-21.59	V
5159.88	-34.84	13.10	16.32	-38.06	-13.00	-25.06	V
6880.77	-31.84	12.33	21.13	-40.64	-13.00	-27.64	V
LTE Band 4 / 20MHz / QPSK / RB Size 1 Offset 0/ The Worst Test Results for Middle							
Frequency(MHz)	S G.Lev (dBm)	Ant(dBi)	Loss	PMea	Limit	Margin	Polarity
				(dBm)	(dBm)	(dBm)	
3464.93	-33.77	12.90	12.56	-33.43	-13.00	-20.43	H
5196.71	-35.35	13.10	16.32	-38.57	-13.00	-25.57	H
6929.90	-33.06	12.33	21.13	-41.86	-13.00	-28.86	H
3464.93	-34.92	12.90	12.56	-34.58	-13.00	-21.58	V
5196.71	-34.55	13.10	16.32	-37.77	-13.00	-24.77	V
6929.90	-31.79	12.33	21.13	-40.59	-13.00	-27.59	V
LTE Band 4 / 20MHz / QPSK / RB Size 1 Offset 0/ The Worst Test Results for Highest							
Frequency(MHz)	S G.Lev (dBm)	Ant(dBi)	Loss	PMea	Limit	Margin	Polarity
				(dBm)	(dBm)	(dBm)	
3490.47	-33.62	12.90	12.56	-33.28	-13.00	-20.28	H
5235.16	-34.02	13.10	16.32	-37.24	-13.00	-24.24	H
6979.51	-33.53	12.33	21.13	-42.33	-13.00	-29.33	H
3490.47	-35.83	12.90	12.56	-35.49	-13.00	-22.49	V
5235.16	-34.83	13.10	16.32	-38.05	-13.00	-25.05	V
6979.51	-32.77	12.33	21.13	-41.57	-13.00	-28.57	V



LTE Band 5 / 1.4MHz / QPSK / RB Size 1 Offset 0/ The Worst Test Results for Lowest							
Frequency(MHz)	S G.Lev (dBm)	Ant(dBi)	Loss	PMea	Limit	Margin	Polarity
				(dBm)	(dBm)	(dBm)	
1648.77	-33.77	9.56	9.72	-33.93	-13.00	-20.93	H
2473.54	-34.91	10.50	10.86	-35.27	-13.00	-22.27	H
3298.45	-33.57	12.78	11.57	-32.36	-13.00	-19.36	H
1648.77	-35.25	9.56	9.72	-35.41	-13.00	-22.41	V
2473.54	-34.54	10.50	10.86	-34.90	-13.00	-21.90	V
3298.45	-32.19	12.78	11.57	-30.98	-13.00	-17.98	V
LTE Band 5 / 1.4MHz / QPSK / RB Size 1 Offset 0/ The Worst Test Results for Middle							
Frequency(MHz)	S G.Lev (dBm)	Ant(dBi)	Loss	PMea	Limit	Margin	Polarity
				(dBm)	(dBm)	(dBm)	
1672.49	-34.34	9.56	9.72	-34.50	-13.00	-21.50	H
2509.33	-34.36	10.50	10.86	-34.72	-13.00	-21.72	H
3345.34	-33.59	12.78	11.57	-32.38	-13.00	-19.38	H
1672.49	-35.12	9.56	9.72	-35.28	-13.00	-22.28	V
2509.33	-35.20	10.50	10.86	-35.56	-13.00	-22.56	V
3345.34	-32.48	12.78	11.57	-31.27	-13.00	-18.27	V
LTE Band 5 / 1.4MHz / QPSK / RB Size 1 Offset 0/ The Worst Test Results for Highest							
Frequency(MHz)	S G.Lev (dBm)	Ant(dBi)	Loss	PMea	Limit	Margin	Polarity
				(dBm)	(dBm)	(dBm)	
1696.31	-33.72	9.56	9.72	-33.88	-13.00	-20.88	H
2544.39	-34.45	10.50	10.86	-34.81	-13.00	-21.81	H
3393.01	-32.74	12.78	11.57	-31.53	-13.00	-18.53	H
1696.31	-34.77	9.56	9.72	-34.93	-13.00	-21.93	V
2544.39	-33.84	10.50	10.86	-34.20	-13.00	-21.20	V
3393.01	-32.28	12.78	11.57	-31.07	-13.00	-18.07	V



LTE Band 5 / 3MHz / QPSK / RB Size 1 Offset 0/ The Worst Test Results for Lowest							
Frequency(MHz)	S G.Lev (dBm)	Ant(dBi)	Loss	PMea	Limit	Margin	Polarity
				(dBm)	(dBm)	(dBm)	
1650.31	-33.94	9.56	9.72	-34.10	-13.00	-21.10	H
2475.74	-34.37	10.50	10.86	-34.73	-13.00	-21.73	H
3301.57	-32.19	12.78	11.57	-30.98	-13.00	-17.98	H
1650.31	-35.06	9.56	9.72	-35.22	-13.00	-22.22	V
2475.74	-34.29	10.50	10.86	-34.65	-13.00	-21.65	V
3301.57	-32.33	12.78	11.57	-31.12	-13.00	-18.12	V
LTE Band 5 / 3MHz / QPSK / RB Size 1 Offset 0/ The Worst Test Results for Middle							
Frequency(MHz)	S G.Lev (dBm)	Ant(dBi)	Loss	PMea	Limit	Margin	Polarity
				(dBm)	(dBm)	(dBm)	
1672.51	-33.52	9.56	9.72	-33.68	-13.00	-20.68	H
2509.03	-35.48	10.50	10.86	-35.84	-13.00	-22.84	H
3345.57	-32.95	12.78	11.57	-31.74	-13.00	-18.74	H
1672.51	-35.49	9.56	9.72	-35.65	-13.00	-22.65	V
2509.03	-35.22	10.50	10.86	-35.58	-13.00	-22.58	V
3345.57	-33.08	12.78	11.57	-31.87	-13.00	-18.87	V
LTE Band 5 / 3MHz / QPSK / RB Size 1 Offset 0/ The Worst Test Results for Highest							
Frequency(MHz)	S G.Lev (dBm)	Ant(dBi)	Loss	PMea	Limit	Margin	Polarity
				(dBm)	(dBm)	(dBm)	
1694.29	-34.84	9.56	9.72	-35.00	-13.00	-22.00	H
2542.16	-35.29	10.50	10.86	-35.65	-13.00	-22.65	H
3389.22	-32.89	12.78	11.57	-31.68	-13.00	-18.68	H
1694.29	-35.86	9.56	9.72	-36.02	-13.00	-23.02	V
2542.16	-34.86	10.50	10.86	-35.22	-13.00	-22.22	V
3389.22	-32.63	12.78	11.57	-31.42	-13.00	-18.42	V



LTE Band 5 / 5MHz / QPSK / RB Size 1 Offset 0/ The Worst Test Results for Lowest							
Frequency(MHz)	S G.Lev (dBm)	Ant(dBi)	Loss	PMea	Limit	Margin	Polarity
				(dBm)	(dBm)	(dBm)	
1652.66	-34.75	9.56	9.72	-34.91	-13.00	-21.91	H
2478.97	-35.16	10.50	10.86	-35.52	-13.00	-22.52	H
3305.41	-32.75	12.78	11.57	-31.54	-13.00	-18.54	H
1652.66	-35.63	9.56	9.72	-35.79	-13.00	-22.79	V
2478.97	-34.15	10.50	10.86	-34.51	-13.00	-21.51	V
3305.41	-32.64	12.78	11.57	-31.43	-13.00	-18.43	V
LTE Band 5 / 5MHz / QPSK / RB Size 1 Offset 0/ The Worst Test Results for Middle							
Frequency(MHz)	S G.Lev (dBm)	Ant(dBi)	Loss	PMea	Limit	Margin	Polarity
				(dBm)	(dBm)	(dBm)	
1672.13	-34.70	9.56	9.72	-34.86	-13.00	-21.86	H
2508.99	-34.11	10.50	10.86	-34.47	-13.00	-21.47	H
3345.36	-33.39	12.78	11.57	-32.18	-13.00	-19.18	H
1672.13	-35.62	9.56	9.72	-35.78	-13.00	-22.78	V
2508.99	-33.93	10.50	10.86	-34.29	-13.00	-21.29	V
3345.36	-32.89	12.78	11.57	-31.68	-13.00	-18.68	V
LTE Band 5 / 5MHz / QPSK / RB Size 1 Offset 0/ The Worst Test Results for Highest							
Frequency(MHz)	S G.Lev (dBm)	Ant(dBi)	Loss	PMea	Limit	Margin	Polarity
				(dBm)	(dBm)	(dBm)	
1692.33	-34.00	9.56	9.72	-34.16	-13.00	-21.16	H
2539.04	-35.23	10.50	10.86	-35.59	-13.00	-22.59	H
3385.67	-32.26	12.78	11.57	-31.05	-13.00	-18.05	H
1692.33	-35.56	9.56	9.72	-35.72	-13.00	-22.72	V
2539.04	-34.97	10.50	10.86	-35.33	-13.00	-22.33	V
3385.67	-32.31	12.78	11.57	-31.10	-13.00	-18.10	V



LTE Band 5 / 10MHz / QPSK / RB Size 1 Offset 0/ The Worst Test Results for Lowest							
Frequency(MHz)	S G.Lev (dBm)	Ant(dBi)	Loss	PMea	Limit	Margin	Polarity
				(dBm)	(dBm)	(dBm)	
1657.72	-34.13	9.56	9.72	-34.29	-13.00	-21.29	H
2486.45	-34.36	10.50	10.86	-34.72	-13.00	-21.72	H
3315.31	-32.97	12.78	11.57	-31.76	-13.00	-18.76	H
1657.72	-35.48	9.56	9.72	-35.64	-13.00	-22.64	V
2486.45	-34.52	10.50	10.86	-34.88	-13.00	-21.88	V
3315.31	-32.91	12.78	11.57	-31.70	-13.00	-18.70	V
LTE Band 5 / 10MHz / QPSK / RB Size 1 Offset 0/ The Worst Test Results for Middle							
Frequency(MHz)	S G.Lev (dBm)	Ant(dBi)	Loss	PMea	Limit	Margin	Polarity
				(dBm)	(dBm)	(dBm)	
1672.20	-34.30	9.56	9.72	-34.46	-13.00	-21.46	H
2508.90	-33.99	10.50	10.86	-34.35	-13.00	-21.35	H
3345.23	-32.67	12.78	11.57	-31.46	-13.00	-18.46	H
1672.20	-34.76	9.56	9.72	-34.92	-13.00	-21.92	V
2508.90	-34.92	10.50	10.86	-35.28	-13.00	-22.28	V
3345.23	-31.90	12.78	11.57	-30.69	-13.00	-17.69	V
LTE Band 5 / 10MHz / QPSK / RB Size 1 Offset 0/ The Worst Test Results for Highest							
Frequency(MHz)	S G.Lev (dBm)	Ant(dBi)	Loss	PMea	Limit	Margin	Polarity
				(dBm)	(dBm)	(dBm)	
1687.73	-34.14	9.56	9.72	-34.30	-13.00	-21.30	H
2531.54	-35.10	10.50	10.86	-35.46	-13.00	-22.46	H
3375.45	-32.30	12.78	11.57	-31.09	-13.00	-18.09	H
1687.73	-35.29	9.56	9.72	-35.45	-13.00	-22.45	V
2531.54	-34.87	10.50	10.86	-35.23	-13.00	-22.23	V
3375.45	-32.22	12.78	11.57	-31.01	-13.00	-18.01	V



LTE Band 7 / 5MHz / QPSK / RB Size 1 Offset 0/ The Worst Test Results for Lowest							
Frequency(MHz)	S G.Lev (dBm)	Ant(dBi)	Loss	PMea	Limit	Margin	Polarity
				(dBm)	(dBm)	(dBm)	
5005.30	-33.60	12.66	15.86	-36.80	-25.00	-11.80	H
7507.55	-34.03	11.46	19.28	-41.85	-25.00	-16.85	H
10010.28	-32.93	12.79	23.19	-43.33	-25.00	-18.33	H
5005.30	-35.88	12.66	15.86	-39.08	-25.00	-14.08	V
7507.55	-34.24	11.46	19.28	-42.06	-25.00	-17.06	V
10010.28	-31.99	12.79	23.19	-42.39	-25.00	-17.39	V
LTE Band 7 / 5MHz / QPSK / RB Size 1 Offset 0/ The Worst Test Results for Middle							
Frequency(MHz)	S G.Lev (dBm)	Ant(dBi)	Loss	PMea	Limit	Margin	Polarity
				(dBm)	(dBm)	(dBm)	
5069.86	-33.60	12.72	15.86	-36.74	-25.00	-11.74	H
7604.76	-34.95	11.46	19.28	-42.77	-25.00	-17.77	H
10139.70	-33.19	12.09	23.19	-44.29	-25.00	-19.29	H
5069.86	-35.05	12.72	15.86	-38.19	-25.00	-13.19	V
7604.76	-34.15	11.46	19.28	-41.97	-25.00	-16.97	V
10139.70	-32.65	12.09	23.19	-43.75	-25.00	-18.75	V
LTE Band 7 / 5MHz / QPSK / RB Size 1 Offset 0/ The Worst Test Results for Highest							
Frequency(MHz)	S G.Lev (dBm)	Ant(dBi)	Loss	PMea	Limit	Margin	Polarity
				(dBm)	(dBm)	(dBm)	
5133.81	-33.73	12.76	15.86	-36.83	-25.00	-11.83	H
7701.43	-35.45	11.45	19.28	-43.28	-25.00	-18.28	H
10268.50	-33.53	12.28	23.19	-44.44	-25.00	-19.44	H
5133.81	-35.39	12.76	15.86	-38.49	-25.00	-13.49	V
7701.43	-33.79	11.45	19.28	-41.62	-25.00	-16.62	V
10268.50	-32.07	12.28	23.19	-42.98	-25.00	-17.98	V



LTE Band 7 / 10MHz / QPSK / RB Size 1 Offset 0/ The Worst Test Results for Lowest							
Frequency(MHz)	S G.Lev (dBm)	Ant(dBi)	Loss	PMea	Limit	Margin	Polarity
				(dBm)	(dBm)	(dBm)	
5010.01	-34.12	12.66	15.86	-37.32	-25.00	-12.32	H
7515.60	-34.12	11.46	19.28	-41.94	-25.00	-16.94	H
10020.70	-33.20	12.79	23.19	-43.60	-25.00	-18.60	H
5010.01	-34.71	12.66	15.86	-37.91	-25.00	-12.91	V
7515.60	-34.39	11.46	19.28	-42.21	-25.00	-17.21	V
10020.70	-32.78	12.79	23.19	-43.18	-25.00	-18.18	V
LTE Band 7 / 10MHz / QPSK / RB Size 1 Offset 0/ The Worst Test Results for Middle							
Frequency(MHz)	S G.Lev (dBm)	Ant(dBi)	Loss	PMea	Limit	Margin	Polarity
				(dBm)	(dBm)	(dBm)	
5069.65	-34.42	12.72	15.86	-37.56	-25.00	-12.56	H
7604.72	-34.72	11.46	19.28	-42.54	-25.00	-17.54	H
10139.86	-32.38	12.09	23.19	-43.48	-25.00	-18.48	H
5069.65	-35.20	12.72	15.86	-38.34	-25.00	-13.34	V
7604.72	-34.86	11.46	19.28	-42.68	-25.00	-17.68	V
10139.86	-31.74	12.09	23.19	-42.84	-25.00	-17.84	V
LTE Band 7 / 10MHz / QPSK / RB Size 1 Offset 0/ The Worst Test Results for Highest							
Frequency(MHz)	S G.Lev (dBm)	Ant(dBi)	Loss	PMea	Limit	Margin	Polarity
				(dBm)	(dBm)	(dBm)	
5128.97	-33.78	12.76	15.86	-36.88	-25.00	-11.88	H
7693.91	-34.75	11.45	19.28	-42.58	-25.00	-17.58	H
10258.78	-32.89	12.28	23.19	-43.80	-25.00	-18.80	H
5128.97	-35.87	12.76	15.86	-38.97	-25.00	-13.97	V
7693.91	-34.07	11.45	19.28	-41.90	-25.00	-16.90	V
10258.78	-32.40	12.28	23.19	-43.31	-25.00	-18.31	V



LTE Band 7 / 15MHz / QPSK / RB Size 1 Offset 0/ The Worst Test Results for Lowest							
Frequency(MHz)	S G.Lev (dBm)	Ant(dBi)	Loss	PMea	Limit	Margin	Polarity
				(dBm)	(dBm)	(dBm)	
5015.77	-34.63	12.66	15.86	-37.83	-25.00	-12.83	H
7524.06	-34.87	11.46	19.28	-42.69	-25.00	-17.69	H
10031.51	-33.25	12.79	23.19	-43.65	-25.00	-18.65	H
5015.77	-36.00	12.66	15.86	-39.20	-25.00	-14.20	V
7524.06	-34.00	11.46	19.28	-41.82	-25.00	-16.82	V
10031.51	-32.43	12.79	23.19	-42.83	-25.00	-17.83	V
LTE Band 7 / 15MHz / QPSK / RB Size 1 Offset 0/ The Worst Test Results for Middle							
Frequency(MHz)	S G.Lev (dBm)	Ant(dBi)	Loss	PMea	Limit	Margin	Polarity
				(dBm)	(dBm)	(dBm)	
5069.61	-34.11	12.72	15.86	-37.25	-25.00	-12.25	H
7605.05	-35.44	11.46	19.28	-43.26	-25.00	-18.26	H
10139.57	-32.89	12.09	23.19	-43.99	-25.00	-18.99	H
5069.61	-35.28	12.72	15.86	-38.42	-25.00	-13.42	V
7605.05	-34.62	11.46	19.28	-42.44	-25.00	-17.44	V
10139.57	-31.98	12.09	23.19	-43.08	-25.00	-18.08	V
LTE Band 7 / 15MHz / QPSK / RB Size 1 Offset 0/ The Worst Test Results for Highest							
Frequency(MHz)	S G.Lev (dBm)	Ant(dBi)	Loss	PMea	Limit	Margin	Polarity
				(dBm)	(dBm)	(dBm)	
5123.39	-34.44	12.76	15.86	-37.54	-25.00	-12.54	H
7523.78	-34.66	11.45	19.28	-42.49	-25.00	-17.49	H
10032.18	-32.56	12.28	23.19	-43.47	-25.00	-18.47	H
5123.39	-34.76	12.76	15.86	-37.86	-25.00	-12.86	V
7523.78	-34.87	11.45	19.28	-42.70	-25.00	-17.70	V
10032.18	-33.06	12.28	23.19	-43.97	-25.00	-18.97	V



LTE Band 7 / 20MHz / QPSK / RB Size 1 Offset 0/ The Worst Test Results for Lowest							
Frequency(MHz)	S G.Lev (dBm)	Ant(dBi)	Loss	PMea	Limit	Margin	Polarity
				(dBm)	(dBm)	(dBm)	
5020.99	-33.84	12.66	15.86	-37.04	-25.00	-12.04	H
7530.98	-35.48	11.46	19.28	-43.30	-25.00	-18.30	H
10258.85	-32.72	12.79	23.19	-43.12	-25.00	-18.12	H
5020.99	-34.84	12.66	15.86	-38.04	-25.00	-13.04	V
7530.98	-34.42	11.46	19.28	-42.24	-25.00	-17.24	V
10258.85	-33.08	12.79	23.19	-43.48	-25.00	-18.48	V
LTE Band 7 / 20MHz / QPSK / RB Size 1 Offset 0/ The Worst Test Results for Middle							
Frequency(MHz)	S G.Lev (dBm)	Ant(dBi)	Loss	PMea	Limit	Margin	Polarity
				(dBm)	(dBm)	(dBm)	
5070.05	-34.46	12.72	15.86	-37.60	-25.00	-12.60	H
7604.70	-35.23	11.46	19.28	-43.05	-25.00	-18.05	H
10139.86	-33.19	12.09	23.19	-44.29	-25.00	-19.29	H
5070.05	-34.96	12.72	15.86	-38.10	-25.00	-13.10	V
7604.70	-35.21	11.46	19.28	-43.03	-25.00	-18.03	V
10139.86	-32.98	12.09	23.19	-44.08	-25.00	-19.08	V
LTE Band 7 / 20MHz / QPSK / RB Size 1 Offset 0/ The Worst Test Results for Highest							
Frequency(MHz)	S G.Lev (dBm)	Ant(dBi)	Loss	PMea	Limit	Margin	Polarity
				(dBm)	(dBm)	(dBm)	
5118.81	-34.90	12.76	15.86	-38.00	-25.00	-13.00	H
7678.44	-35.28	11.45	19.28	-43.11	-25.00	-18.11	H
10237.56	-32.71	12.28	23.19	-43.62	-25.00	-18.62	H
5118.81	-35.75	12.76	15.86	-38.85	-25.00	-13.85	V
7678.44	-34.69	11.45	19.28	-42.52	-25.00	-17.52	V
10237.56	-31.93	12.28	23.19	-42.84	-25.00	-17.84	V



LTE Band 17 / 5MHz / QPSK / RB Size 1 Offset 0/ The Worst Test Results for Lowest							
Frequency(MHz)	S G.Lev (dBm)	Ant(dBi)	Loss	PMea	Limit	Margin	Polarity
				(dBm)	(dBm)	(dBm)	
1413.17	-33.93	8.17	9.34	-35.10	-13.00	-22.10	H
2120.18	-34.14	9.53	10.42	-35.03	-13.00	-22.03	H
2826.41	-33.63	11.27	11.12	-33.48	-13.00	-20.48	H
1413.17	-35.48	8.17	9.34	-36.65	-13.00	-23.65	V
2120.18	-33.96	9.53	10.42	-34.85	-13.00	-21.85	V
2826.41	-32.06	11.27	11.12	-31.91	-13.00	-18.91	V
LTE Band 17 / 5MHz / QPSK / RB Size 1 Offset 0/ The Worst Test Results for Middle							
Frequency(MHz)	S G.Lev (dBm)	Ant(dBi)	Loss	PMea	Limit	Margin	Polarity
				(dBm)	(dBm)	(dBm)	
1419.85	-34.56	8.17	9.34	-35.73	-13.00	-22.73	H
2129.83	-34.71	9.53	10.42	-35.60	-13.00	-22.60	H
2840.04	-32.84	11.27	11.12	-32.69	-13.00	-19.69	H
1419.85	-34.81	8.17	9.34	-35.98	-13.00	-22.98	V
2129.83	-34.74	9.53	10.42	-35.63	-13.00	-22.63	V
2840.04	-32.65	11.27	11.12	-32.50	-13.00	-19.50	V
LTE Band 17 / 5MHz / QPSK / RB Size 1 Offset 0/ The Worst Test Results for Highest							
Frequency(MHz)	S G.Lev (dBm)	Ant(dBi)	Loss	PMea	Limit	Margin	Polarity
				(dBm)	(dBm)	(dBm)	
1426.15	-34.39	8.17	9.34	-35.56	-13.00	-22.56	H
2139.53	-34.90	9.53	10.42	-35.79	-13.00	-22.79	H
2852.39	-32.18	11.27	11.12	-32.03	-13.00	-19.03	H
1426.15	-34.95	8.17	9.34	-36.12	-13.00	-23.12	V
2139.53	-35.14	9.53	10.42	-36.03	-13.00	-23.03	V
2852.39	-31.84	11.27	11.12	-31.69	-13.00	-18.69	V



LTE Band 17 / 10MHz / QPSK / RB Size 1 Offset 0/ The Worst Test Results for Lowest							
Frequency(MHz)	S G.Lev (dBm)	Ant(dBi)	Loss	PMea	Limit	Margin	Polarity
				(dBm)	(dBm)	(dBm)	
1418.43	-34.50	8.17	9.34	-35.67	-13.00	-22.67	H
2127.39	-35.44	9.53	10.42	-36.33	-13.00	-23.33	H
2836.47	-32.44	11.27	11.12	-32.29	-13.00	-19.29	H
1418.43	-34.99	8.17	9.34	-36.16	-13.00	-23.16	V
2127.39	-34.28	9.53	10.42	-35.17	-13.00	-22.17	V
2836.47	-32.80	11.27	11.12	-32.65	-13.00	-19.65	V
LTE Band 17 / 10MHz / QPSK / RB Size 1 Offset 0/ The Worst Test Results for Middle							
Frequency(MHz)	S G.Lev (dBm)	Ant(dBi)	Loss	PMea	Limit	Margin	Polarity
				(dBm)	(dBm)	(dBm)	
1419.97	-34.91	8.17	9.34	-36.08	-13.00	-23.08	H
2130.10	-34.13	9.53	10.42	-35.02	-13.00	-22.02	H
2840.03	-32.58	11.27	11.12	-32.43	-13.00	-19.43	H
1419.97	-35.29	8.17	9.34	-36.46	-13.00	-23.46	V
2130.10	-34.28	9.53	10.42	-35.17	-13.00	-22.17	V
2840.03	-33.00	11.27	11.12	-32.85	-13.00	-19.85	V
LTE Band 17 / 10MHz / QPSK / RB Size 1 Offset 0/ The Worst Test Results for Highest							
Frequency(MHz)	S G.Lev (dBm)	Ant(dBi)	Loss	PMea	Limit	Margin	Polarity
				(dBm)	(dBm)	(dBm)	
1421.31	-34.49	8.17	9.34	-35.66	-13.00	-22.66	H
2132.12	-34.07	9.53	10.42	-34.96	-13.00	-21.96	H
2842.38	-32.55	11.27	11.12	-32.40	-13.00	-19.40	H
1421.31	-35.69	8.17	9.34	-36.86	-13.00	-23.86	V
2132.12	-34.31	9.53	10.42	-35.20	-13.00	-22.20	V
2842.38	-33.10	11.27	11.12	-32.95	-13.00	-19.95	V

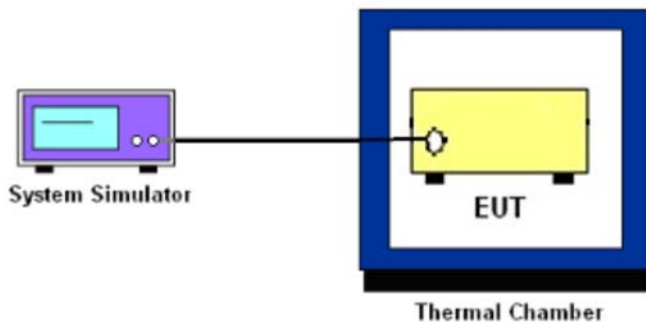
10. FREQUENCY STABILITY

10.1 DESCRIPTION OF FREQUENCY STABILITY MEASUREMENT

10.1.1 MEASUREMENT METHOD

The frequency stability shall be measured by variation of ambient temperature and variation of primary supply voltage to ensure that the fundamental emission stays within the authorized frequency block. The frequency stability of the transmitter shall be maintained within $\pm 0.00025\%$ ($\pm 2.5\text{ppm}$) of the center frequency.

10.1.2 TEST SETUP



10.1.3 TEST PROCEDURES FOR TEMPERATURE VARIATION

1. The EUT was set up in the thermal chamber and connected with the system simulator.
2. With power OFF, the temperature was decreased to -30°C and the EUT was stabilized before testing. Power was applied and the maximum change in frequency was recorded within one minute.
3. With power OFF, the temperature was raised in 10°C step up to 50°C . The EUT was stabilized at each step for at least half an hour. Power was applied and the maximum frequency change was recorded within one minute.

10.1.4 TEST PROCEDURES FOR VOLTAGE VARIATION

1. The testing follows FCC KDB 971168 D01v01r03 Section 9.0.
2. The EUT was placed in a temperature chamber at $25\pm 5^{\circ}\text{C}$ and connected with the system simulator.
3. The power supply voltage to the EUT was varied from 85% to 115% of the nominal value measured at the input to the EUT.
4. The variation in frequency was measured for the worst case.



10.1.5 TEST RESULTS

LTE Band 2 (QPSK) / 1880MHz / BW10M					
Temperature (°C)	Voltage	Freq. Dev.	Freq. Dev.	Limit	Result
	(Volt)	(Hz)	(ppm)		
50	Normal Voltage	12.02	0.006	2.5ppm	PASS
40		28.01	0.015		
30		20.44	0.011		
20		12.37	0.007		
10		15.42	0.008		
0		30.89	0.016		
-10		18.30	0.010		
-20		29.36	0.016		
-30		16.50	0.009		
20		Maximum Voltage	23.87		
20	BEP	19.21	0.010		

LTE Band 2 (QPSK) / 1880MHz / BW20M					
Temperature (°C)	Voltage	Freq. Dev.	Freq. Dev.	Limit	Result
	(Volt)	(Hz)	(ppm)		
50	Normal Voltage	30.85	0.016	2.5ppm	PASS
40		30.07	0.016		
30		32.00	0.017		
20		26.89	0.014		
10		34.25	0.018		
0		33.14	0.018		
-10		36.13	0.019		
-20		29.36	0.016		
-30		14.57	0.008		
20		Maximum Voltage	29.02		
20	BEP	17.26	0.009		



LTE Band 4 (QPSK) / 1733MHz / BW10M					
Temperature (°C)	Voltage	Freq. Dev.	Freq. Dev.	Limit	Result
	(Volt)	(Hz)	(ppm)		
50	Normal Voltage	23.82	0.014	2.5ppm	PASS
40		23.68	0.014		
30		15.89	0.009		
20		36.10	0.021		
10		34.80	0.020		
0		35.88	0.021		
-10		32.07	0.019		
-20		15.03	0.009		
-30		32.47	0.019		
20		Maximum Voltage	23.05		
20	BEP	12.26	0.007		

LTE Band 4 (QPSK) / 1733MHz / BW20M					
Temperature (°C)	Voltage	Freq. Dev.	Freq. Dev.	Limit	Result
	(Volt)	(Hz)	(ppm)		
50	Normal Voltage	N/A	0.000	2.5ppm	PASS
40		N/A	0.000		
30		N/A	0.000		
20		N/A	0.000		
10		N/A	0.000		
0		N/A	0.000		
-10		N/A	0.000		
-20		N/A	0.000		
-30		N/A	0.000		
20		Maximum Voltage	N/A		
20	BEP	N/A	0.000		



LTE Band 5 (QPSK) / 836.5MHz / BW5M					
Temperature (°C)	Voltage	Freq. Dev.	Freq. Dev.	Limit	Result
	(Volt)	(Hz)	(ppm)		
50	Normal Voltage	18.43	0.026	2.5ppm	PASS
40		14.95	0.021		
30		13.22	0.019		
20		27.14	0.038		
10		25.00	0.035		
0		22.01	0.031		
-10		24.85	0.003		
-20		24.70	0.035		
-30		30.85	0.043		
20		Maximum Voltage	34.46		
20	BEP	33.66	0.047		

LTE Band 5 (QPSK) / 836.5MHz / BW10M					
Temperature (°C)	Voltage	Freq. Dev.	Freq. Dev.	Limit	Result
	(Volt)	(Hz)	(ppm)		
50	Normal Voltage	33.39	0.047	2.5ppm	PASS
40		12.06	0.017		
30		28.66	0.040		
20		33.60	0.047		
10		35.51	0.050		
0		34.85	0.049		
-10		34.99	0.005		
-20		15.97	0.022		
-30		15.31	0.022		
20		Maximum Voltage	26.16		
20	BEP	28.51	0.040		



LTE Band 7 (QPSK) / 2535MHz / BW10M					
Temperature (°C)	Voltage	Freq. Dev.	Freq. Dev.	Limit	Result
	(Volt)	(Hz)	(ppm)		
50	Normal Voltage	17.77	0.007	2.5ppm	PASS
40		16.96	0.007		
30		34.73	0.014		
20		17.72	0.007		
10		21.05	0.008		
0		27.65	0.011		
-10		12.29	0.005		
-20		29.91	0.012		
-30		28.18	0.011		
20		Maximum Voltage	17.51		
20	BEP	34.02	0.013		

LTE Band 7 (QPSK) / 2535MHz / BW20M					
Temperature (°C)	Voltage	Freq. Dev.	Freq. Dev.	Limit	Result
	(Volt)	(Hz)	(ppm)		
50	Normal Voltage	25.66	0.010	2.5ppm	PASS
40		30.01	0.012		
30		29.87	0.012		
20		12.95	0.005		
10		28.29	0.011		
0		30.12	0.012		
-10		25.17	0.010		
-20		19.08	0.008		
-30		25.80	0.010		
20		Maximum Voltage	27.84		
20	BEP	21.12	0.008		



LTE Band 17 (QPSK) / 710MHz / BW5M					
Temperature (°C)	Voltage	Freq. Dev.	Freq. Dev.	Limit	Result
	(Volt)	(Hz)	(ppm)		
50	Normal Voltage	15.81	0.022	2.5ppm	PASS
40		25.24	0.036		
30		35.51	0.050		
20		22.91	0.032		
10		24.15	0.034		
0		11.64	0.016		
-10		15.06	0.002		
-20		31.99	0.045		
-30		15.25	0.021		
20		Maximum Voltage	13.53		
20	BEP	18.59	0.026		

LTE Band 17 (QPSK) / 710MHz / BW10M					
Temperature (°C)	Voltage	Freq. Dev.	Freq. Dev.	Limit	Result
	(Volt)	(Hz)	(ppm)		
50	Normal Voltage	15.93	0.022	2.5ppm	PASS
40		14.79	0.021		
30		17.62	0.025		
20		11.89	0.017		
10		14.97	0.021		
0		36.13	0.051		
-10		17.01	0.002		
-20		13.83	0.019		
-30		22.76	0.032		
20		Maximum Voltage	19.97		
20	BEP	15.47	0.022		



APPENDIX-PHOTOS OF TEST SETUP

Note: See test photos in setup photo document for the actual connections between Product and support equipment.

*****END OF THE REPORT*****

