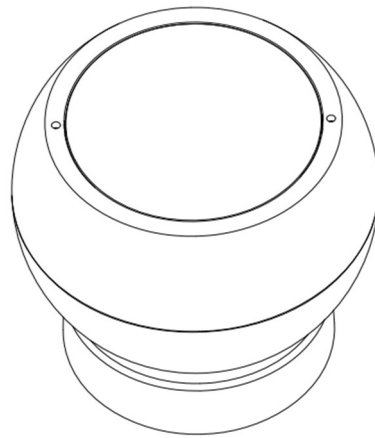


MultiSensor

User Manual

AMZ02



Key Features:

- » Z-Wave 800 series design, support Z-wave LR and compatible with Z-Wave Mesh
- » 1 mile under LR mode, up to 200 feet under Z-wave mesh mode
- » Automate your home intelligently by 3 essential pieces of environment data measurement
- » Up to 8 meters infrared detecting distance, and wide angle range of 120°
- » Supports more preprogrammed applications
- » Low Battery Indication
- » Good to install on wall, intended for residential as well as commercial applications

Physical Characteristics

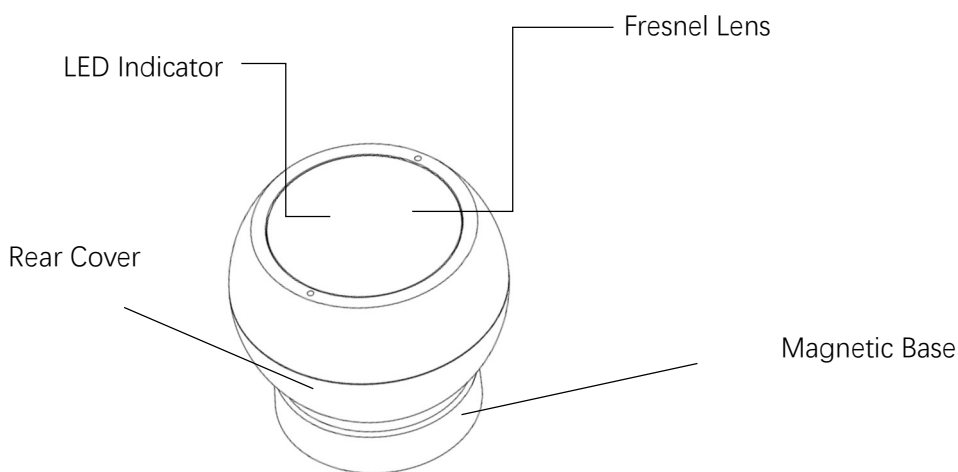


Figure 1

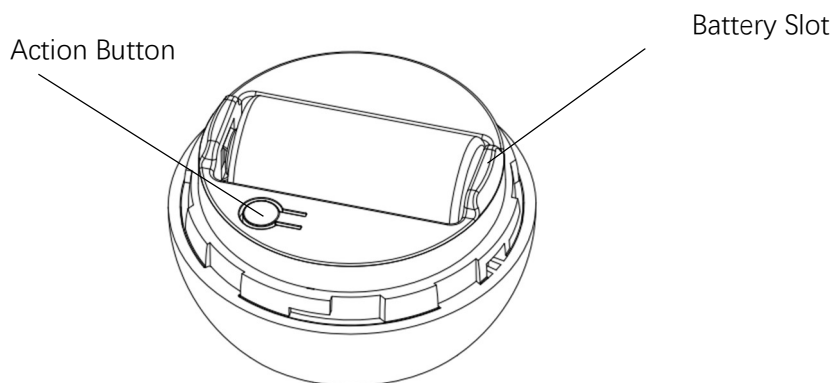


Figure 2

Optimally Installing MultiSensor

MultiSensor has been designed to be mounted on the coner of the wall indoors. To optimally install it, please note the following.

- MultiSensor should NOT be installed in areas of artificial temperature change that would impact the accuracy of the sensors. When selecting a location, avoid placing it beside or near air conditioners, humidifiers, and heaters, and avoid positioning it directly opposite a window or direct sunlight.
- For optimal performance, your MultiSensor should NOT be mounted directly on or near metal framing or other large metallic objects. Large metal objects may weaken the Z-Wave wireless signal.
- Ensure there're no obstacles in front of the lens of MultiSensor. Otherwise, the detection result may be inaccurate.
- Install MultiSensor where persons may be detected to cross. The double sided tape and screws are optional to be used to fix the Magnetic Base on the wall. Recommend to place the sensor approx 2.5 meters above the ground. As shown on below figure 3 and figure 4.

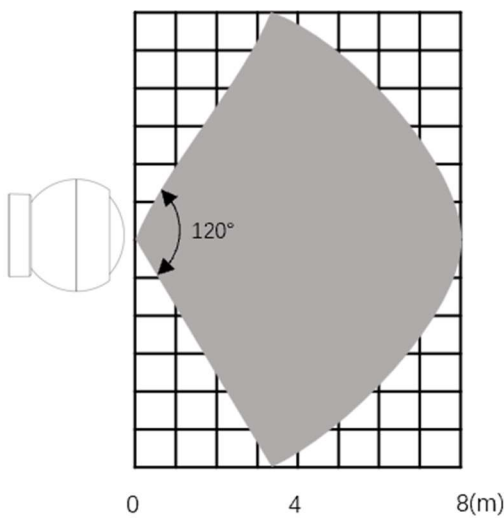


Figure 3

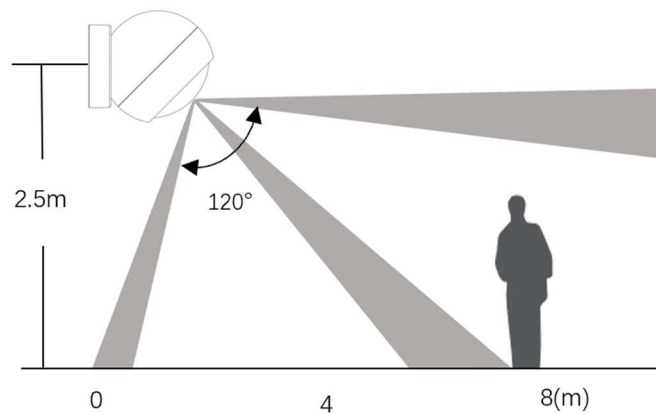


Figure 4

Power MultiSensor

- Turn the Rear Cover counter-clockwise and open it.
- Place the CR123A battery in the battery slot to power on your MultiSensor, pay attention to the positive and negative polars. When MultiSensor is powered on, The LED will be colorful gradient alternately for 2 cycles and then off when not connected to a Z-Wave Controller upon initial power.

Adding(Inclusion)

Follow the instructions for your Z-Wave Certified Controller adding inclusion mode. When prompted by the controller.

1. The MultiSensor should be within 10' of your Z-Wave controller for the inclusion process. After successful pairing, the device can be brought to the desired location.
2. Set the main controller into (security/non-security) adding mode (see the controller' s manual).
3. Press the Action Button 3 times for device inclusion. The LED Indicator will flash green five times indicating inclusion successful, then it fails to be included, you need to repeat the above process.
4. If your Z-Wave gateway support SmartStart: scan the QR code on MultiSensor using the gateway' s app. Your sensor will join your Z-Wave network automatically.

Removing (Exclusion)

Follow the instructions for your Z-Wave Certified Control enter exclusion mode. When prompted by the controller.

1. Remove the Rear Cover.
2. Set the controller into Removing mode (see the controller's manual).
3. Press the Action Button quickly 3 times in a row. The LED Indicator will blink red 5 times and then off indicating exclusion successful.

Resetting the MultiSensor

If needed, the MultiSensor can be reset locally by following these steps. Only do this when your Z-Wave controller is disconnected or otherwise unreachable. Beware that resetting your device will disconnect it from the system.

1. Remove the Rear Cover and confirm that your MultiSensor is powered on.
2. Press and hold Action Button for 12 seconds then release. A flashing light with red and green two colors alternately in 5 seconds indicates a successful factory reset.
3. The MultiSensor's memory will be erased to factory settings.

Waking Up the MultiSensor

MultiSensor is a battery powered device, it wakes up on regular intervals to give battery and other status updates to the controller, as well as to accept configuration settings from the controller. This helps to extend the battery life. The device can be forced to wake up to submit these reports or accept new settings immediately by simply pressing and holding the Action Button for three seconds. The LED Indicator will flash blue once indicating successful wake up.

Warranty.

The Warranty is provided by Ally (hereinafter "Manufacture"). The Manufacture warrants devices to be free from manufacturing defects for a period of 12 months from the original date of consumer purchase. In line with the terms of sales between the Manufacture and the authorized importer / reseller of this device, any claims against the foregoing warranty are to be handled by the authorized distributor / reseller directly. The foregoing warranty is subject to the proper installation, operation, and maintenance of the device in accordance with installation instructions and the operating manual supplied to customer and further documentation made available digitally. The Manufacture does not warrant against normal wear and tear, nor damage caused by accident or abuse. Please be sure to read this device's support notes, digital materials, and quick start guide fully. Subject to the full terms of obtaining service within 30 days of the manifestation of a problem, if you submit a valid claim under this warranty, the Manufacture shall provide further information in obtaining warranty services from the authorized importer and / or seller of this device.

Declaration of Conformity.

MultiSensor is in compliance with the essential requirements and other relevant provisions of RED 2014/53/EU, RoHS 2011/65/EU, IEC62321:2008 and EN50581:2012.

FCC Caution:

This device complies with part 15 of the FCC Rules. Operation is subject to the following two conditions: (1) this device may not cause harmful interference, and (2) this device must accept any interference received, including interference that may cause undesired operation.

Any changes or modifications not expressly approved by the party responsible for compliance could void the user's authority to operate the equipment.

NOTE: This equipment has been tested and found to comply with the limits for a Class B digital device, pursuant to Part 15 of the FCC Rules. These limits are designed to provide reasonable protection against harmful interference in a residential installation. This equipment generates, uses and can radiate radio frequency energy and, if not installed and used in accordance with the instructions, may cause harmful interference to radio communications. However, there is no guarantee that interference will not occur in a particular installation.

If this equipment does cause harmful interference to radio or television reception, which can be determined by turning the equipment off and on, the user is encouraged to try to correct the interference by one or more of the following measures:

- Reorient or relocate the receiving antenna.
- Increase the separation between the equipment and receiver.
- Connect the equipment into an outlet on a circuit different from that to which the receiver is connected.
- Consult the dealer or an experienced radio/TV technician for help.

To maintain compliance with FCC's RF Exposure guidelines, This equipment should be installed and operated with minimum distance between 20cm the radiator your body: Use only the supplied antenna.