



720P

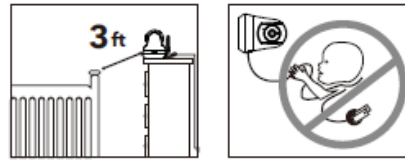
→ ENGLISH

## CONTENTS

<b>SAFETY INSTRUCTIONS</b>	02
<b>CAUTION</b>	02
<b>PACKAGE CONTENTS</b>	03
<b>PRODUCT OVERVIEW</b>	04
<b>GETTING STARTED</b>	07
1. Charging & Powering Baby Monitor	06
2. Powering Camera	06
3. Pairing the Baby Monitor & the Camera	06
4. Placing the Camera	08
5. Wall Mounting Camera	09
<b>FUNCTIONS &amp; OPERATIONS</b>	10
Status Icons	10
Notifications Icons	10
1. Lullaby	11
2. Talkback	11
3. Volume	11
4. Brightness	12
5. VOX	13
6. Feeding Reminder	13
7. Add A New Camera	14
8. Deleting A Camera	15
9. Selecting a Camera & Scanning Cameras	16
10. View Camera	16
11. LCD Screen Off	17
12. Settings	18
<b>SPECIFICATIONS</b>	23
<b>TROUBLESHOOTING</b>	25
<b>WARRANTY &amp; CUSTOMER SERVICE</b>	26
<b>FCC STATEMENT</b>	27
<b>WEEE COMPLIANCE</b>	29

## SAFETY INSTRUCTIONS

- Strangulation Hazard—Children have STRANGLED in cords. Keep this cord out of the reach of children (more than 3 ft (0.9 m) away).



- NEVER place the camera or cord in or near the crib or playpen.
- NEVER mount the camera directly above the crib or playpen to avoid the risk of injury.
- Only use the AC adapters provided.
- Never use the unit near water, including near a bathtub, sink, laundry machine tubs, wet basement, etc.
- Do not install near any heat sources such as radiators, heat registers, stoves, or other devices that produce heat.
- Only use attachments and accessories specified by the manufacturer.
- Unplug this device when unused for long periods of time.

## CAUTION

- NOT toys. Do not allow children to play with them.
- This product is NOT intended to replace the proper supervision of children. You MUST check your child's activity regularly.
- This product is not intended for use as a medical camera and its use should not replace adult supervision.
- Unplug the product during lightning storms.
- Please check the operating range and condition of the camera carefully at the initial installation, and on a regular basis after that.
- Check the reception regularly. Test the camera before use and after

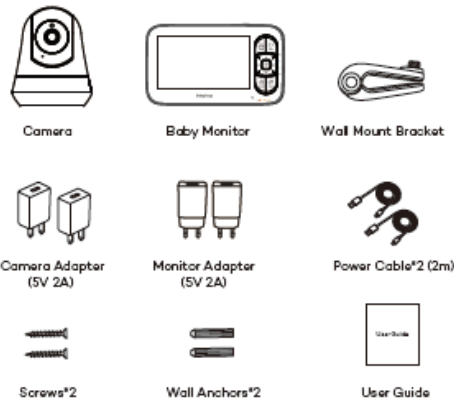
01

02

changing the camera's location.

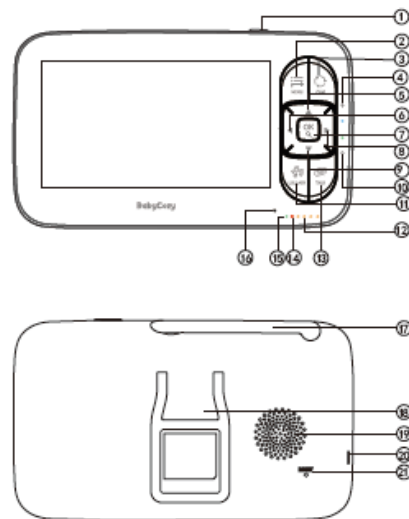
- For indoor use only.
- Clean the camera with a dry cloth only.
- Do not block any ventilation openings.
- Microphone feedback might occur when the monitor is too close to the camera. Please keep them at least 1.5m / 4.9ft apart.

## PACKAGE CONTENTS



## PRODUCT OVERVIEW

### Baby Monitor



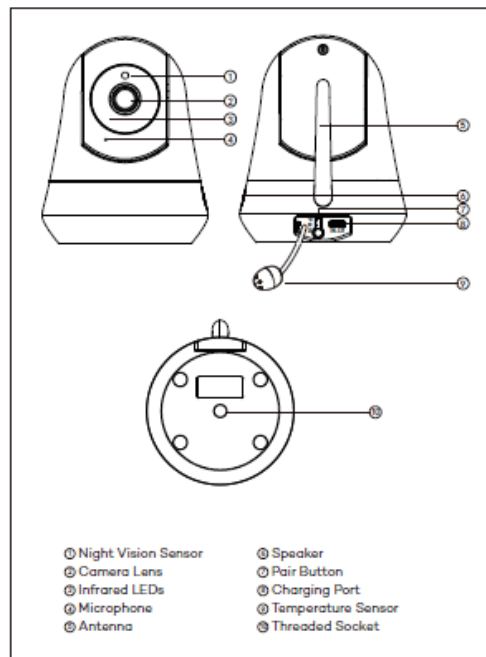
03

04

- Ⓚ Power On/Off & LCD On/Off: Long press to turn on/off the monitor. Short press to turn on/off the LCD screen.
- Ⓚ Menu: Press to enter/exit the menu.
- Ⓚ Camera Switch: Press to switch to another camera if connected with two or more cameras.
- Ⓚ Charging indicator light: The monitor emits a blue light when charging, and turns off when fully charged.
- Ⓚ Up Button: Press to move the camera upward or to change your selection upward.
- Ⓚ Left Button: Press to move the camera leftward or to change your selection leftward.
- Ⓚ Confirm/Zoom Button: Press to zoom in/out or to confirm your selection.
- Ⓚ Right Button: Press to move the camera rightward or change your selection rightward.
- Ⓚ Down Button: Press to move the camera downward or change your selection downward.
- Ⓚ Power Indicator: The green light turns on if connected to electricity.
- Ⓚ Lullaby: Press to select your desired lullaby song.
- Ⓚ Sound Level Indicator: Low/high level shows low/high sound detected by the camera.
- Ⓚ Talk: Press to talk to your baby.
- Ⓚ Low battery indicator: when the monitor is in low battery state, the red light flashes.
- Ⓚ Monitoring Status Indicator: Green. When the camera is disconnected, it flashes slowly; when it enters pairing mode, it flashes quickly; when the camera is turned on, it remains steady.
- Ⓚ Microphone.
- Ⓚ Antenna.
- Ⓚ Stand.
- Ⓚ Speaker.
- Ⓚ Charging Port.
- Ⓚ Reset Hole.

05

## Camera



06

## GETTING STARTED

### 1. Charging & Powering Baby Monitor

- 1) Connect the monitor adapter to the monitor and a power outlet.
- 2) Unplug the unit when its power indicator turns off, indicating a full charge. Unplug the unit after fully charging the monitor, which can prolong the lifespan of the device.

### 2. Powering Camera

- 1) Connect the camera to power source via the Type-C cable and camera adapter.



- Only use the power adapters provided.
- Do not place the camera and power cord within the reach of your baby.

### 3. Pairing the Baby Monitor & the Camera

Based on default setting, one camera is paired with the monitor. When you power on the monitor and camera, the two will automatically pair.

#### Adding a new camera to the baby monitor

##### Step 1:

1. Press to enter menu page.
2. Choose and press button.



##### Step 2:

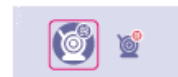
1. Select then press button.



07

##### Step 3:

1. Select and press button three times.



##### Step 4:

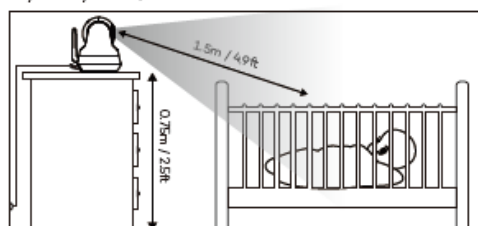
1. Press PAIR button on the rear of the camera.
2. Then the monitor will auto-pair with the camera.



- Once they're paired successfully, the camera number with icon will be shown at the top left.
- It is recommended to pair in the baby's room, or wherever you intend to place the camera.
- High-pitched noises might occur when the monitor is too close to the camera. Please keep them at least 1.5m / 4.9ft apart.
- The monitor can connect up to 4 cameras at once.

### 4. Placing the Camera

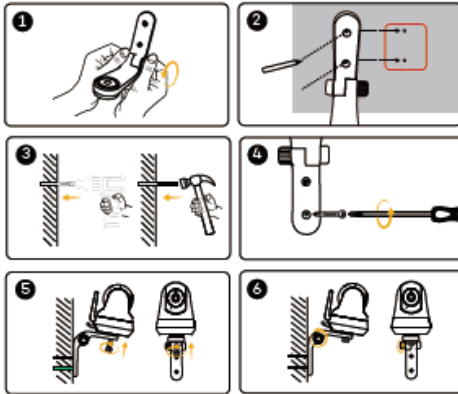
For safety concerns and better vision in night vision mode, if the camera is placed on a 0.75m / 2.5ft table top, the distance from the baby is at least 1.5m / 4.9ft. (The baby monitor has an infrared night vision capacity up to 6m / 19.7ft). Most importantly, make sure that the camera power cord is out of your baby's reach.)



08

### 5. Wall Mounting Camera

- 1) Rotate the knob in anticlockwise direction to adjust the wall mount bracket, then fasten the joint and secure the angle.
- 2) Mark the upper and bottom holes with a pencil.
- 3) Drill holes on the wall and insert wall anchors into holes with a hammer.
- 4) Fasten the wall mount bracket with screws.
- 5) Place the camera on the wall mount bracket. Tighten the screw into the threaded socket at the bottom to secure the camera.
- 6) You can maximize your camera unit's viewing angles by tilting the wall mount bracket. Tilt your camera up or down to adjust to your preferred angle.



⚡ Don't release the camera until it is firmly mounted.

09

## FUNCTIONS & OPERATIONS

### Status Icons

	No Signal
	Signal strength
	Cycle Cameras Enabled (rotate every 10 seconds)
	Camera
12:08:06	Current Time
	Lullabies Enabled
	Sleep Mode
	Voice Activated Alert
	Temperature Alarm
	Feeding Reminder
	Screen Mute
	Night Vision Mode
	Zoom Level Control (2X)
	Zoom Level Control (4X)
	Current Room Temperature
	Battery Level

### Notifications Icons

	No Camera Connected
	Temperature Alarm
	Feeding Notification

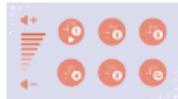
10

⚡ You can use the auto-scan function by short pressing the button until you see on the screen. Then the camera view cycles through the list of connected cameras every 10 seconds. And if there is an alarm, the auto-scan function will pause temporarily.

### 1. Lullaby

#### Use Shortcut Button:

Press to enter the lullaby page. Press buttons to select the lullaby song, buttons to adjust the volume of the lullaby, and press to turn on or off the lullaby. Press to return to the video page.



### 2. Talkback

Press and hold Button to talk to your baby, release it to exit the talking mode.

- When you are in the monitoring mode, press and hold the button to enter the intercom mode, and the icon will be displayed on the monitor. When you enter the menu, the intercom function can still be used, but the icon will not appear on the screen.
- When it's mute or the speaker volume is too low, you may not be able to hear the baby.
- When you're pressing the Button, the camera will not transfer the sound to the monitor. Please release the button to listen to your baby.

11

### 3. Volume

#### Explanation:

You can adjust the volume of your baby's sound from the monitor. The alarm sound cannot be adjusted.

#### Step 1:

1. Choose and press button.



2. Adjust the monitor volume.



⚡ If you need to return to the video page, please press twice or wait 30 seconds to return.

### 4. Brightness

#### Explanation:

This function is used to adjust the screen brightness of the monitor.

#### Step 1:

1. Choose and press button.



12

2. Adjust monitor screen brightness



If you need to return to the video page, please press twice or wait 30 seconds to return.

## 5. VOX

### Explanation:

1. This function is used to wake up the monitor screen and light up. There are three wake-up levels (low/medium/high). When the sound detected by the camera reaches 75dB/70dB/65dB or more, the monitor will wake up and trigger the LED flashing alarm.
2. Set 'off' to turn off the vox function

### Step 1:

1. Press to enter menu page. Choose and press button.



2. Select the option you want. Press button.



If you need to return to the video page, please press twice or wait 30 seconds to return.

13

## 6. Feeding Reminder

### Explanation:

This function is to remind you of feeding your baby. OFF means you turn off the function; 2 hour means it reminds you every 2 hours and so on for the other options.

### Step 1:

1. Press to enter menu page. Choose and press button.



2. Select the time you want. Select OFF to turn off the feeding reminder.



• Selecting will set the reminder to the specified time.  
• If you need to return to the video page, please press twice or wait 30 seconds to return.

## 7. Add A New Camera

### Step 1:

1. Press to enter menu page.
2. Choose and press button.



### Step 2:

1. Select then press button.



### Step 3:

1. Select and press button three times.



### Step 4:

1. Press PAIR button on the rear of the camera.
2. Then The monitor shows the camera is paired successfully.



The monitor can connect up to 4 cameras at once.

## 8. Deleting A Camera

### Step 1:

1. Press to enter menu page. Choose and press button.



2. Select the camera you want to delete. Press button.



### Step 2:

1. Select the right camera icon. Press button twice.



2. As shown in the picture, the camera is deleted.



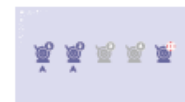
## 9. Selecting a Camera & Scanning Cameras

Note: This function requires more than two cameras to be turned. Multiple cameras are powered on and within the monitor connection range.

### Selecting a Camera

#### Step 1:

1. Confirm that the monitor is connected to more than two cameras.



#### Step 2:

1. Check the camera icons, click to switch to the next camera view.



### Scanning Cameras

#### Step 3:

1. After switching all camera views, click the CAM button again. Then the camera view transits from one to other connected cameras every 10 seconds, displaying a loop icon at the top left of the screen.



15

14

16

Step 4:

1. Click again to stop scanning. Then the camera will switch to single camera view.

## 10. View camera

Note:

This function requires more than two cameras to be turned on. Multiple cameras are powered on and within the monitor connection range.

### Selecting a Camera & Scanning Cameras

Explanation:

This function includes two parts: camera switching & scanning. Select the camera icon, and press to enter the camera selection page. Select the cycle icon and put the monitor into scan mode.

### Split Screen Mode

Explanation:

This function is to display two camera views on a single screen.

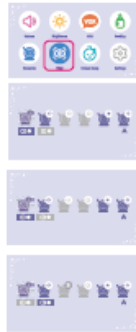
Step 1:

1. Press to enter menu page. Choose and press .

2. Select . press to enter the split screen function camera selection page.

3. Press to select the camera for split screen, press .

4. After selecting the second camera, the monitor automatically jumps to the split screen page.



17

2. Select the function you want.



## Lullabies

Explanation:

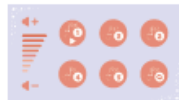
This function is to comfort baby with soothing lullabies.

Step 1:

1. Choose and press .



2. Select the lullaby you want. Select to play the lullabies in a loop.



If you need to return to the video page, please press three times or wait 30 seconds to return.

## Temperature Alarm

Explanation:

indicates that you can set the maximum/minimum temperature and turn on the temperature alert, so that the baby monitor beeps whenever the room temperature detected by the baby unit falls outside of the desired temperature range. You can also choose to display the temperature in Fahrenheit (°F) or Celsius (°C) on your monitor.

19



If you need to return to the video page, please press twice or wait 30 seconds to return.

## 11. LCD Screen Off

Explanation:

This function is to turn off the monitor screen without powering off the monitor.

Step 1:

1. Press to enter menu page. Choose and press .



2. Select the time you want.



The screen will automatically light up if there is a VOX or a temperature alert.  
If you need to return to the video page, please press twice or wait 30 seconds to return.

## 12. Settings

Explanation:

This is a submenu of the function page that enables lullabies and temperature alarms, system sounds, time and date, system language, system reset, and provides service support information.

Step 1:

1. Press to enter menu page. Choose and press .

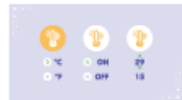


Step 1:

1. Choose and press .



2. Select the option you want. Press .



A VOX / temperature alarm can be temporarily turned off by pressing any button on the monitor.  
If you need to return to the video page, please press three times or wait 30 seconds to return.

## Alarm

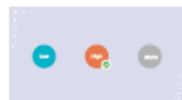
This function is to adjust the monitor system sound.

Step 1:

1. Choose and press .



2. Select the option you want. press .



18

20

- 1 In VOX mode, set " off ", the alarm sound will not be turned off.
- 2 If you need to return to the video page, please press three times or wait 30 seconds to return.

### Date/Time

Step 1:  
1. Choose and press button.



2. stands for finishing the setting.

- Press Up/Down/Left/Right to select and press button to confirm.
- If OSD in ON, the data and time will be displayed on the status bar of the monitor, otherwise, it will not be displayed.
- If you need to return to the video page, please press three times or wait 30 seconds to return.

### Language

There are two languages available in your device, you can choose your language here.

Step 1:  
1. Press to enter menu page. Choose and press button.



21

2. Select the desired your language and press button.



- If you need to return to the video page, please press three times or wait 30 seconds to return.

### Contact Us

Step 1:  
1. Select . Press to enter the interface.



2. Contact Us. Press to return.



- If you need to return to the video page, please press three times or wait 30 seconds to return.

### Factory Reset

Step 1:  
1. Select . Press to enter the interface.



2. Conform YES to reset. Press or conform NO to exit.



22

## SPECIFICATIONS

### Monitor

Resolution	IPS (720 x 1280), PPI=296
Image Aspect	16:9 (HD720P)
Image Compression	H.264 (frame rate = 15fs)
Operating Range	280-300m (antenna vertically placed at 90°) (No interference)
Temperature Alert	Yes
Volume Control	9 levels
Brightness	8 levels
Antenna	Rotatable (max. 90 degree)
Power Input	5V / 1.5A (2.5m long Type-C cable)
Zoom	Zoom In (2X) Zoom In (4X)
Two-Way Talk	Yes
Multi-Camera	Max. 4 cameras
Storage Temperature	-10°C - 55°C / 14 °F - 131°F
Operation Temperature	0°C - 40°C / 32 °F - 104 °F

### Camera

Cmos	720P(1280x720), 1.0M, 1/4"
	2
Image Compression	H.264 (frame rate = 15fs)
Power Input	5V / 1.5A (2.5m long Type-C cable)
Pan-n-Tilt	100 degrees vertical (Up=90°, Down=10°) 360 degrees horizontal (Left=170°, Right=170°)
Zoom	Zoom In (2X) Zoom In (4X)
View Angle	D: 81°, H: 67°, V: 28°
Depth of Field	1.5m to 6m
Night Vision	Black & White image, 2m clear range., up to 6m
IR LED	Non-visible IR LED with wavelength 940nm (x 8 pcs)
Light Sensor	Yes
Two-Way Talk	Yes
Storage Temperature	-10°C - 55°C / 14 °F - 131°F
Operation Temperature	0°C - 40°C / 32 °F - 104 °F

23

24

## TROUBLESHOOTING

Product not powering on?	<ul style="list-style-type: none"> <li>- Check that the camera and monitor are turned on.</li> <li>- Check the camera and make sure it is well plugged into the outlet.</li> <li>- Check that the monitor is of enough battery (When the battery level icon flashes red slowly on the display, it will automatically turn off in about 10 minutes).</li> </ul>
Baby monitor can't connect with the camera?	<ul style="list-style-type: none"> <li>- Check whether the camera is near the monitor (recommended to keep distance within 1.5-2m / 4.9-6.6ft).</li> <li>- Check whether the monitor is of low battery. Charge it in time to keep a good connection.</li> <li>- Check whether the camera is well connected to power.</li> <li>- Check whether there are any large metallic objects including doors, refrigerators, mirrors, etc., placed between the camera and monitor thus blocking the radio signals.</li> <li>- Check, whether there's any other 2.4GHz product, is used nearby like WiFi routers, and microwave ovens, which may interfere with the connection.</li> <li>- If nothing above is involved, please try to pair again.</li> </ul>
Nothing shown when I view a camera?	<ul style="list-style-type: none"> <li>- Check all connections to the camera (power cable plugging and pairing).</li> <li>- Check whether the screen is in sleep mode. Press any button to awake it.</li> <li>- Check whether the camera is within range of the monitor.</li> <li>- Adjust the monitor antenna to a vertical position for better signal transfer.</li> </ul>

No sound from the monitor?	Check whether the system sound volume is set to High or Low. It'll be mute if set so.
Black and white pictures?	Night vision LED may be ON. Please turn on the room lights to force it out of the night mode.
Choppy videos?	<ul style="list-style-type: none"> <li>- Check whether the camera is near the monitor and that there're no obstacles between them.</li> <li>- Adjust the monitor antenna to a vertical position for better signal transfer.</li> </ul>
Too much noise?	<ul style="list-style-type: none"> <li>- Volume may be set too high. Press Shortcut Button -&gt; Left Button to volume down.</li> <li>- The camera and monitor may be put too close; keep them at least 1.5m / 4.9ft apart.</li> </ul>

## WARRANTY & CUSTOMER SERVICE

12 months warranty  
Lifetime customer service (contacts on the monitor, or back cover of this User Guide)



#### FCC Statement

Changes or modifications not expressly approved by the party responsible for compliance could void the user's authority to operate the equipment.

This equipment has been tested and found to comply with the limits for a Class B digital device, pursuant to Part 15 of the FCC Rules. These limits are designed to provide reasonable protection against harmful interference in a residential installation. This equipment generates uses and can radiate radio frequency energy and, if not installed and used in accordance with the instructions, may cause harmful interference to radio communications. However, there is no guarantee that interference will not occur in a particular installation. If this equipment does cause harmful interference to radio or television reception, which can be determined by turning the equipment off and on, the user is encouraged to try to correct the interference by one or more of the following measures:

- Reorient or relocate the receiving antenna.
- Increase the separation between the equipment and receiver.
- Connect the equipment into an outlet on a circuit different from that to which the receiver is connected.
- Consult the dealer or an experienced radio/TV technician for help

This device complies with part 15 of the FCC rules. Operation is subject to the following two conditions (1) this device may not cause harmful interference, and (2) this device must accept any interference received, including interference that may cause undesired operation.

This equipment complies with FCC radiation exposure limits set forth for an uncontrolled environment.