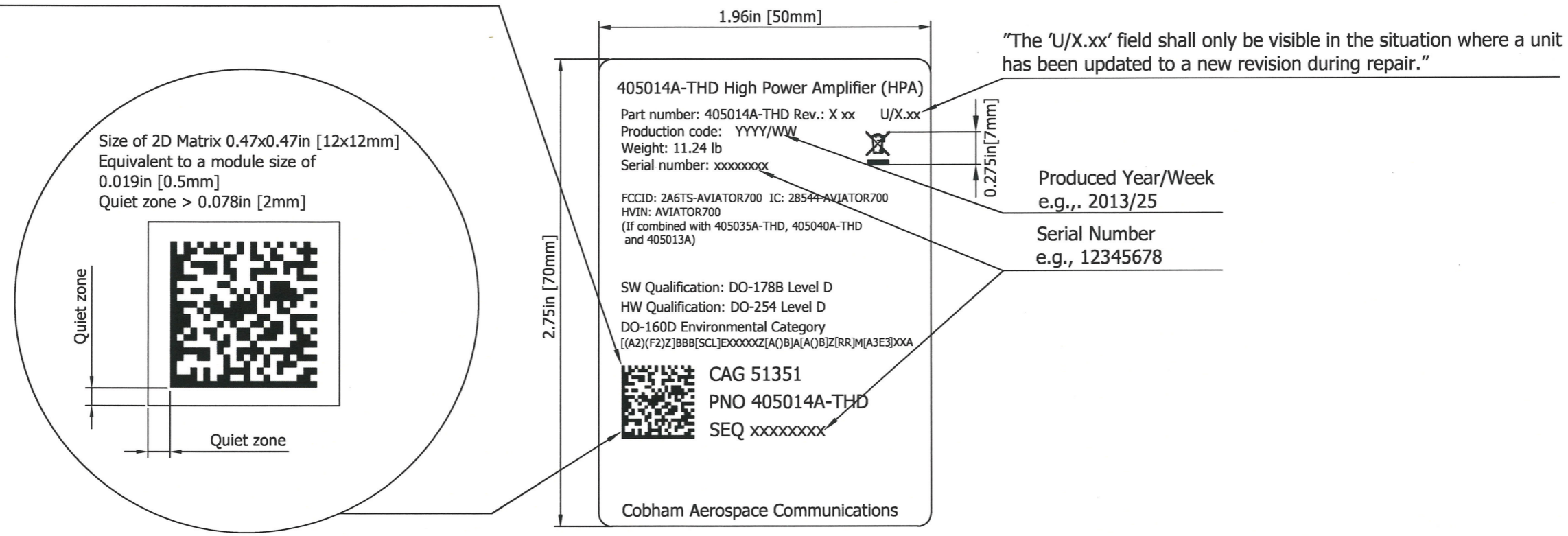


REVISIONS					
REV	DESCRIPTION	DATE	DRAWN	CHECKED	APPROVED
G	REVISED PER ECN 22-052	06/22/22	<i>[Signature]</i>	<i>[Signature]</i>	<i>JC Jensen</i>

In accordance with MIL-STD-130 assign 2D Label code content:  
 []>«RS»12«GS»CAG 51351«GS»PNO 405014A-THD«GS»SEQ 12345678«RS»«EOT»  
 Use only one space separator after CAG, PNO & SEQ.  
 The Record Separator («RS») is replaced by ASCII code 30  
 The Group Separator («GS») is replaced by ASCII code 29  
 End Of Transmission («EOT») is replaced by ASCII code 04  
 In front of SEQ incorporate the 8 digit Unit Serial Number.  
 2D Label Symbology: Data Matrix ECC200



NOTES:

- Material  
Part no. 48-127517  
1.96" [50mm] x 2.74" [70mm]  
Black polyester, luminous VOID
- All dimensions and notes are for reference only.
- Label color is black, txt and 2D barcode are inverted.
- Label outline/font size is not to scale.

		THESE COMMODITIES, TECHNOLOGY OR SOFTWARE ARE CONTROLLED IN ACCORDANCE WITH THE UNITED STATES EXPORT ADMINISTRATION REGULATIONS. WHEN EXPORTED FROM THE UNITED STATES, DIVERSION CONTRARY TO U.S. LAW IS PROHIBITED.	NAME	DATE	 Comant Industries, Inc. Fullerton, CA
DRAWN	<i>[Signature]</i>		<i>[Signature]</i>	06/23/22	
CHECKED	<i>[Signature]</i>	UNLESS OTHERWISE SPECIFIED: ALL DIMENSIONS ARE IN INCHES TOLERANCES: FRACTIONAL: ± 1/16 ANGULAR: ± 1/2° DECIMALS: .X = ±.1 .XX = ±.01 .XXX = ±.005 HOLE TOLERANCES: +.003/- .001	ENG APPR.	<i>[Signature]</i>	07/11/22
MFG APPR.	NA		Q.A.	<i>[Signature]</i>	7/12/22
NEXT ASSY	USED ON	MATERIAL:	SEE NOTE 1		TITLE <b>LAYOUT, TYPE LABEL</b> <b>HPA 405014A-THD</b>
THE INFORMATION CONTAINED IN THIS DRAWING IS THE PROPERTY OF COBHAM. ANY REPRODUCTION IN PART OR AS A WHOLE WITHOUT WRITTEN PERMISSION OF COBHAM IS PROHIBITED.		FINISH:	NA		
		DO NOT SCALE DRAWING		SIZE	B
		TYPED SIGNATURES INDICATE APPROVAL. HANDWRITTEN SIGNATURE APPROVAL OF THIS DOCUMENT IS ON FILE AT COMANT INDUSTRIES, INC., FULLERTON, CALIFORNIA.		CAGE CODE	51351
				DWG NO.	48-134384-G
				REV	G
				SCALE: X:X	WEIGHT: NA
				SHEET: 1 OF 1	