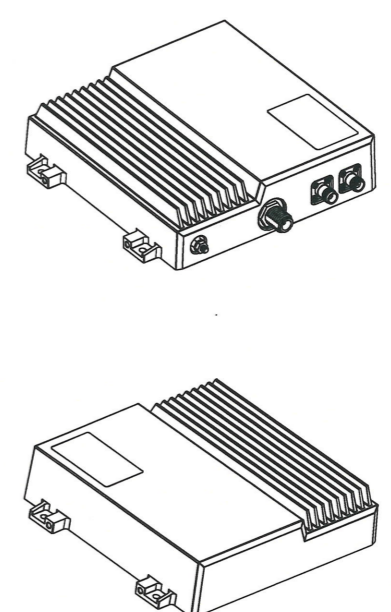
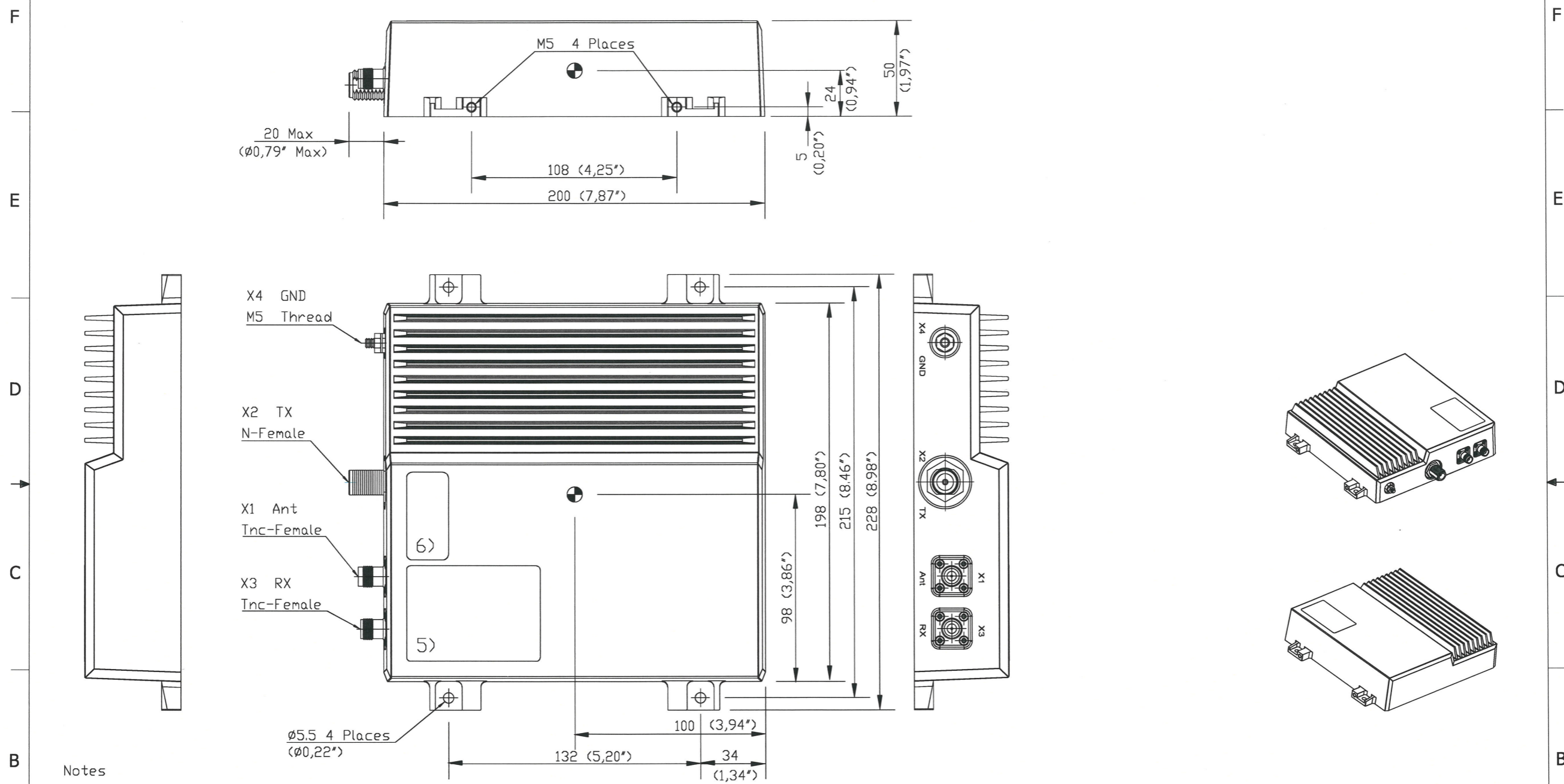


8 7 6 5 4 3 2 1

REVISIONS					
REV	DESCRIPTION	DATE	DRAWN	CHECKED	APPROVED
E	REVISED PER ECN 22-021	06/22/22	<i>[Signature]</i>	<i>[Signature]</i>	<i>JC Jensen</i>



Notes

- 1) Material: Aluminium
- 2) Paint: Epoxyester Primer + Infrasol Topcoat (Black)
- 3) Denotes approximate center of gravity
- 4) Net weight 2.6 Kg ± 0.1 Kg. (5,7 LBS ± 0.22 LBS)
- 5) Reserved for Type Label
- 6) Reserved for PMA Label
- 7) All notes and dimensions not ballooned are for reference only.
- 8) Connector dust covers not shown.

THESE COMMODITIES, TECHNOLOGY OR SOFTWARE ARE CONTROLLED IN ACCORDANCE WITH THE UNITED STATES EXPORT ADMINISTRATION REGULATIONS. WHEN EXPORTED FROM THE UNITED STATES, DIVERSION CONTRARY TO U.S. LAW IS PROHIBITED.		NAME	DATE	COBHAM Comant Industries, Inc Fullerton, CA
DRAWN	<i>[Signature]</i>	06/23/22		
CHECKED	<i>[Signature]</i>	06/23/22		TITLE
ENG APPR.	<i>[Signature]</i>	07/11/22		HPA LNA DIPLEXER (HLD) 405016A/405016A-THD
Q.A.	<i>[Signature]</i>	7/12/22		SIZE
MATERIAL:	SEE NOTE 1			C
FINISH:	SEE NOTE 2			CAGE CODE
				51351
				DWG NO.
				94-127240-E
NEXT ASSY	USED ON	INCHES	mm	REV
		.XX ±0.02	.X ±0.5	E
		.XXX ±0.008	.XX ±0.2	
		.XXXX ±0.004	.XXX ±0.1	
THE INFORMATION CONTAINED IN THIS DRAWING IS THE PROPERTY OF COBHAM. ANY REPRODUCTION IN PART OR AS A WHOLE WITHOUT WRITTEN PERMISSION OF COBHAM IS PROHIBITED.				SCALE: N/A
TYPED SIGNATURES INDICATE APPROVAL. HANDWRITTEN SIGNATURE APPROVAL OF THIS DOCUMENT IS ON FILE AT COBHAM INDUSTRIES, INC., FULLERTON, CALIFORNIA.				WEIGHT: SEE NOTE 4
				SHEET: 1 OF 1

8 7 6 5 4 3 2 1 94-127240-E.DWG