

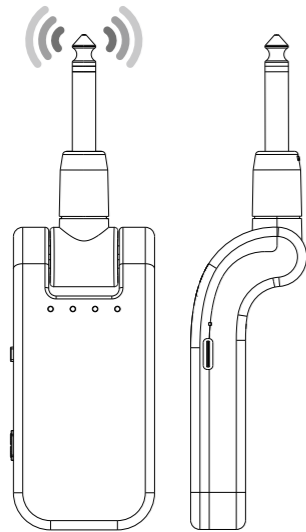
封面

74 mm

105 mm

# User Manual

## 2.4GHz Wireless Guitar System



Thank you for choosing our product, a well designed wireless audio transmitter and receiver with 2.4GHz transmission band, lossless tone quality, low latency and high THD. No need to pair, convenient and user-friendly. Four different group of devices can be used under the same circumstance. A 282° rotating head is designed to suit almost all musical instrument interface. High capacity lithium battery can bring more convenience to your play. Hope you enjoy our product.

### Attentions

1. Do not use it in humid, high temperature, strong vibration and thunderstorm circumstances.
2. Do not disassemble, repair or smash the device.
3. Other wireless devices or large obstacles might interfere or block signal transmission.
4. Power off when the device is not in use.
5. Charge the device when it is not in use for a long time just in case the battery enters protected mode. Generally speaking, with the increase of working time, battery storage capacity will decrease gradually, with the maximum usable time of battery will decrease.
6. Power off when charging to speed up charging speed.
7. Power off when plug in/out in case the device is damaged.

### Product Parameters

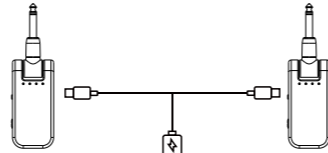
Parameter	Description
Sample Rate	48K/24bit lossless digital transmission.
Transmission Band	2.4GHz ISM
Transmission Distance	30meters outdoors and 15 meters through walls.
Transmission Latency	10ms
THD+Noise	-98dB
THD	<0.02%
Dynamic Range	>105dB
Frequency Response	20-20KHz; +1dB/-3dB
Rotation Angle	282°
Supported Device Groups	4 at the same time
Battery	rechargeable lithium batteries with short-circuit protection. 1 in 2 out TYPE-C USB charge cable

1

### Product Introduction

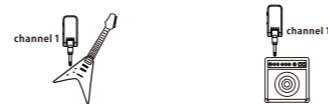
- 1 Connector: for transmitter connector, plug it in the guitar or other musical instruments. for receiver connector, plug it in the speaker.
- 2 Channel indicator: the light indicates the working channel.
- 3 Channel switch button: press to switch channel. The transmitter and receiver should be in the same channel.
- 4 Power: turn on/off the device.
- 5 Charge indicator: the light is on when being charged and is out when it is fully charged.
- 6 Charge interface: TYPE-C USB interface. The data cable can charge the transmitter and receiver at the same time.

A dual-ended USB cable charges both the transmitter and receiver.



### How to Use

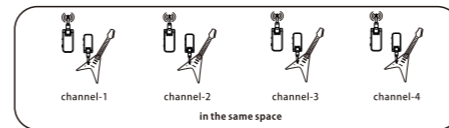
1. Plug the transmitter in your guitar and plug the receiver in your speaker, turn on the devices and choose channel 1.



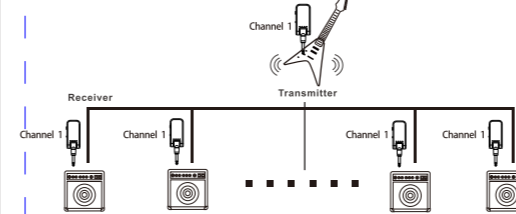
2. Play the guitar, you will hear the sound from the speaker. Just so easy!

2

3. Our device support four different group of devices in use under the same circumstances. All you need is to choose different channel.



4. Our transmitter can transmit signal to more than one receiver.



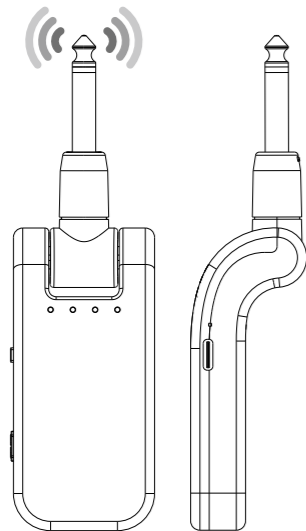
### FAQ

1. Q: The device can not be turned on?  
A: Maybe the battery enters into protected mode due to not being used for a long time. Please charge it to activate the battery.
2. Q: The device can not be charged?  
A: Maybe because the battery is in protected mode. It need to be charged over 10 minutes to be activated.
3. Q: There is strange noise when the device is in use?  
A: That is probably because the signal is interfered by other wireless device or blocked by obstacles. Please exclude these factors and make sure the transmission distance is within 30 meters. If these don't work, switch to another channel.
4. Q: The device has no sound?  
A: Turn up the volume of guitar and speaker. make sure the transmitter and receiver are in the same working channel. If these do not work, switch to another channel.

3

# 用户说明书

## 2.4GHz 吉他无线传输系统



感谢您购买我们的产品，本产品是一款精心设计的音频无线发送接收器，使用更高带宽的2.4GHz传输频段，无损音质传输、低延迟、高信噪比；极简操作无需配对；282°可旋转音频头适合各种乐器接口，支持绝大多数电声乐器；大容量锂电池支持长续航；支持4组设备同时使用。希望本产品能给你的演奏带来更多的便利和快乐。

### 注意事项

1. 请勿在潮湿、高温、强烈震动、雷暴环境下使用该设备。
2. 请勿擅自拆卸、改装、修理、摔碰该设备。
3. 其它无线设备以及大的障碍物会影响信号传输。
4. 设备不使用时请关机，否则电量将持续消耗。
5. 长时间不使用请在两个月内充电，以防电池进入低电保护模式。随着充放电次数增加，电池容量会有缓慢下降，产品的最大使用时间会相应下降。
6. 充电时请关闭设备，以加快充电速度。
7. 在与音频设备连接、断开前，请关闭电源，以避免设备故障或损害其他音频设备。

### 产品参数

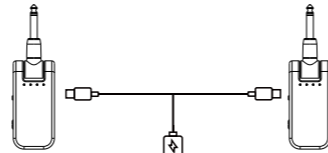
参数	描述
传输音质	48K/24bit 无损数字传输
传输频段	2.4GHz ISM 频段
传输距离	室外30米传输；15米穿墙传输
传输延迟	10ms
信噪比	-98dB
失真度	<0.02%
动态范围	>105dB
频率响应	20-20KHz；+1dB/-3dB
音频头旋转角度	282°
多设备同时使用	4组
电池	支持短路保护的充电锂电池，一拖二TYPE-C充电

1

### 产品介绍

- 1 音频头：发射器音频头连接到吉他或其他乐器，接收器音频头连接到音箱。
- 2 频道指示灯：指示当前传输频道。
- 3 频道调节按钮：循环调节传输频道，发送和接收调到相同频道即可使用。
- 4 电源：打开或关闭设备。
- 5 充电指示灯：充电时指示灯亮；充电结束，指示灯灭。
- 6 充电口：TYPE-C USB充电接口，支持手机TYPE-C线。配件USB线可同时对发射器和接收器充电。

双头的USB线可同时对发射器和接收器充电。



### 使用说明

1. 将发射器接入吉他，接收器接入音箱，打开电源，都选择频道1。



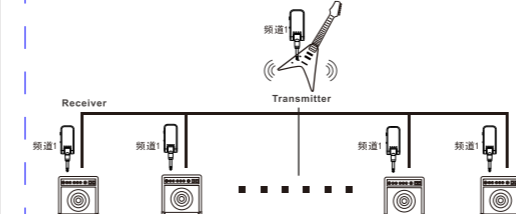
2. 弹奏吉他即可听到声音

2

3. 本设备支持4组设备同时使用，不同设备选择不同频道即可。



4. 本设备支持一个发射器Transmitter，发送信号到多个接收器Receiver上，接收器数量不限。



### 常见问题

1. 问：设备无法开机  
答：电池电量不足没有及时充电或者长时间未使用导致设备进入低电量保护模式，需要充电激活电池。
2. 问：设备无法正常充电  
答：设备长时间未使用，由于锂电池的特性会进入低电保护模式，因此需要充电十分钟以激活电池。
3. 问：使用时发出奇怪的噪音  
答：可能是因为其他无线设备干扰、传输距离太远、或者有大的障碍物，请检查排除。如问题仍然存在，请换一个频道。
4. 问：使用时没有声音  
答：吉他音量调大，发射器和接收器调在同一个频道，音箱音量调大。如仍不行，请换一个频道。

3

This device complies with part 15 of the FCC Rules. Operation is subject to the following two conditions: (1) this device may not cause harmful interference, and (2) this device must accept any interference received, including interference that may cause undesired operation.

Any changes or modifications not expressly approved by the party responsible for compliance could void the user's authority to operate the equipment.

NOTE: This equipment has been tested and found to comply with the limits for a Class B digital device, pursuant to Part 15 of the FCC Rules. These limits are designed to provide reasonable protection against harmful interference in a residential installation. This equipment generates, uses and can radiate radio frequency energy and, if not installed and used in accordance with the instructions, may cause harmful interference to radio communications.

However, there is no guarantee that interference will not occur in a particular installation.

If this equipment does cause harmful interference to radio or television reception, which can be determined by turning the equipment off and on, the user is encouraged to try to correct the interference by one or more of the following measures:

- Reorient or relocate the receiving antenna.
- Increase the separation between the equipment and receiver.
- Connect the equipment into an outlet on a circuit different from that to which the receiver is connected.
- Consult the dealer or an experienced radio/TV technician for help.

The device has been evaluated to meet general RF exposure requirement. The device can be used in portable exposure condition without restriction