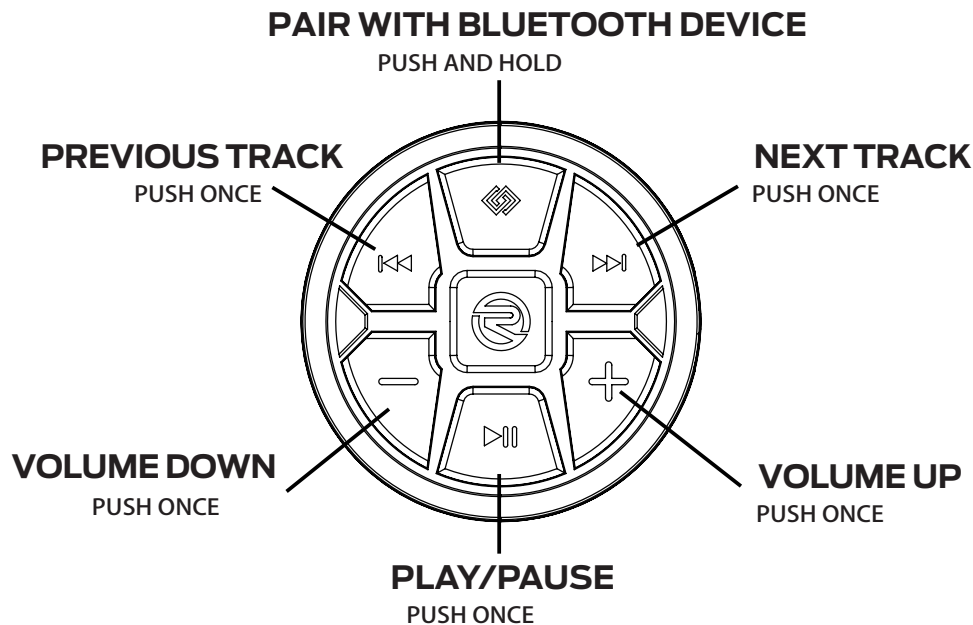


DESIGN FEATURES AND FUNCTIONS



PAIRING INSTRUCTIONS

Press any button on the remote to wake it up. Open the bluetooth setting menu in the device you wish to pair to. Toggle your devices bluetooth to ON if it is not already. Ensure your device is in searching mode and is looking for devices to pair to. In the available devices menu, look for PRC-1 and select it. Once your device finds the remote, it will ask if you would like to pair with the remote. Select pair and exit the settings menu. If pairing was successful, you will see the blue LED stays on for 1 second on the remote.

LEDs

Red LED: The red LED stays solid when battery is in charging.

Green LED: Once the remotes battery has depleted below 3.0V, the Green LED will come on solid and remain on at all times.

Blue LED: Press and hold power button to enter pairing mode, the Blue LED flashes waiting to be paired.

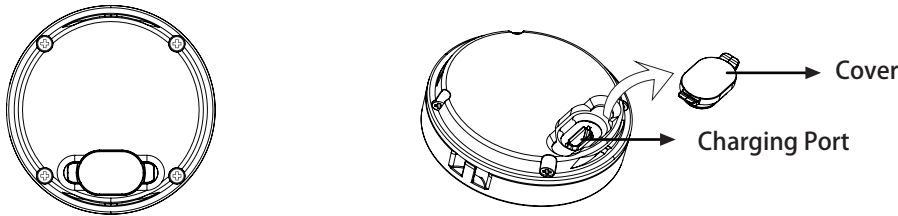
REMOTE WAKE UP/SLEEP

After 20 minutes, if no buttons are used, the remote will automatically go into sleep to preserve battery life. To wake it back up, simply press any button on the remote once.

BATTERY CHARGING

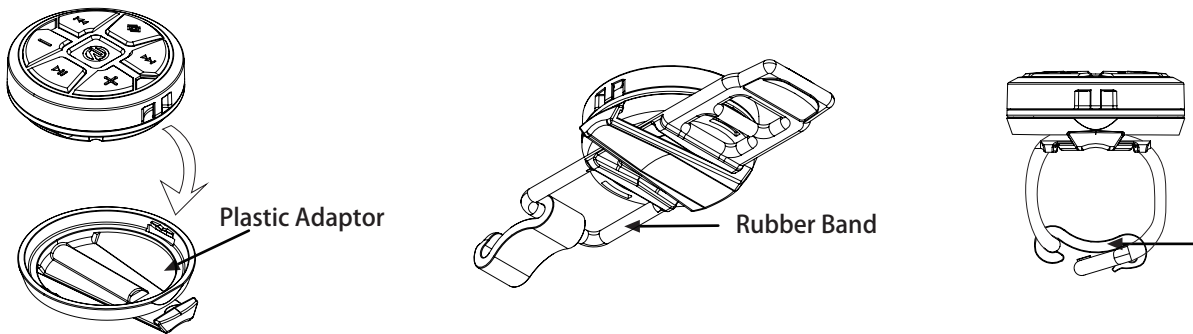
Open the cover at back of the unit, you will see the micro USB charging port. Plug in any micro USB cable to charge the battery, the red LED stays on while charging. When it is fully charged, the red LED shuts off.

RECOIL



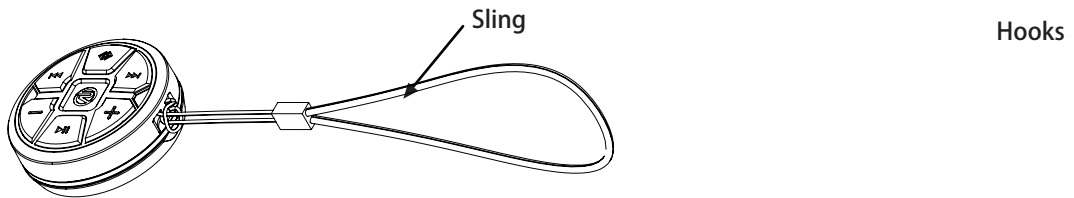
STEERING WHEEL/BAR MOUNT

Snap the unit into the plastic adaptor. Using the included rubber band for steering wheel & bar mounting, hold the rubber against the steering wheel. Wrap it around, then hook it up.



SLING

Use the included sling to carry this waterproof remote control wherever you go.



Note: This equipment has been tested and found to comply with the limits for a Class B digital device, pursuant to Part 15 of the FCC Rules. These limits are designed to provide reasonable protection against harmful interference in a residential installation. This equipment generates, uses, and can radiate radio frequency energy, and if not installed and used in accordance with the instructions, may cause harmful interference to radio communications. However, there is no guarantee that interference will not occur in a particular installation. If this equipment does cause harmful interference to radio or television reception, which can be determined by turning the equipment off and on, the user is encouraged to try to correct the interference by one or more of the following measures:

- Reorient or relocate the receiving antenna.
- Increase the separation between the equipment and receiver.
- Connect the equipment into an outlet on a circuit different from that to which the receiver is connected.
- Consult the dealer or an experienced radio/TV technician for help.

Changes or modifications not expressly approved by the party responsible for compliance could void the user's authority to operate the equipment.

This device complies with Part 15 of the FCC Rules. Operation is subject to the following two conditions:

- (1) this device may not cause harmful interference, and
- (2) this device must accept any interference received, including interference that may cause undesired operation.

The device has been evaluated to meet general RF exposure requirement in portable exposure condition without restriction.

