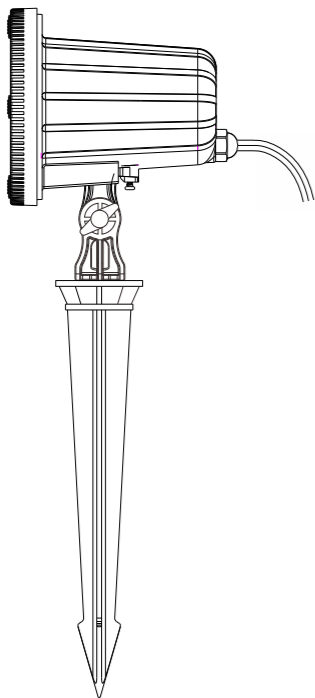


USER MANUAL



Please read this manual carefully before using the light and save the manual for future reference.

LASER SAFETY WARNINGS

Potential laser injury hazard exists with this product!

1. MUST avoid eye contacts with laser light directly. (i.e. Never expose your eyes or others to the laser light directly as the light may cause instant injury or blindness to the eyes;)
2. Do NOT open the laser light/housing under any circumstance if any without professional help and neither not attempt to repair the light by yourself as the unsafe levels of laser radiation may cause injury/danger; If any problem or help with the lights, please contact with the dealer or supplier nearest you for professional help.
3. Please follow the methods and procedures specified here on the manual to control, adjust the laser light, otherwise may cause any other hazardous radiation exposure/even danger.
4. Do NOT point the light onto any oncoming pedestrians, vehicles or traffic...etc from land, sea, or air... etc.
5. Do NOT project the laser light at or within the flight path for aircraft. If intended project surface is within 10 nautical miles of airport, please lower the angle of the light, and make sure no any lasers point into the sky or influence the fly for the aircraft.
6. This unit is not intended to use by persons(children included) with reduced physical, sensory or mental capabilities, or lack of any related product knowledge and experience unless they have been given fully instruction or supervision and their safety was responsible for.
7. Do NOT play by Children as the light is not a toy, all the operations by children MUST be fully supervised by Adults who responsible for their safety.

ELECTRIC SAFETY INSTRUCTIONS

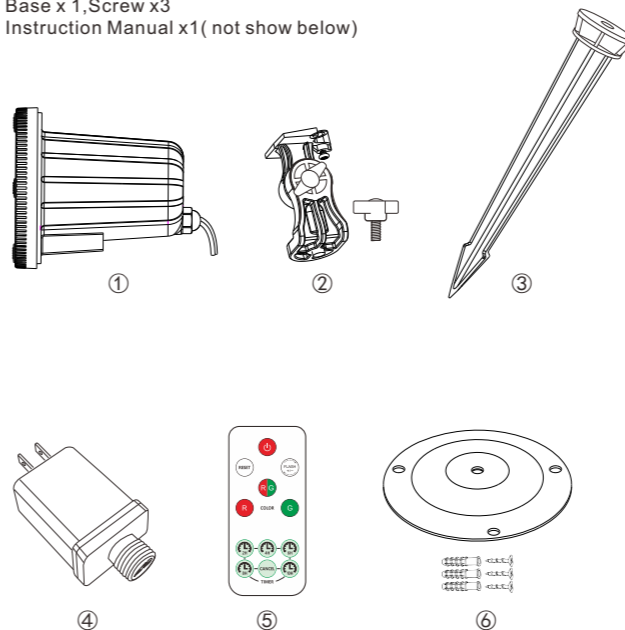
Before using any electrical products, basic precautions should always be practiced as below:

1. Read and follow all instructions.
2. Only qualified persons are allowed to do the electrical installation work follow by all applicable codes, standards, procedures, including the fire-rated construction;
3. For a direct plug-in power unit, do not install or use within 10 feet of a pool, and not use in a bathroom.
4. WARNING: Risk of electric shock and fire. For outdoor use, make sure there is a covered Class A GFCI protected receptacle available. Ensure that the power unit and cord do not interfere with completely closing the receptacle cover. Consult a qualified electrician how to run wiring to avoid fire risk.
5. Unplug the charge from the outlet when not in use.
6. Do not operate unit with damaged plug.
7. Do not disassemble adapter, otherwise result in a risk of electric shock or fire.
8. After power on, the default working time is 8 hours and the light will turn off. It will automatically turn on after 16 hours and cycle every day.

COMPONENT

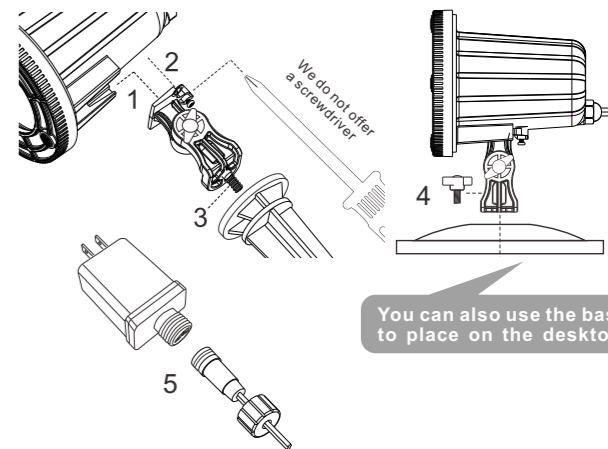
Package Contents

- ① Projector Light x 1
- ② Steering Bracket x1, Screw x1
- ③ Stake x1
- ④ AC Adapter x1
- ⑤ Remote Control x 1
- ⑥ Base x 1, Screw x3
- ⑦ Instruction Manual x1(not show below)



INSTRUCTIONS FOR ASSEMBLY AND USE

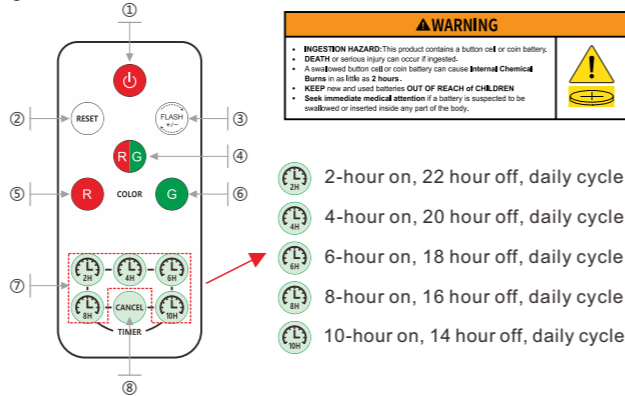
1. Take all the components from the package box and keep the box safely for future store the light when not use;
2. Choose the intended surface where the laser light project, the location for installation and project should be far away from any visual obstructions;
3. Please use mallet or other tools to insert the stake into the ground completely, do NOT use feet or just by hands for safety consideration to avoid any potential danger.
4. Fix the steering bracket to the bottom of the laser light(Fig1),and tighten the screw(Fig2).
5. Fix the steering bracket to the Stake(Fig3) with the screw②,or fix the steering bracket to the Base(Fig4) with the screw②.
6. Securely tighten the screw-on end of the power cable of the Projection Light to the input connector of AC adapter(Fig5).Operate properly to make sure the waterproof effect and avoid any electric leakage.
7. Plug the adapter into AC outlet,start the light.Adjust the desired angle of the light securely, then tighten all screws again.



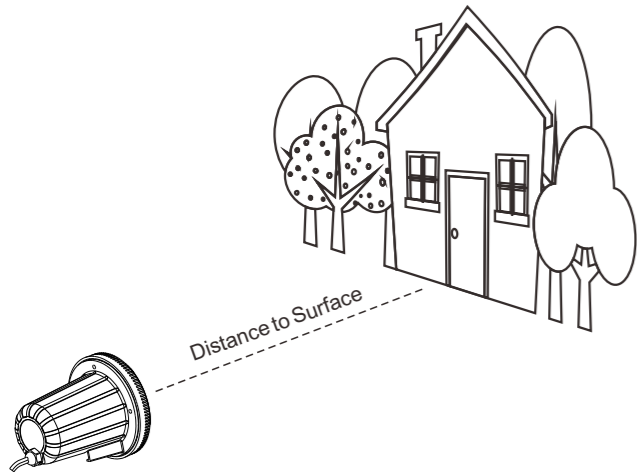
REMOTE CONTROL INSTRUCTIONS

Remote Control Instructions:

- The effective working range for remote is within about the 50 feet. The sensitivity would be decreased if there are obstructions around.
- The light has been designed that the settings of remote control can be remembered when the light be shut down with Power button or the Timer. And if the light be shut down by turned off the power supply, the settings will be reset to the Autorun mode. However, the Timer setting will not be remembered when the light be powered off manually. And must be reset again.



- Power on/off the light temporarily. Please unplug the light from the outlet if do NOT use for long time.
- Reset default program. Timed for 8 hours on, 16 hours off, daily cycle.
- 3 different flash frequency available.
- Turn on red and green light.
- Turn on red light.
- Turn on green light.
- Select the time the light works each day. The light will automatically power off to your choice. And power on automatically next day at the same time when you set the Timer.
- Cancel the timer setting. The light will work till be powered off manually.



Distance to Surface	Coverage
10 feet	226 sq.ft
15 feet	506 sq.ft
20 feet	883 sq.ft
25 feet	1378 sq.ft
30 feet	2002 sq.ft
35 feet	2680 sq.ft
40 feet	3541 sq.ft

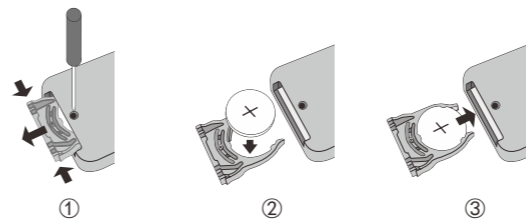
Notes:

- Activate the remote control:
When first time to use the remote, pull out the insulation tab from the battery compartment on the remote control. Battery has already been installed and will work once tab removed. Save and insert back the tab if no use the light for long time to avoid any battery power leakage;



- Replacing Battery(please follow steps as photo shows below):

- Pull the battery tray out of the battery compartment;
- Place the new CR2025 button cell battery in the tray slot correctly based on the indicated cell polarity.
- Push back the battery tray.



- Ensure the batteries are installed correctly according to polarity (+ and -).
- Do not mix old and new batteries, different brands or types of batteries, such as alkaline, carbon-zinc, or rechargeable batteries.
- Remove and immediately recycle or dispose of batteries from equipment not used for an extended period of time according to local regulations.
- Always completely secure the battery compartment. If the battery compartment does not close securely, stop using the product, remove the batteries, and keep them away from children.

- Remove and immediately recycle or dispose of used batteries according to local regulations and keep away from children. Do NOT dispose of batteries in household trash or incinerate.
- Even used batteries may cause severe injury or death.
- Call a local poison control center for treatment information.
- The compatible battery type (e.g., CR2025, CR2032).
- The nominal battery voltage
- Non-rechargeable batteries are not to be recharged.
- Do not force discharge, recharge, disassemble, heat above or incinerate. Doing so may result in injury due to venting, leakage or explosion resulting in chemical burns.

Helpful Hints:

- Do not use with dimmers.
- For longer lifetime use of the light, please make sure to cool down the light for 30minutes after working every 6 hours. And also clean the light periodically to keep it in good shape and conditions.
- Operate in temperatures of -5°F to 95°F (-20°C to 35°C). It may take a bit of longer than usual (another 2-8minutes) to warm up before the light reach it full projection if it is used in the below freezing temperature.
- Lights will look much brighter in darker place while look dimmer if there is any other light sources around there.

SPECIFICATIONS

- Laser Source: Red laser-650nm, Green laser-520nm
- Laser Classification: Class IIIa
- AC Adapter: Input:AC100V~120V,50Hz~60Hz Output: DC8V/700mA
- Length of cable: 9.84ft
- Waterproof rate: IP65

This device complies with part 15 of the FCC Rules. Operation is subject to the following two conditions: (1) this device may not cause harmful interference, and (2) this device must accept any interference received, including interference that may cause undesired operation.

Any changes or modifications not expressly approved by the party responsible for compliance could void the user's authority to operate the equipment.

NOTE: This equipment has been tested and found to comply with the limits for a Class B digital device, pursuant to Part 15 of the FCC Rules. These limits are designed to provide reasonable protection against harmful interference in a residential installation. This equipment generates, uses and can radiate radio frequency energy and, if not installed and used in accordance with the instructions, may cause harmful interference to radio communications.

However, there is no guarantee that interference will not occur in a particular installation.

If this equipment does cause harmful interference to radio or television reception, which can be determined by turning the equipment off and on, the user is encouraged to try to correct the interference by one or more of the following measures:

- Reorient or relocate the receiving antenna.
- Increase the separation between the equipment and receiver.
- Connect the equipment into an outlet on a circuit different from that to which the receiver is connected.
- Consult the dealer or an experienced radio/TV technician for help.

The device has been evaluated to meet general RF exposure requirement. The device can be used in portable exposure condition without restriction