

## USER MANUAL

*The Easiest Way to Decorate Your Home!*

Please read this manual carefully before using the light and save the manual for future reference.

### ⚠ LASER SAFETY WARNINGS

**Potential laser injury hazard exists with this product!**

1. MUST avoid eye contacts with laser light directly. (i.e. Never expose your eyes or others to the laser light directly as the light may cause instant injury or blindness to the eyes;)
2. Do NOT open the laser light/housing under any circumstance if any without professional help and neither not attempt to repair the light by yourself as the unsafe levels of laser radiation may cause injury/danger; If any problem or help with the lights, please contact with the dealer or supplier nearest you for professional help.
3. Please follow the methods and procedures specified here on the manual to control, adjust the laser light, otherwise may cause any other hazardous radiation exposure/even danger.
4. Do NOT point the light onto any oncoming pedestrians, vehicles or traffic...etc from land, sea, or air... etc.
5. Do NOT project the laser light at or within the flight path for aircraft. If intended project surface is within 10 nautical miles of airport, please lower the angle of the light, and make sure no any lasers point into the sky or influence the fly for the aircraft.
6. This unit is not intended to use by persons( children included) with reduced physical, sensory or mental capabilities, or lack of any related product knowledge and experience unless they have been given fully instruction or supervision and their safety was responsible for.
7. Do NOT play by Children as the light is not a toy, all the operations by children MUST be fully supervised by Adults who responsible for their safety.

### ELECTRIC SAFETY INSTRUCTIONS

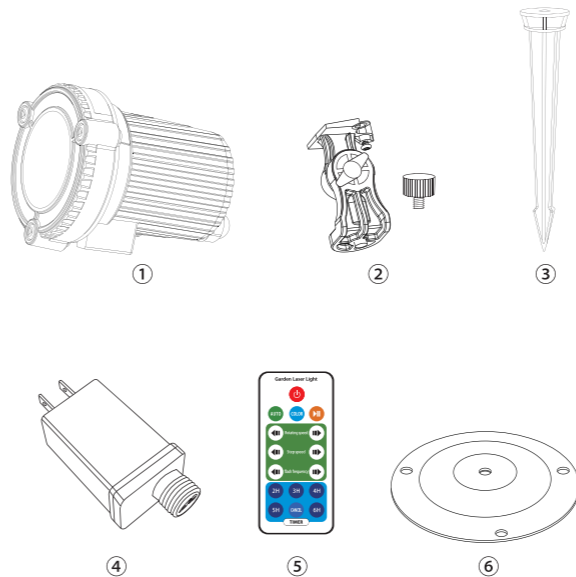
**Before using any electrical products, basic precautions should always be practiced as below:**

1. Read and follow all instructions.
2. Only qualified persons are allowed to do the electrical installation work follow by all applicable codes, standards, procedures, including the fire-rated construction;
3. For a direct plug-in power unit, do not install or use within 10 feet of a pool, and not use in a bathroom.
4. WARNING: Risk of electric shock and fire. For outdoor use, make sure there is a covered Class A GFCI protected receptacle available. Ensure that the power unit and cord do not interfere with completely closing the receptacle cover. Consult a qualified electrician how to run wiring to avoid fire risk.
5. Unplug the charge from the outlet when not in use.
6. Do not operate unit with damaged plug.
7. Do not disassemble adapter, otherwise result in a risk of electric shock or fire.

### COMPONENT

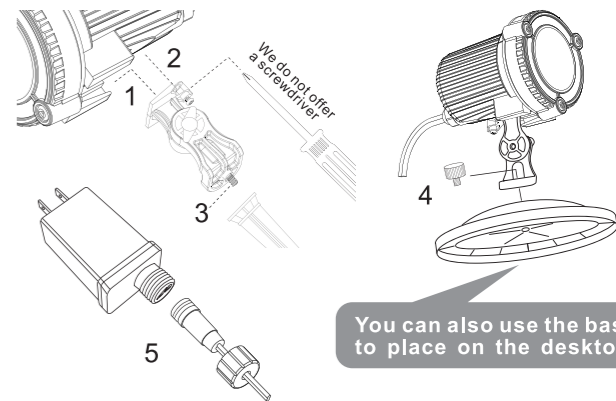
Package Contents

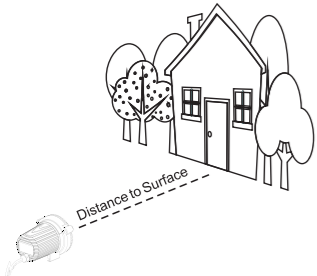
- ① Projector Light x 1
- ② Steering Bracket x1, Screw x1
- ③ Stake x1
- ④ AC Adapter x1
- ⑤ Remote Control x 1
- ⑥ Base x 1
- ⑦ Instruction Manual x1( not show below)



### INSTRUCTIONS FOR ASSEMBLY AND USE

1. Take all the components from the package box and keep the box safely for future store the light when not use;
2. Choose the intended surface where the laser light project, the location for installation and project should be far away from any visual obstructions;
3. Please use mallet or other tools to insert the stake into the ground completely, do NOT use feet or just by hands for safety consideration to avoid any potential danger.
4. Fix the steering bracket to the bottom of the laser light(Fig1), and tighten the screw(Fig2).
5. Fix the steering bracket to the Stake(Fig3) with the screw②, or fix the steering bracket to the Base(Fig4) with the screw②.
6. Securely tighten the screw-on end of the power cable of the Projection Light to the input connector of AC adapter(Fig5). Operate properly to make sure the waterproof effect and avoid any electric leakage.
7. Plug the adapter into AC outlet, start the light. Adjust the desired angle of the light securely, then tighten all screws again.





| Distance to Surface | Coverage   |
|---------------------|------------|
| 10 feet             | 226 sq.ft  |
| 15 feet             | 506 sq.ft  |
| 20 feet             | 883 sq.ft  |
| 25 feet             | 1378 sq.ft |
| 30 feet             | 2002 sq.ft |
| 35 feet             | 2680 sq.ft |
| 40 feet             | 3541 sq.ft |

1

**Darker Place  
Best place to install**

| Best distance        | Coverage         |
|----------------------|------------------|
| About 30 feet ( Max) | About 2002 sq.ft |

2

**Ordinary place  
Better place to install**

| Best distance        | Coverage  |
|----------------------|-----------|
| About 20 feet ( Max) | 883 sq.ft |

3

**Bright place  
Installed here, the pattern is not obvious**

| Best distance        | Coverage  |
|----------------------|-----------|
| About 10 feet ( Max) | 226 sq.ft |

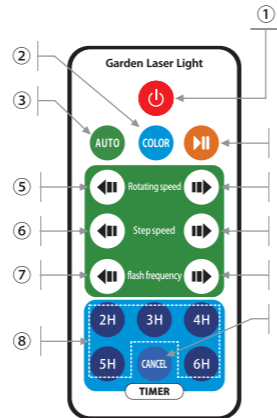
**Notice:**

If the installation distance of the lamps is too far, the ambient light is too bright, or it needs to be projected on multiple planes, for incredible results, decorate with two or more projector lights!

**REMOTE CONTROL INSTRUCTIONS**

**Remote Control Instructions:**

- The effective working range for remote is within about the 40 feet. The sensitivity would be decreased if they are obstructions around.
- The light has been designed that the settings of remote control can be remembered when the light be shut down with Power button or the Timer. And if the light be shut down by turned off the power supply, the settings will be reset to the Autorun mode. However, the Timer setting will not be remembered when the light be powered off manually. And must be reset again.



For remote, ensure only press once and wait for lights to respond, it take 1-2 seconds for the lights to respond. Remote control, and timer, once set it, automatically turn on every 24 hours, set it, and leave it, enjoy it for the whole season.

- Power button:**  
Power on/off the light temporarily. Please unplug the light from the outlet if do NOT use for long time.
- Color:** Select laser color of the light.
- Autorun:** The light runs with default programs.
- Pause:** Pause the motor.
- Rotating Speed:**  
Change the rotational speed, 6 different levels available.
- Step Speed:**  
Change the steep speed, 6 different levels availabe.
- Flash frequency:**  
3 different flash frequency available.
- Timer:**  
Select the time the light works each day. The light will automatically power off to your choice. And power on automatically next day at the same time when you set the Timer.
- Cancel:**  
Cancel the timer setting. The light will work till be powered off manually.

**Notes:**

- Activate the remote control: When first time to use the remote, pull out the insulation tab from the battery compartment on the remote control. Battery has already been installed and will work once tab removed. Save and insert back the tab if no use the light for long time to avoid any battery power leakage;



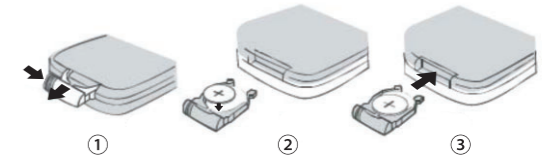
**WARNING**

Death or serious injury can occur in as little as 2 hours if swallowed.

Hazard of ingestion: Batteries cause serious injury in the esophagus in just 2h, batteries lodged in the esophagus will pose ulceration, perforation, tracheoesophageal or paraesophageal fistulas, strictures, vocal cord paralysis, tracheal stenosis, and spondylodiscitis, even death!  
Keep away from children, kept out of the reach of children, Keep in original package until ready to use. Dispose of used batteries promptly, Seek immediate help if swallowed. Call a local poison control center for treatment information, US: 1-800-222-1222, CA: 1-800-888-1222  
Risk of fire and burns. Do not recharge, disassemble, heat above (manufacturer's specified temperature rating) or incinerate.

- Replacing Battery ( please follow steps as photo shows below):

- Pull the battery tray out of the battery compartment;
- Place the new CR2025 button cell battery in the tray slot correctly based on the indicated cell polarity.



**Helpful Hints:**

- Do not use with dimmers.
- For longer lifetime use of the light, please make sure to cool down the light for 30 minutes after working every 6 hours. And also clean the light periodically to keep it in good shape and conditions.
- Operate in temperatures of -5°F to 95°F (-20 to 35 ). It may take a bit of longer than usual (another 2-8 minutes) to warm up before the light reach it full projection if it is used in the below freezing temperature.
- Lights will look much brighter in darker place while look dimmer if there is any other light sources around there.

**SPECIFICATIONS**

- Laser Source: DPSS Green Laser, Red Laser Diode
- Laser Power: 20mW@532nm, 100mW@650nm
- Laser Classification: Class II
- Power supply: Input: 100-240V~50/60Hz, Output: 3V, 1000mA
- Length of cable: 9.84ft
- Waterproof rate: IP65



## FCC Statement

This device complies with Part 15 of the FCC rules. Operation is subject to the following two conditions: 1) this device may not cause harmful interference, and 2) this device must accept any interference received, including interference that may cause undesired operation.

Note: This equipment has been tested and found to comply with the limits for a Class B digital device, pursuant to part 15 of the FCC Rules. These limits are designed to provide reasonable protection against harmful interference in a residential installation.

This equipment generates uses and can radiate radio frequency energy and, if not installed and used in accordance with the instructions, may cause harmful interference to radio communications. However, there is no guarantee that interference will not occur in particular installation. If this equipment does cause harmful interference to radio or television reception, which can be determined by turning the equipment off and on, the user is encouraged to try to correct the interference by one or more of the following measures:

- Reorient or relocate the receiving antenna.
- Increase the separation between the equipment and receiver.
- Connect the equipment into an outlet on a circuit different from that to which the receiver is connected.
- Consult the dealer or an experienced radio/TV technician for help.

Changes or modifications not expressly approved by the party responsible for compliance could void the user's authority to operate the equipment.

### FCC RF Radiation Exposure Statement

The device has been evaluated to meet general RF exposure requirement. The device can be used in portable exposure condition without restriction.