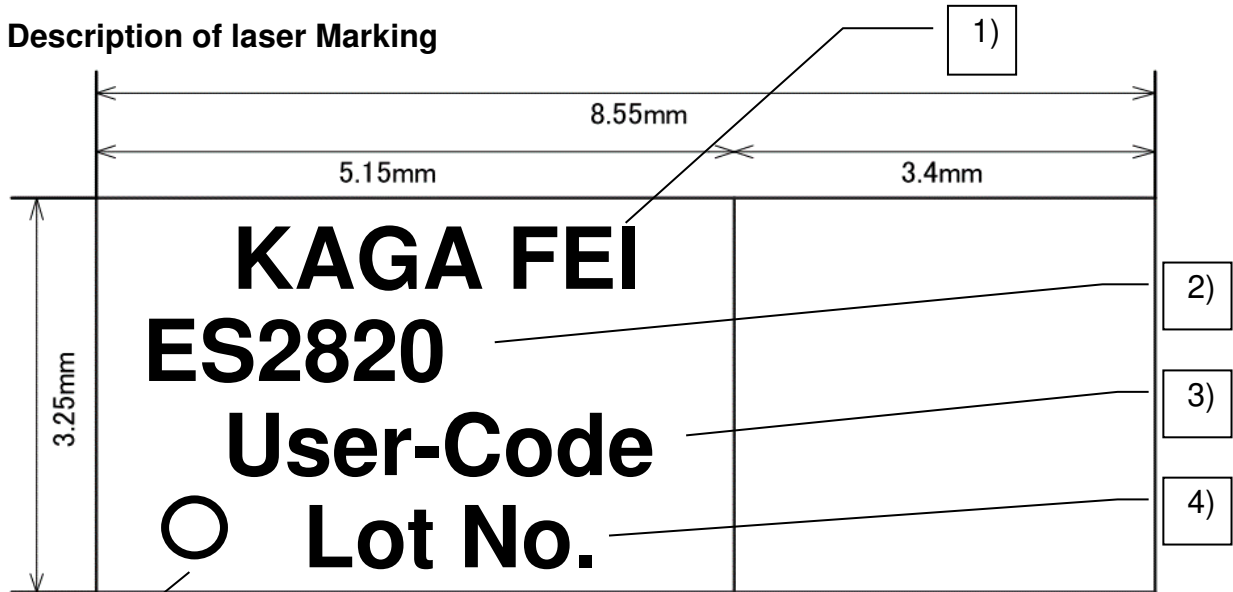


Control No. (1/1)	Title Outline·Appearance 外形·外觀図	APPROVED	CHECKED	DRAWN	DESIGNED

Description of laser Marking



5)

- 1) Manufacturer : KAGA FEI
- 2) Model (upper 6 digits) : ES2820
- 3) User-Code :
- 4) Product Lot number : Four digits (Refer to [Instruction for Lot Number])
- 5) 1 pin mark

Marking of ID number

It is impossible to put a label on this very small shielding part. Therefore the marking of model number and user code is written by LASER marker. It needs to consider about alignment accuracy as well. The traceability requirement in quality control under ISO standard is secured by the Lot number, the Model number and user code marking on each product. The marking can be not removed by our company regulation for product management. Putting on this together, marking of ID number on this shielding part with 3.25mm width is impossible. It's describe on a user's manual because it isn't possible to indicated " FCC ID:2A6NFES2820 ".