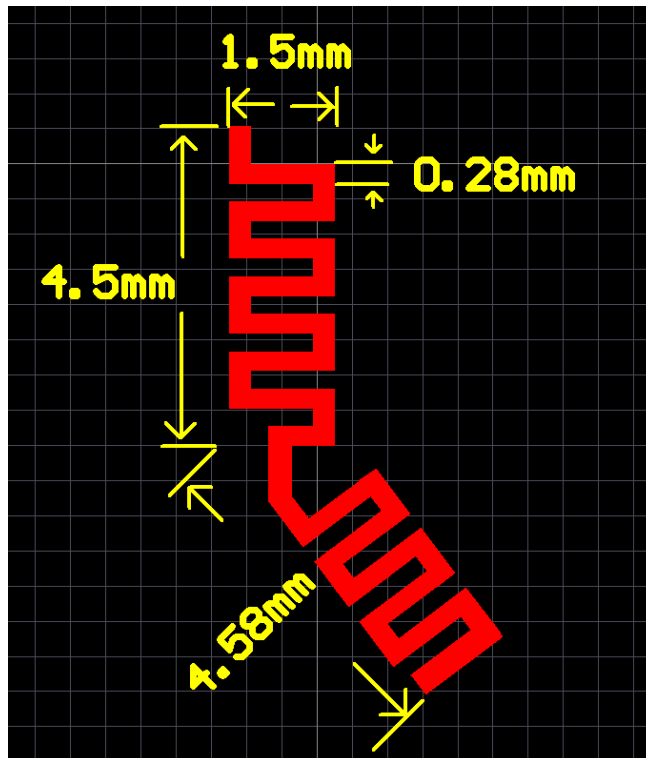


Antenna Specification

1. Antenna Describe

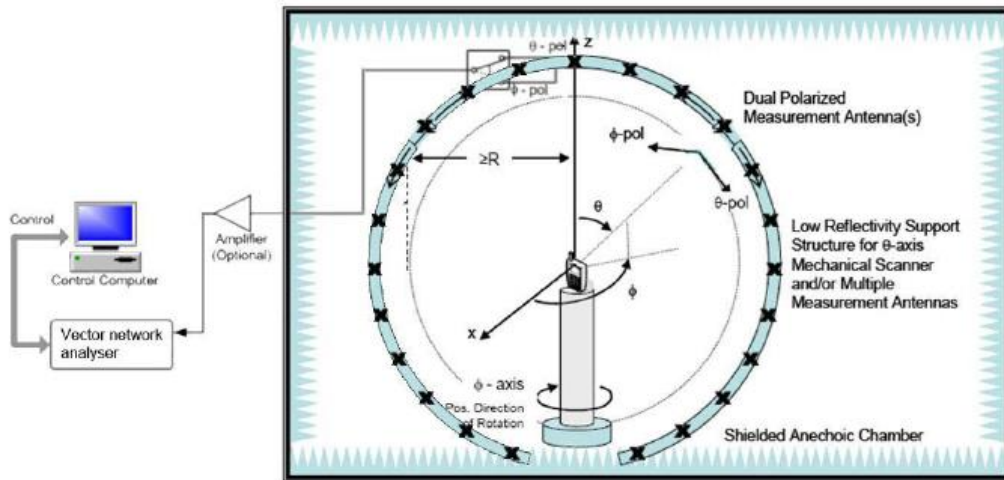
Antenna Manufacturer	Shenzhen Zhichuang All Technology Co., LTD
Antenna Address	D401, Ganghong Complex Building, Building 2, No.7, Xiangye Road, Xialilang Community, Nanwan Street, Longgang District, Shenzhen
Antenna Model	Z50S
Antenna Type	PCB Antenna
Antenna Gain	0.63dBi Max
Frequency Rang	2400-2500MHz
VSWR	<2
Input Impedance	50 Ω

2. External View Drawing



3. Measurement Result

3.1 Test Setup



3.2 Antenna performance test diagram



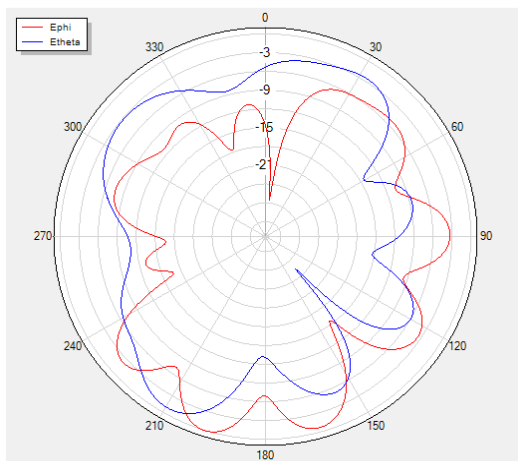
3.3 Antenna test data

Frequency (MHz)	Efficiency (%)	Gain (dBi)
2400	15.47	-0.20
2410	16.67	0.04
2420	17.50	0.18
2430	17.63	0.23
2440	18.19	0.28
2450	19.47	0.48
2460	20.25	0.63
2470	19.89	0.59
2480	18.57	0.30
2490	17.26	0.03
2500	15.89	-0.35

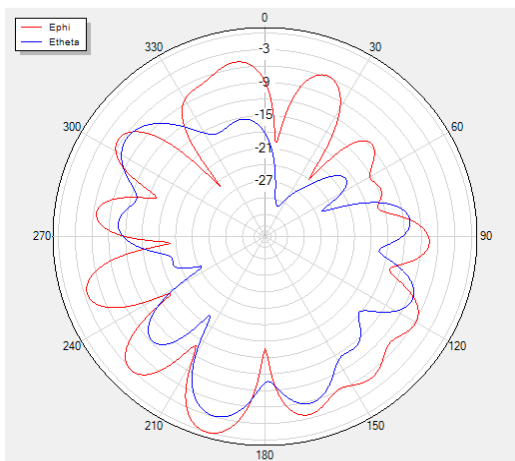
3.4 Antenna test diagram

2D Diagram

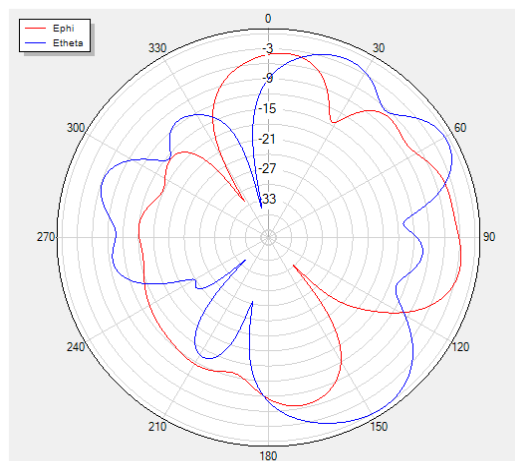
Phi=90 freq=2400MHz



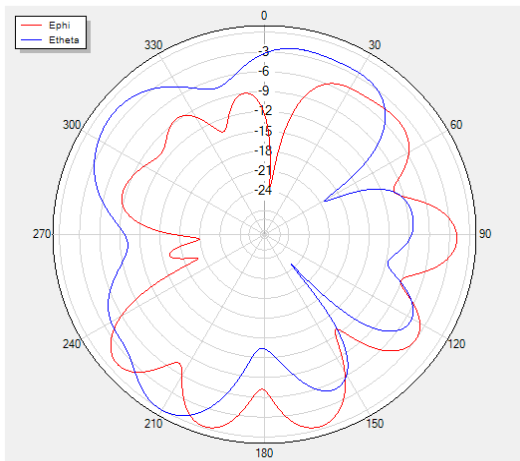
Phi=0 freq=2400MHz



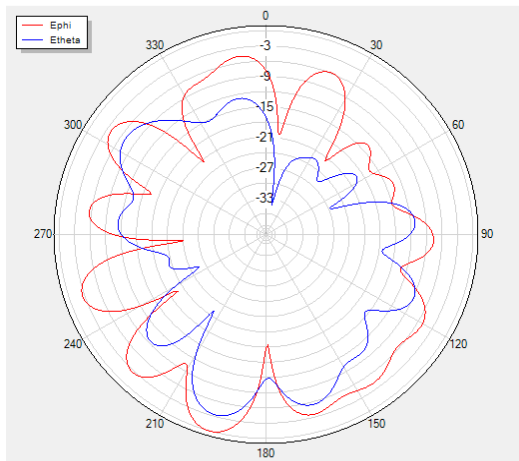
Theta=90 freq=2400MHz



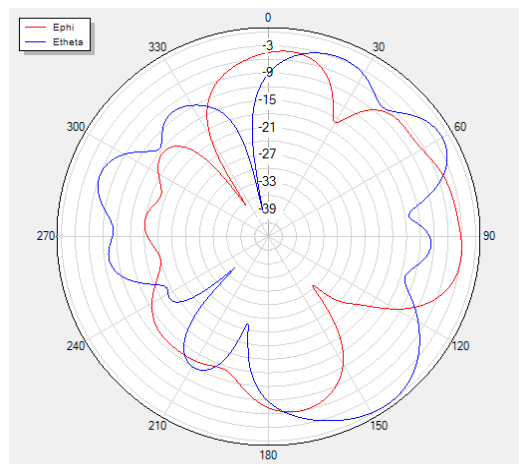
Phi=90 freq=2450MHz



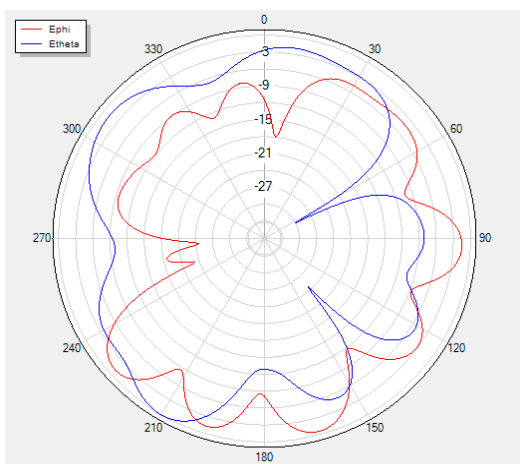
Phi=0 freq=2450MHz



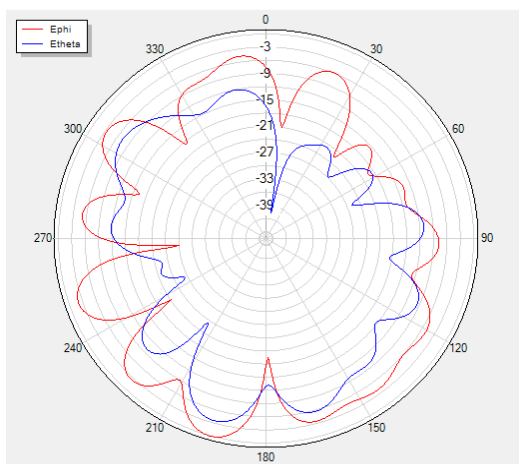
Theta=90 freq=2450MHz



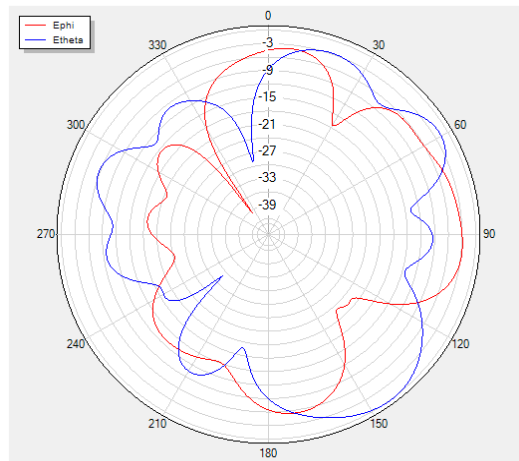
Phi=90 freq=2480MHz



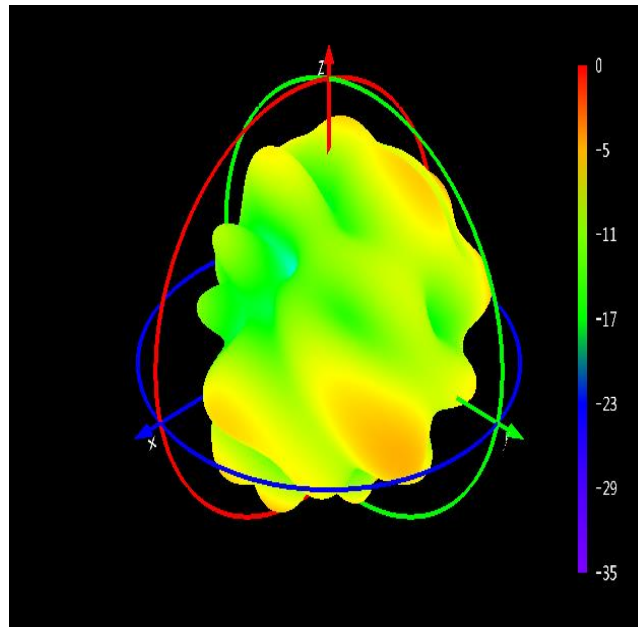
Phi=0 freq=2480MHz



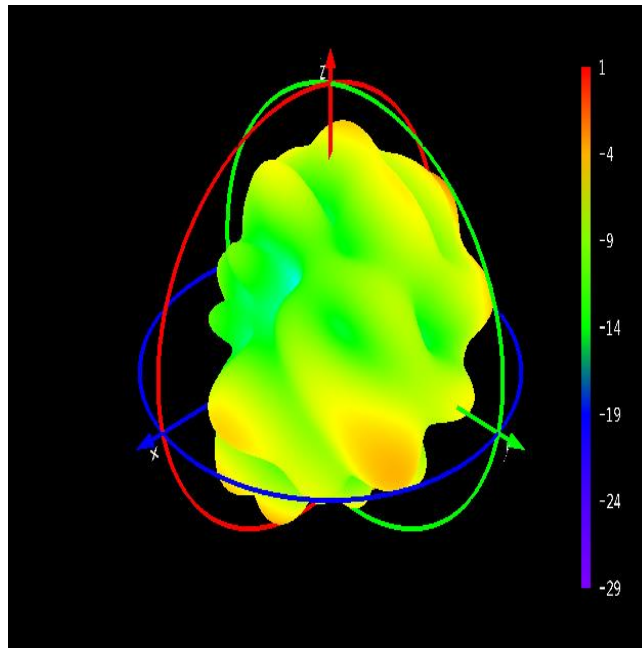
Theta=90 freq=2480MHz



3D Diagram
2400MHz



2450MHz



2500MHz

