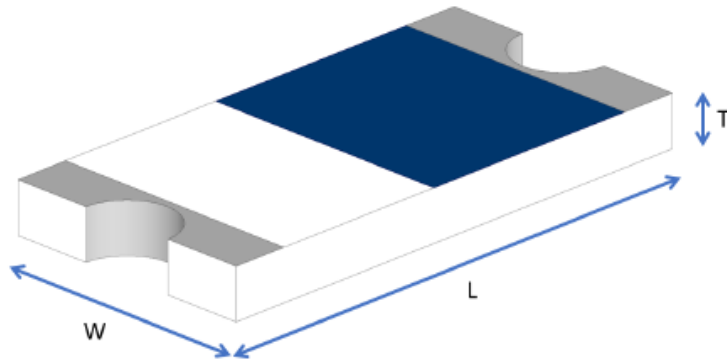


## Antenna Specification

### 1. Antenna Describe

Antenna Manufacturer	ONEWAVE TECHNOLOGY CO., LTD.
Antenna Address	1006 Minzhi Dongming Building, Longhua District, Shenzhen
Antenna Model	WAN3216F245H08
Antenna Type	Chip Antenna
Antenna Gain	1.75dBi Max
Frequency Rang	2400-2500MHz
VSWR	<2
Input Impedance	50 $\Omega$

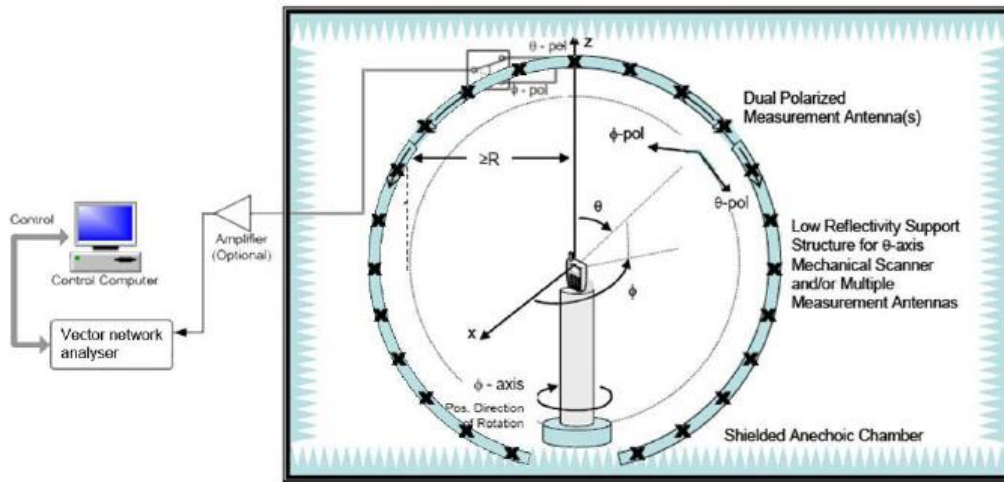
### 2. External View Drawing



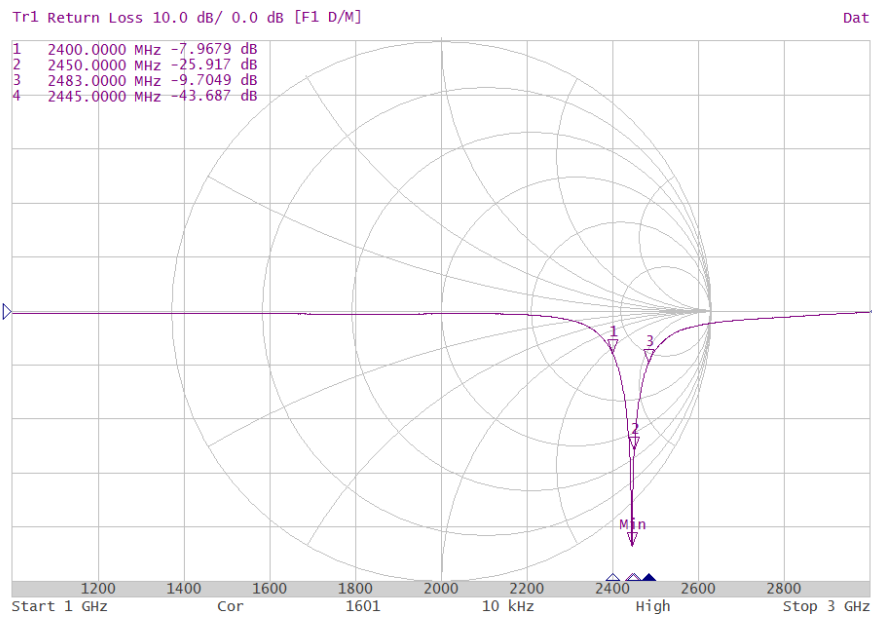
	Dimension (mm)
<b>L</b>	<b>3.23 ± 0.20</b>
<b>W</b>	<b>1.66 ± 0.20</b>
<b>T</b>	<b>0.45 ± 0.20</b>

### 3. Measurement Result

#### 3.1 Test Setup



#### 3.2 Return Loss



### 3.3 Antenna test data

Frequency (MHz)	Efficiency (%)	Peak Gain (dBi)
2400	81.46	1.67
2450	84.75	1.75
2500	82.68	1.70

### 3.4 Antenna test diagram

