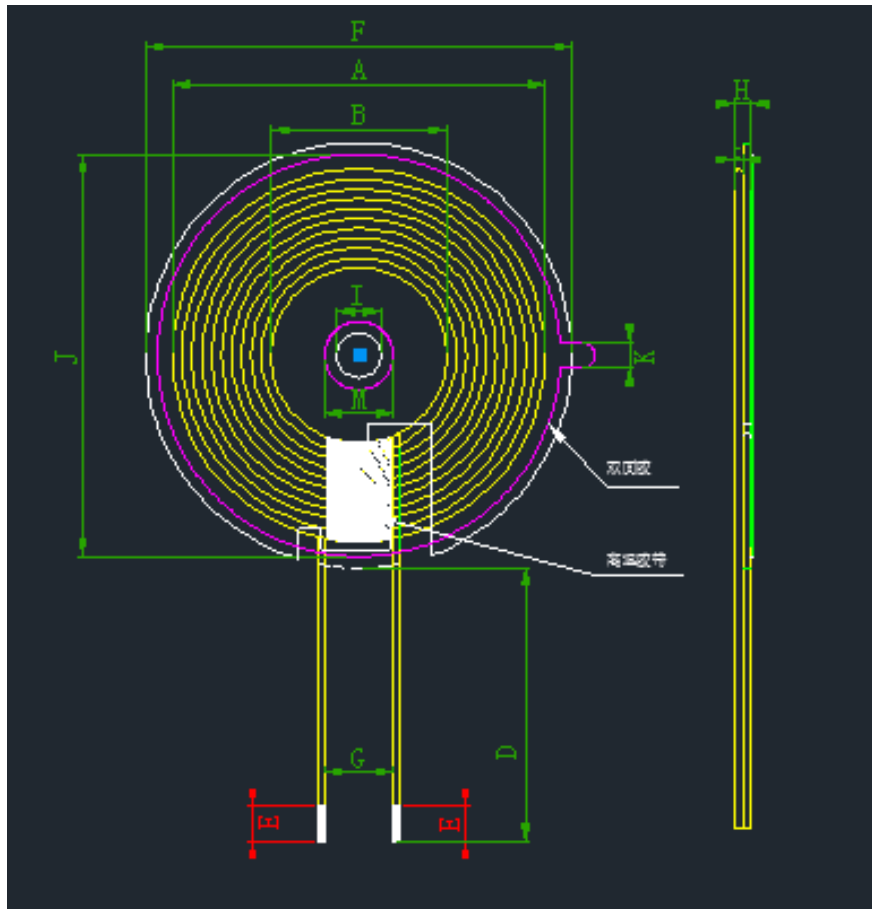


Antenna Information

1. Manufacturer' s name: Shenzhen Songdao Technology Co., LTD
2. Manufacturer' s address: 8th Floor, Building 2, Sanjia High-tech Industrial Park, No. 123 Junfa 3rd Road, Dongkeng Town, Dongguan City, Guangdong Province, China
3. Antenna model name: K12
4. Antenna size



| | | | |
|---|--------------|---|------------|
| A | 43.0 ± 1.5mm | G | 10.0mm ref |
| B | 20.5 ± 0.5mm | H | 2.5mm Max |
| C | 1.25mm Max | I | 5.3mm ref |
| D | 40 ± 2mm | M | 8.0mm ref |
| E | 4 ± 2mm | J | 47 ± 1mm |
| F | 50 ± 1mm | K | 3.0 ± 1mm |

5. Antenna Gain: Only radiated measurements are used to show compliance with FCC limits for fundamental and spurious emissions.