

# 成品尺寸：70x100mm 80g书纸 单色印刷 风琴折

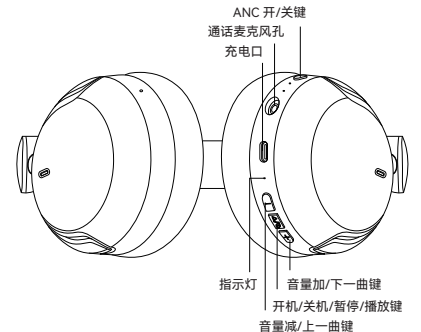
## ANC Bluetooth headset

sanag D50S Pro  
头戴式ANC降噪蓝牙耳机



使用指南  
User Guide

### ● 产品概述



ANC 开/关键  
通话麦克风孔  
充电口  
指示灯  
音量加/下一曲键  
开机/关机/暂停/播放键  
音量减/上一曲键

### ● 按键功能操作

1.开/关机

- 开机：长按开关键3S，冰蓝灯闪烁。
- 关机：长按开关键3S，冰蓝灯常亮2秒。
- 超时自动关机：耳机与手机没连接，5分钟后自动关机，指示灯冰蓝灯闪烁。

### 2.模式/配对

- 重新配对（恢复出厂设置）：同时长按“+”、“-”键5秒，强行进入恢复出厂设置后关机，指示灯冰蓝灯闪烁。
- 进入与手机配对状态：无配对开机，自动进入，指示灯冰蓝灯闪烁。
- Usb audio：插入type-C线，自动关闭蓝牙，进入关机状态。
- 外置麦克风：插入外置麦克风，有线蓝牙状态都正常使用通话。
- 语音助手：三击开关键开启语音助手（单击开关键退出语音助手）。

### 3.ANC模式

- ANC降噪：开机默认为音乐模式，单击ANC键进入ANC降噪模式，再单击ANC键切换通透模式。

### 4.音乐播放器

- 音乐播放/暂停功能：单击开关键。
- 上一曲：长按-键2S为切换上一首曲目。
- 下一曲：长按+键2S为切换下一首曲目。
- 音量增加：单击+键。
- 音量减少：单击-键。

### 5.通话

- 接听来电：单击开关键。
- 拒接来电：长按开关键2秒。
- 挂断电话：通话中，双击开关键挂断通话。

### 6.充电

- 低电提示：耳机电量不足时，每隔5分钟提示一次低电报警音，冰蓝灯每10秒闪一次。
- 充电状态：冰蓝灯常亮，充满灯灭。

### ● 蓝牙操作

● 蓝牙连接成功：

- 1.耳机进入蓝牙模式，手机搜索蓝牙配对名“sanag D50S Pro”，点击连接即可。
- 2.与手机自动回连，能自动回连已连接过的设备，配对状态冰蓝闪烁，配对成功，灯光熄灭。

● 蓝牙断开：

- 1.手动关闭手机蓝牙端，耳机进入蓝牙配对模式。
- 2.耳机与手机超距后断开，5分钟内回到有效距离范围，能正常回连手机，超过5分钟会自动关机。



搜索耳机      连接成功


### ● 规格参数

- 名称：头戴式ANC降噪蓝牙耳机
- 型号：sanag D50S Pro
- 蓝牙版本：V5.3
- 连接范围：≥10m
- 输入：5V=500mA
- 电池容量：1000mAh/3.7V, 3.7Wh

### ● 注意事项

- 切勿使用具有腐蚀性的清洁剂清理本产品。
- 切勿让本产品加热或靠近火源，如煮食炉。
- 切勿让本产品长时间受阳光直射照射。
- 切勿将本产品弃置于火中，避免发生爆炸。
- 切勿尝试拆开本产品作出任何修改，因为它并不包含任何维修组件。
- 切勿在雨中使用本产品。
- 如果长时期内不打算使用本产品，请您将它储存在干燥的环境中，并每月至少为耳机充电一次以延长寿命，避免极端的温度和灰尘。

## 电子信息产品有害物质声明

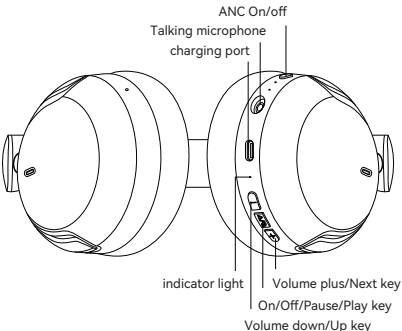


部件名称	有害物质					
	铅(Pb)	汞(Hg)	镉(Cd)	六价铬(Cr(VI))	多溴联苯(PBBs)	多溴二苯醚(PBDEs)
PCB	○	○	○	○	○	○
塑料	○	○	○	○	○	○
附件	○	○	○	○	○	○

本表格依据SJ/T 11364的规定编制。  
O:表示该有害物质在该部件所有均质材料中的含量均在GB/T26572规定的限量要求以下。  
X:表示该有害物质至少在该部件的某一均质材料中的含量超出GB/T26572规定的限量要求。

温馨提示:5年图标是指“环保有效使用期限”,不是产品质量保证期限。电子产品均含有铅、汞、镉等有害物质,一旦超期使用,有害物质将可能因为发生外泄或突变,对环境造成污染,或对人体及人身财产造成严重损害。“环保使用期限”,意为所有的电子产品都将被要求在此有效期限内使用,超过安全使用年限之后出现的安全风险问题,我们将不再对产品质量负责。

### ● product overview



ANC On/off  
Talking microphone  
charging port  
indicator light  
Volume plus/Next key  
On/Off/Pause/Play key  
Volume down/Up key

### ● Key function operation

1. On/off

- Power on: long press the switch button for 3S, the ice blue light flashes.
- Off: Long press the switch button for 3S, the ice blue light is on for 2 seconds.
- Automatic shutdown over time: the headset is not connected to the mobile phone, and it will automatically shut down after 5 minutes with the ice blue light flashing.

2. Pattern/pairing

● Re-pair (restore factory Settings): Hold down the “+” and “-” keys for 5 seconds at the same time to forcibly enter and restore factory Settings Turn off after setting; The ice blue light is blinking.

● Enter the pairing state with the phone: no pairing starts, automatically enters, and the ice blue light flashes.

● Usb audio: Insert type-C cable, automatically turn off Bluetooth, enter the shutdown state.

● External microphone: Insert the external microphone, and the wired Bluetooth state can be used normally.

● Voice Assistant: Press the on/off key three times to turn on the voice assistant (click the on/off key to exit the voice assistant).

### 3.ANC model

- ANC noise reduction: The default mode is music, click ANC to enter ANC noise reduction mode, and then click ANC to switch to transparent mode.

### 4. Music player

- Music play/pause function: click the switch button.
- Previous track: Long press the - key 2S to switch the previous track.
- Next track: Long press + 2S to switch to the next track.
- Volume increase: Click the + key.
- Volume reduction: Click the - key.

### 5.Talk

- Answer a call: Click the switch button.
- Reject incoming calls: Press and hold the switch button for 2 seconds.
- Hang up: During a call, double-click the key to hang up the call.

### 6.Charge

- Low power warning: When the headset battery is insufficient, it will prompt a low power alarm tone every 5 minutes, and the ice blue light will flash every 10 seconds.
- Charging state: ice blue light is on, full light is off.

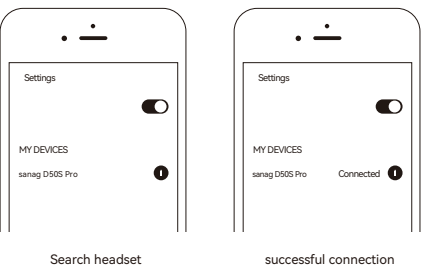
### ● Bluetooth operation

● Bluetooth connection is successful:

1. The headset enters Bluetooth mode, search for the Bluetooth pairing name “sanag D50S Pro” on the mobile phone, and click Connect.
2. Automatically connect back to the mobile phone, can automatically connect back to the connected device, pairing status ice blue flashing, pairing successful, light off.

● Bluetooth disconnected:

1. Manually turn off the Bluetooth of the mobile phone, and the headset enters Bluetooth pairing mode.
2. Disconnect the headset from the phone after overdistance, return to the effective distance range within 5 minutes, and can connect the phone normally, more than 5 Minutes will automatically shut down.



Search headset      successful connection

### ● Specifications

- Name: ANC Bluetooth headset
- Model: sanag D50S Pro
- Bluetooth Version: V5.3
- Connection range: ≥10m
- Input: 5V = 500mA
- Battery capacity: 1000mAh/3.7V,3.7Wh
- FCC ID: 2A6MS-D50
- CMIIT ID: 24J44X828201

### ● Matters needing attention

- Do not use abrasive cleaners to clean this product.
- Do not allow this product to be heated or close to a fire source, such as a cooking stove.
- Do not expose the product to direct sunlight for a long time.
- Do not discard this product in fire to avoid explosion.
- Do not attempt to disassemble this product to make any modifications, as it does not contain any maintenance components.
- Do not use this product in rain.
- If you do not plan to use this product for a long time, please store it in a dry environment and charge the headset at least once a month to extend its life and avoid extreme temperatures and dust.

### ● FCC Warning

● This device complies with part 15 of the FCC Rules. Operation is subject to the following two conditions:(1) This device may not cause harmful interference, and (2) this device must accept any interference received, including interference that may cause undesired operation.

Any Changes or modifications not expressly approved by the party responsible for compliance could void the user's authority to operate the equipment.

This equipment has been tested and found to comply with the limits for a Class B digital device, pursuant to part 15 of the FCC Rules. These limits are designed to provide reasonable protection against harmful interference in a residential installation. This equipment generates uses and can radiate radio frequency energy and, if not installed and used in accordance with the instructions, may cause harmful interference to radio communications. However, there is no guarantee that interference will not occur in a particular installation. If this equipment does cause harmful interference to radio or television reception, which can be determined by turning the equipment off and on, the user is encouraged to try to correct the interference by one or more of the following measures:

- Reorient or relocate the receiving antenna.
- Increase the separation between the equipment and receiver.
- Connect the equipment into an outlet on a circuit different from that to which the receiver is connected.
- Consult the dealer or an experienced radio/TV technician for help.

The device has been evaluated to meet general RF exposure requirement. The device can be used in portable exposure condition without restriction.