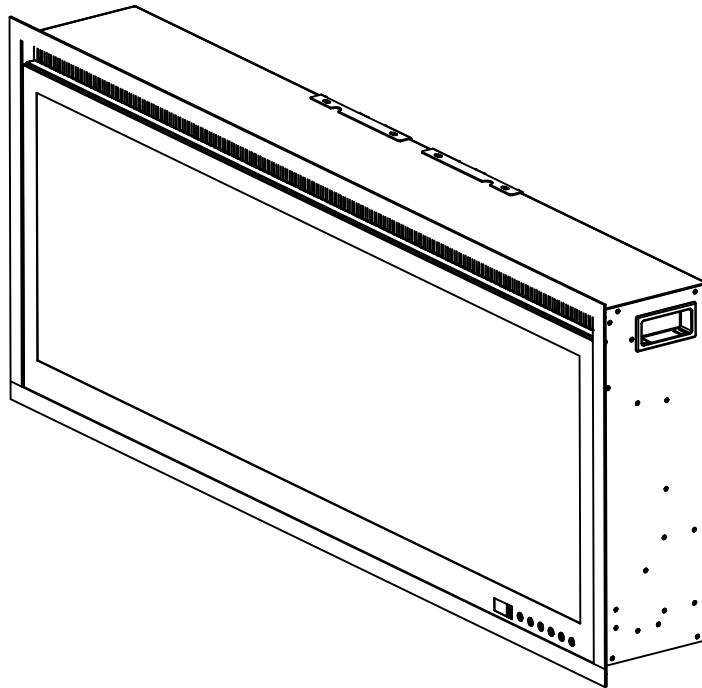


IMPORTANT INSTRUCTIONS & OPERATING MANUAL

Royal Slim42Z(BI42Z),Royal Slim50Z(BI50Z)
Royal Slim60Z(BI60Z),Royal Slim74Z(BI74Z)
Royal Slim88Z(BI88Z),Royal Slim100Z(BI100Z)



⚠ WARNING

Read and understand this entire owner's manual, including **all safety information, before plugging in or using** this product. Failure to do so could result in **fire, electric shock, or serious personal injury.**

⚠ CAUTION

Keep this owner's manual for future reference. If you sell or give this product away, **make sure this manual accompanies this product.**

NO VENTING REQUIRED
120V AC; 60 Hz; 1500 Watts



IMPORTANT: It is important to read these instructions carefully before using the appliance for the first time. Keep the instructions safe so that you can refer to them later if necessary.

【IMPORTANT INSTRUCTIONS】

When using electrical appliances basic precautions should always be followed to reduce the risk of fire, electric shock and injury to persons, including the following:

- 1) Read all instructions before using this heater.
- 2) This heater is hot when in use. To avoid burning, do not touch hot surface. If provided, use handles when moving this heater. Keep combustible materials, such as furniture, pillows, bedding, papers, clothes, and curtains at least 1 m from the front of the heater and keep them away from the sides and rear. In order to avoid overheating, do not cover the heater.
- 3) Extreme caution is necessary when any heater is used near children or the infirm and whenever the heater is left operating and unattended.
- 4) Always unplug heater when not in use.
- 5) Do not operate any heater with a damaged cord or plug or after the heater malfunctions, has been dropped or damaged in any manner, return heater to authorised service facility for examination, electrical or mechanical adjustment, or repair.
- 6) Do not use outdoors.
- 7) This heater is not intended for use in bathrooms, laundry areas and similar indoor locations. Never locate heater where it may fall into a bathtub or other water container.
- 8) Do not run cord under carpeting. Do not cover cord with throw rugs, runners, or similar coverings. Arrange cord away from traffic area and where it will not be tipped over.
- 9) To disconnect heater, turn controls to off, then remove plug from outlet.
- 10) Do not insert or allow foreign objects to enter any ventilation or exhaust opening as this may cause an electric shock or fire, or damage the heater.
- 11) To prevent a possible fire, do not block air intakes or exhaust in any manner. Do not use on soft surfaces, like a bed, where openings may become blocked.
- 12) A heater has hot and arcing or sparking parts inside. Do not use it in areas where gasoline, or flammable liquids are used or stored.
- 13) Use this heater only as describes in this manual. Any other use not recommended by the manufacturer may cause fire, electric shock, or injury to persons.
- 14) DANGER-HIGH Temperatures may be generated under certain abnormal conditions. Do not partially or fully cover or obstruct the front of this heater.
- 15) Replacement of the lamps should be done only while the heater is disconnected from the supply circuit.
- 16) This appliance is not intended for use by persons (including children) with reduced physical, sensory or capabilities, or lack of experience and knowledge, unless they have been given supervision or instruction concerning use of the appliance by a person responsible for their safety. Children should be supervised to ensure that they do not play with the appliance.
- 17) CAUTION: In order to avoid a hazard due to inadvertent resetting of the thermal cut-out, this appliance must not be supplied through an external switching device, such as a timer, or connected to a circuit that is regularly switched on and off by the utility.

UNPACKING AND TESTING APPLIANCE

Carefully remove the appliance from the box. Prior to installing the appliance, test to make sure the appliance operates properly by plugging the power supply cord into a conveniently located 110-120 Volt grounded outlet.

【 Grounding Appliance 】

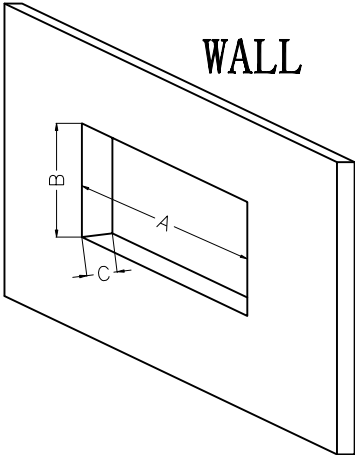
This appliance is for use on 120 Volts. For connecting three-blade grounding type plugs to three-slot receptacles. The green grounding lug extending from the adapter must be connected to a permanent ground such as a properly grounded outlet box. The adapter should not be used if a three-slot grounded receptacle is available. To disconnect appliance, turn controls to off, then remove plug from outlet.

WARNING:

Keep the front of the appliance through which the heat is radiated at least 1 meter away from furniture, curtains and other flammable objects at all time. Never use an extension lead. The mains cable must remain at the back of the appliance and must not be in contact with any hot elements.

【 INSTALLATION 】

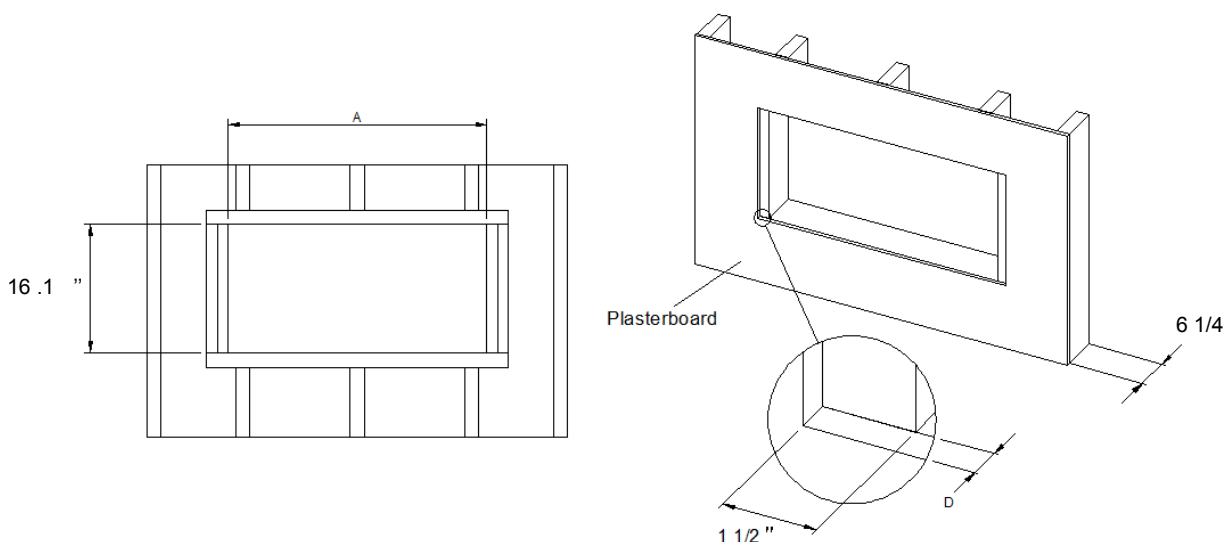
WARNING: Find a safe location and build a suitable hole for fireplace. Minimum clearance from the ceiling and the mantel must be at least 8 inches (200mm); minimum clearance from the front must be at least 3 feet (900mm). Choose a location near an outlet so an extension cord is not required.



Model	A (Width)	B (Height)	C (Depth)
BI42Z	40.89	16.1	6 1/4"
BI50Z	48.88	16.1	6 1/4"
BI60Z	58.88	16.1	6 1/4"
BI74Z	72.89	16.1	6 1/4"
BI88Z	86.88	16.1	6 1/4"
BI100Z	98.88	16.1	6 1/4"

Take model BI50Z as an example. Prepare a wall with a framed opening of 48.88 inch (1241.6mm) wide X 16.1" (410mm) high. Make sure the width of the wood block on both sides which used to fix the fireplace is 3" (76mm). Make sure that the revealed wood block width on both sides is about 1 1/2" (37.5mm) after finishing the plasterboard. Measure the depth D from the plasterboard surface to the wood block and write it down.

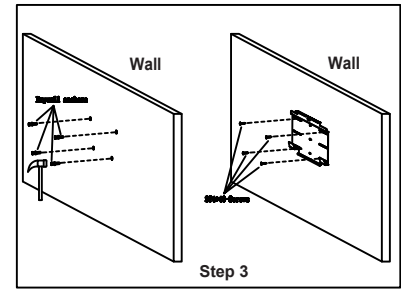
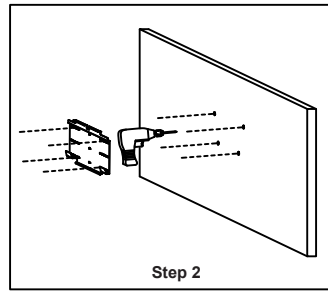
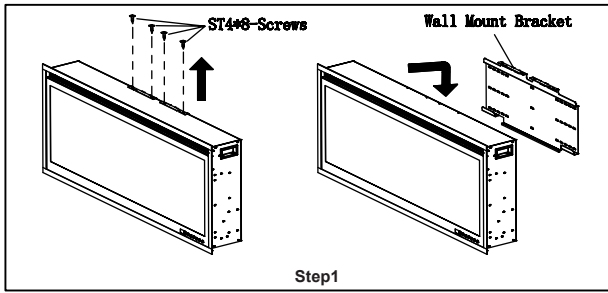
MODEL	BI42Z	BI50Z	BI60Z	BI74Z	BI88Z	BI100Z
A	40.89" (1038.6mm)	48.88" (1241.6mm)	58.88" (1495.6mm)	72.89" (1851.6mm)	86.88" (2206.6mm)	98.88" (2511.6mm)



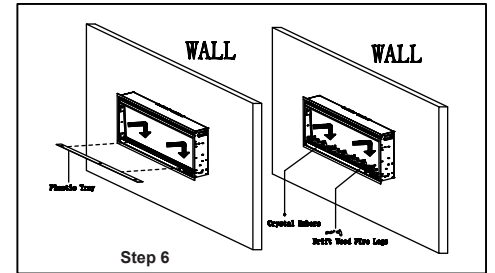
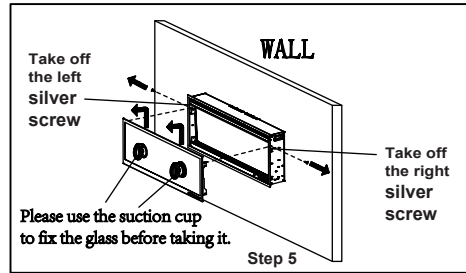
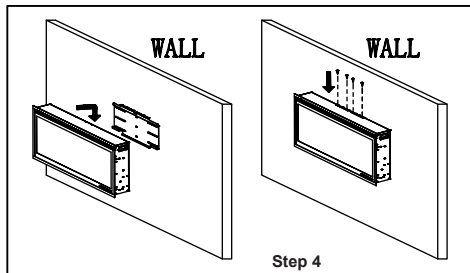
Before installing the in-wall fireplace, please read the following steps carefully.

WALL MOUNTED FIREPLACE STYLE

Remove the four silver colored screws on the top, and take off the wall bracket (See Step 1), Use the screw driver to drill the wall (See Step 2), Use hammer to put the screws into the wall together with the wall bracket (See Step 3).

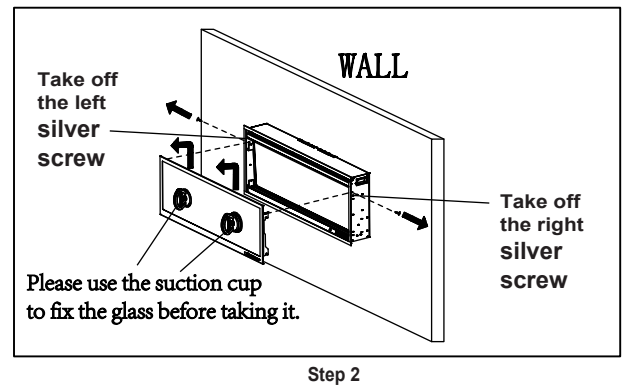
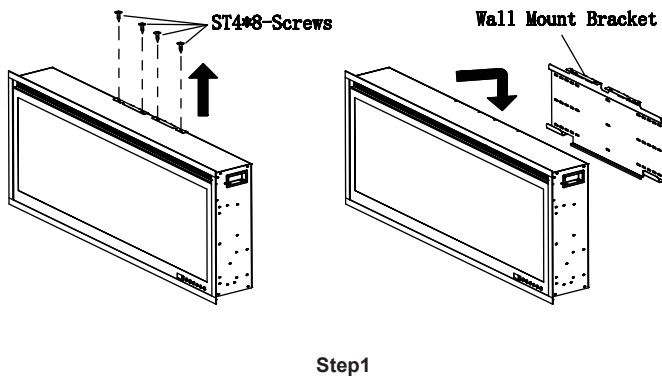


1. Lift fireplace and put it onto the bracket, then lock the pre 4 silver screws on the top (Step 4).
2. Take off the 2 silver screws on the left side and right side. Use a suction cup to hold the glass surface, first take out the glass upwards and then outwards, and find a place to put the glass (Step 5).
3. Put the plastic tray, and put on the crystal and wood fire logs, then lift the glass panel onto the fireplace by 2 screws (Step 6).

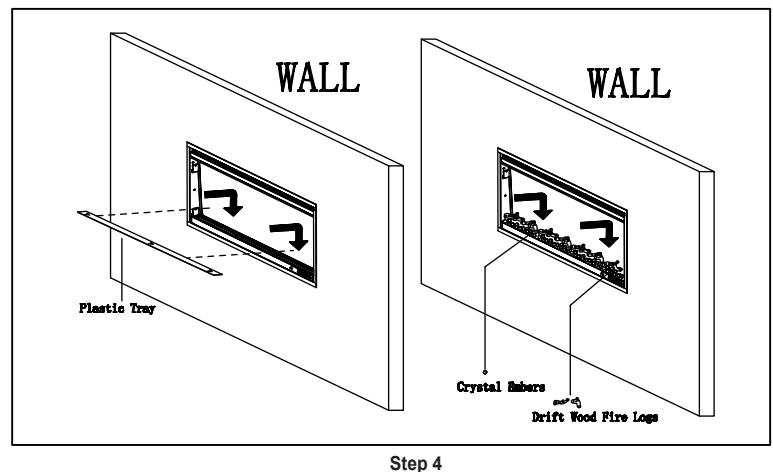
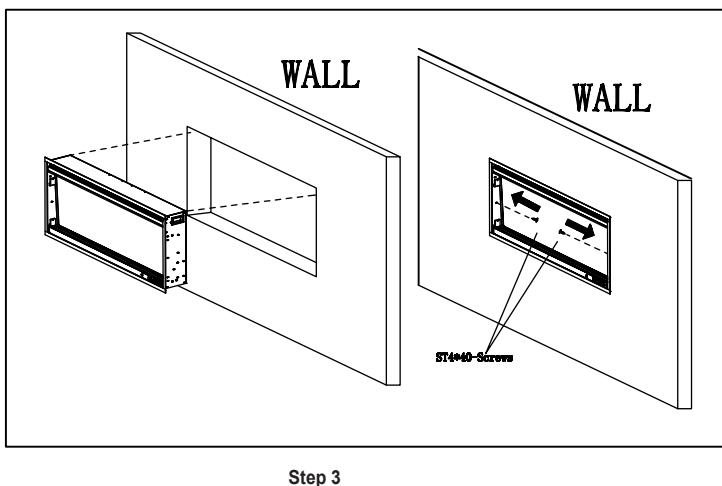


RECESSED FIREPLACE STYLE

1. Take off the 4 silver screws on the top and then take off the wall bracket from the fireplace (See Step 1).
2. Take off the 2 silver screws on the left side and right side. Use a suction cup to hold the glass surface, first take out the glass upwards and then outwards, and find a place to put the glass (See Step 2).



- Put the fireplace into the hole, then fix the 2 silver screws as the photo from the inside of the fireplace (See Step 3).
- Put the plastic tray, and put on the crystal and drift wood fire logs (See Step 4).





This carton includes **GLASS!** ALWAYS use extreme caution when handling glass. Failure to do so could result in personal injury or property damage.

Warning



ALWAYS unplug this fireplace heater before assembly or cleaning, or before relocating. Failure to do so could result in electric shock, fire, or personal injury.

Warning

Please install the glass in the direction of the arrow, and finally remove the suction cup from the glass. After the fireplace is installed, plug in the power and use fireplace (Please do not throw away the suction cup).

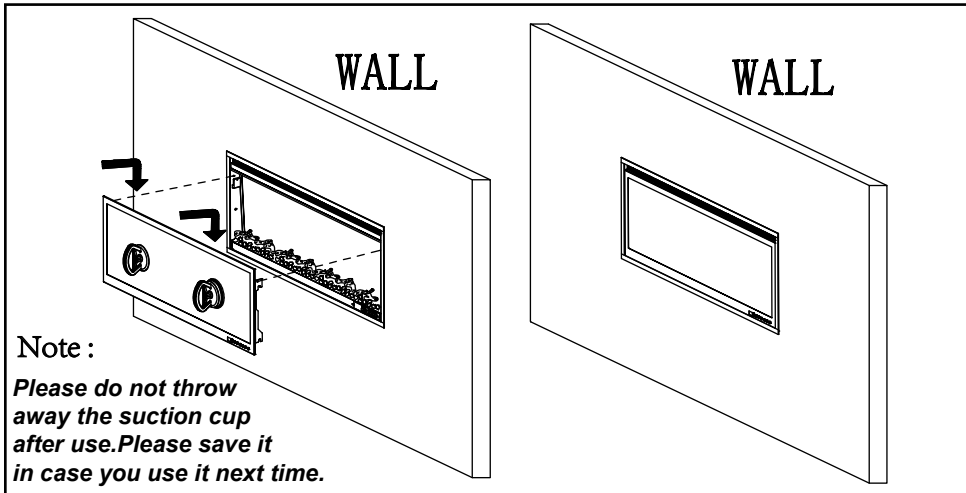


Figure A

Note :

Please do not throw away the suction cup after use. Please save it in case you use it next time.



Take care of the installation of a Glass panel! The manufacturer recommends that two adults install the glass panel. **Always use extreme caution when handling glass. Failure to do so could result in personal injury or property damage.**

Carefully set both hooks of the front glass panel onto the firebox. Note: make sure the glass fully attached to the firebox so that the control panel can work properly. This will keep the decorative glass in place and enable the control panel work well.

OPERATION



Read and understand this entire owner's manual, including **all safety information**, **before plugging in** or **using** this product. Failure to do so could result in **electric shock, fire, serious injury, or death.**

Power

Plug the power cord into a 110-120 Volt 15 Amp outlet. Make sure the outlet is in good condition and that the plug is not loose. NEVER exceed the maximum amperage for the circuit. DO NOT plug other appliances into the same circuit.

Temperature Limiting Control

This heater is equipped with a Temperature Limiting Control. Should the heater reach an unsafe temperature (212°F / 100°C), the heater will automatically turn OFF. To reset:

1. Unplug the power cord from the outlet.
2. Turn the ON/OFF switch on the CONTROL PANEL to OFF. **Wait at least 5 minutes.**
3. Inspect the fireplace to make sure no vents are blocked, or clogged with dust or lint. If they are, use a vacuum to clean the vent areas.
4. With the POWER switch in the OFF position, plug the power cord back into the outlet.
5. If it switches off again, **UNPLUG THE HEATER RIGHT AWAY!** Have the outlets, wiring, and breaker box inspected by a professional. Make necessary repairs before using the heater.

Heater Rating

Maximum Heat Output: 1500 W (5120 BTU); Maximum Heating Area: 400 square feet.

【Special characteristics of this Electric Fireplace】

- 1、 The smouldering glow of the flames can hardly be distinguished from that of a real fireplace.
- 2、 Produces the effect of a hot current of air.
- 3、 Automatic and constant temperature control.
- 4、 Fireplace can be both used as Build-in the wall.
- 5、 Fireplace exchanged freely from LOG and Glass Media.
- 6、 Perfect for small to mid-sized rooms.
- 7、 Timer (1hrs to 9hrs).
- 8、 Operated with remote control and Manual Panel Switch.
- 9、 13 color flame effect
- 10、 Top light effect from orange, blue and purple.