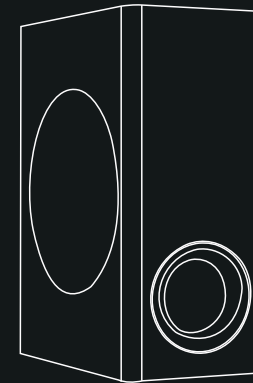
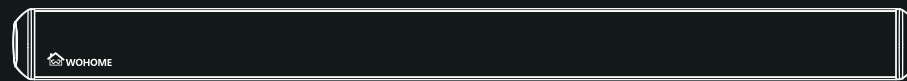


Hi!
Let's get started.



Model:S99

Important Safety Instructions

1. Read these Instructions.
2. Keep these Instructions.
3. Heed all Warnings.
4. Follow all instructions.
5. Do not use this apparatus near water.
6. Clean only with a dry cloth.
7. Do not block any ventilation openings. Install in accordance with the manufacturer's instructions.
8. Do not install near any heat sources such as radiators, heat registers, stoves, or other apparatus (including amplifiers) that produce heat.
9. Do not defeat the safety purpose of the polarized or grounding - type plug. A polarized plug has two blades with one wider than the other. A grounding type plug has two blades and a third grounding prong. The wide blade or the third prong are provided for your safety. When the provided plug does not fit into your outlet, consult an electrician for replacement of the obsolete outlet.
10. Protect the power cord from being walked on or pinched particularly at plugs, convenience receptacles, and the point where they exit from the apparatus.
11. Only use attachments/accessories specified by the manufacturer.



12. Use only with a cart, stand, tripod, bracket, or table specified by the manufacturer, or sold with the apparatus. When a cart is used, use caution when moving the cart/apparatus combination to avoid injury from tip-over.

13. Unplug this apparatus during lightning storms or when unused for long periods of time.
14. Refer all servicing to qualified service personnel. Servicing is required when the apparatus has been damaged in any way, such as power-supply cord or plug is damaged, liquid has been spilled or objects have fallen into the apparatus, the apparatus has been exposed to rain or moisture, does not operate normally, or has been dropped.

Special note: When placing your unit on a lacquered or natural finish, protect your furniture with a cloth or other protective material.

FCC Warnings

WARNING: Changes or modifications to this unit not expressly approved by the party responsible for compliance could void the user's authority to operate the equipment.

This device complies with part 15 of the FCC Rules. Operation is subject to the following two conditions: (1) This device may not cause harmful interference, and (2) this device must accept any interference received, including interference that may cause undesired operation.

NOTE: This equipment has been tested and found to comply with the limits for a Class B digital device, pursuant to Part 15 of the FCC Rules. These limits are designed to provide reasonable protection against harmful interference in a residential installation. This equipment generates, uses, and can radiate radio frequency energy and, if not installed and used in accordance with the instructions, may cause harmful interference to radio communications. However, there is no guarantee that interference will not occur in a particular installation. If this equipment does cause harmful interference to radio or television reception, which can be determined by turning the equipment off and on, the user is encouraged to try to correct the interference by one or more of the following measures:

- Reorient or relocate the receiving antenna.
- Increase the separation between the equipment and receiver.
- Connect the equipment into an outlet on a circuit different from that to which the receiver is connected.
- Consult the dealer or an experienced radio/TV technician for help.

FCC Radiation Exposure Statement:

This equipment complies with FCC radiation exposure limits set forth for an uncontrolled environment. This equipment should be installed and operated with minimum distance 20cm between the radiator & your body.

Additional Warnings

The apparatus shall not be exposed to dripping or splashing and that no objects filled with liquids, such as vases, shall be placed on apparatus.

L'appareil ne doit pas être exposé aux écoulements ou aux éclaboussures et aucun objet ne contenant de liquide, tel qu'un vase, ne doit être placé sur l'objet.

Battery shall not be exposed to excessive heat such as sunshine, fire or the light.

Les piles ne doivent pas être exposées à de forte chaleur, tel qu'à la lumière du soleil, au feu ou autres choses de semblable.

Caution marking is located at the rear or bottom of the apparatus.

Attention marquage est situé sur le panneau arrière ou inférieur de l'unité.

The marking information is located at the rear or bottom of apparatus.

Le marquage est situé sur le panneau arrière ou inférieur de l'unité.

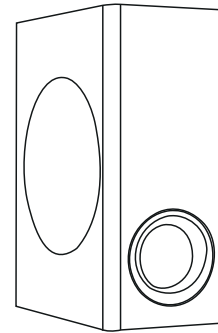


This symbol indicates that this product incorporates double insulation between hazardous mains voltage and user accessible parts.

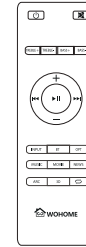
01 Checking the Components



Soundbar



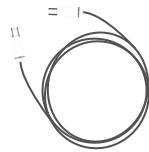
Subwoofer



Remote control



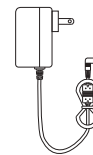
User's guide



Digital Optical cable



Stereo RCA to
3.5mm audio cable



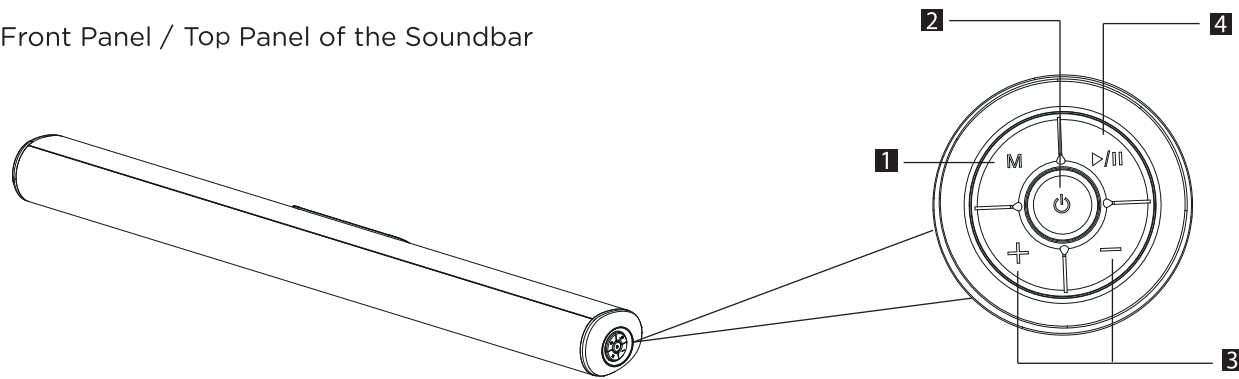
Power adapter



Mount screws

02 Product Overview

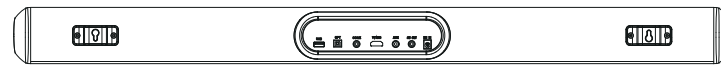
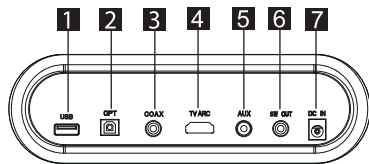
Front Panel / Top Panel of the Soundbar



1	Short Press to change the input mode, LED screen show current mode.
2	Power on/off button
3	Long press to adjust the volume, when adjusting, LED screen will showed the number Short press to preu song or next song under BT and USB mode
4	Pause/play under BT and USB mode; mute/unmute under the AUX, optical AND coaxial mode.

- When you plug in the power cord, the buttons will begin working in 2 to 4 seconds.
- If you want to enjoy sound only from the Soundbar, you must turn off the TV's speakers in Audio Setup menu of your TV. Refer to the user manual supplied with your TV

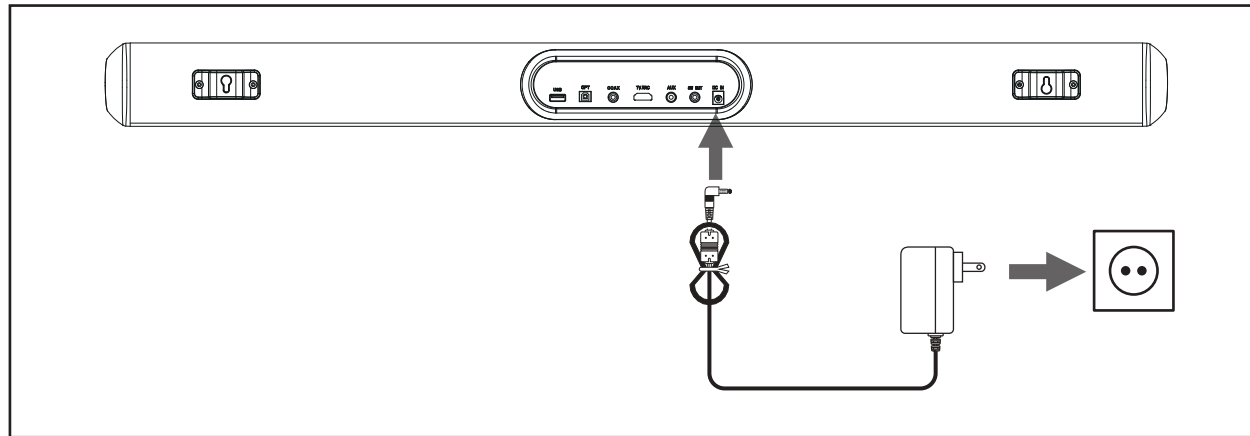
Bottom Panel of the Soundbar



1	USB, connect a USB device here to play music files on the USB device through the Soundbar.
2	Digital Audio In (optical), connect to the digital (optical) output of an external device.
3	Coaxial Audio In (coaxial), connect to the digital (coaxial) output of an external device.
4	TV ARC, connect to the ARC output of external device.
5	AUX , connect to the Analog output of an external device.
6	SUB OUT, this Terminal only for connecting to the subwoofer.
7	DC IN (Power Supply In), connect the AC/DC power adapter.

- When disconnecting the power cable of the DC/AC power adapter from a wall outlet, pull the plug. Do not pull the cable.
- Do not connect this unit or other components to an AC outlet until all connections between components are complete.

03 Connecting Electrical Power

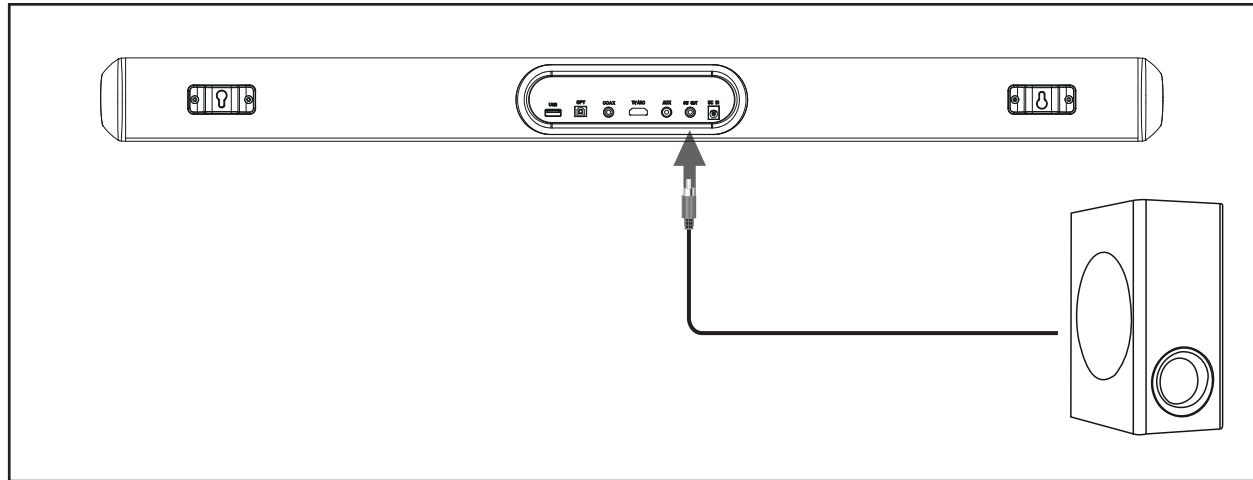


1. Using the power adapter to connect the unit to electrical outlet in the figure

2. Press the power button to power on the Soundbar (LED screen will turn on)

- Make sure to rest the AC/DC adapter flat on a table or the floor. If you place the AC/DC adapter so that it is hanging with the AC cord input facing upwards, water or other foreign substances could enter the adapter and cause the adapter to malfunction.

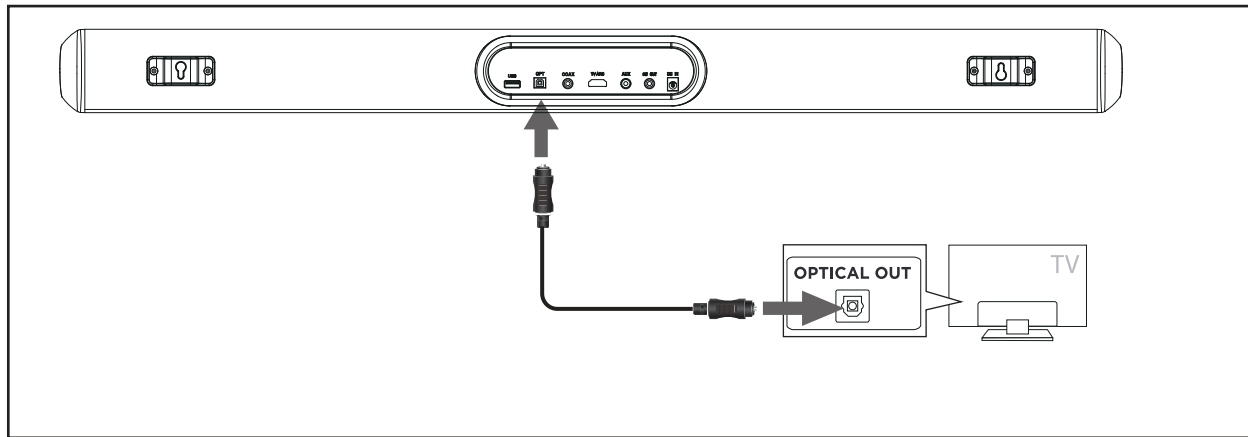
04 Soundbar connect to subwoofer



Insert the subwoofer plug into the SW port of the sound bar.

05 Connecting with a TV (Choose only 1 method)

Method 1. Connecting using Optical cable

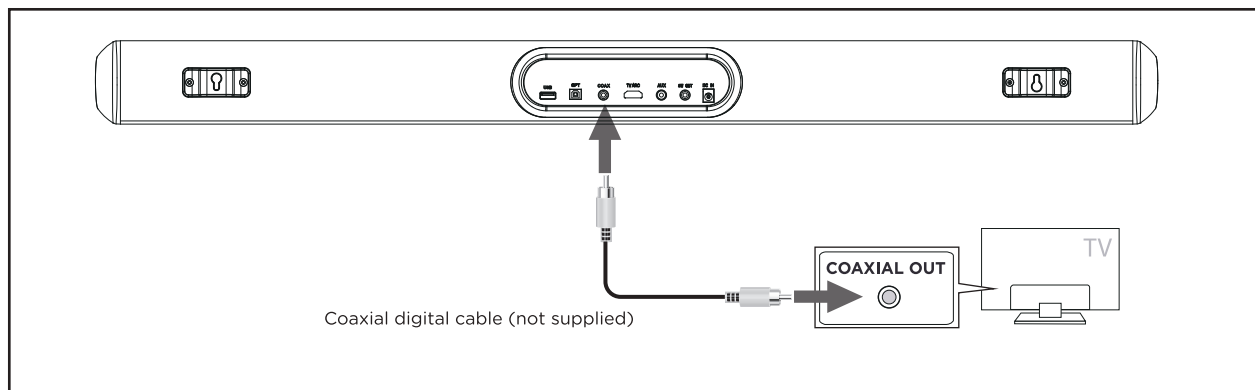


1. Connect the DIGITAL AUDIO IN(OPTICAL) jack on the Soundbar to the OPTICAL OUT jack of the TV with a digital optical cable

2. Select "OPT" on LED screen by pressing the "OPT" button on the remote.

- You must use Soundbar's remote to power on or control the volume under this connection.
- If no sound or cracking noise, set your TV's audio output to "PCM".
- Take the caps off on the OPTICAL jack
- Please disable the TV internal speaker through TV audio setting,select the external speaker.

Method 2. Connecting using Coaxial cable

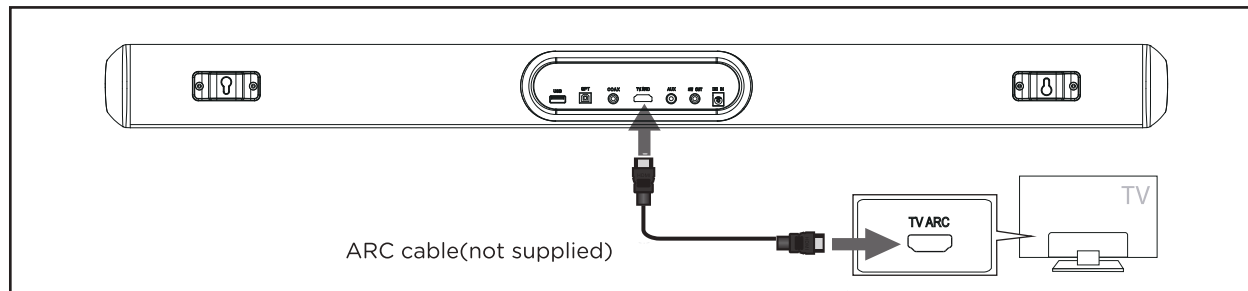


1. With the Soundbar and TV turned off, connect the Coaxial cable as shown.

2. Turn on the TV and soundbar, select "COA" on LED screen by pressing the "INPUT" button on the remote.

- You must use Soundbar's remote to power on or control the volume under this connection.
- If no sound or cracking noise, set your TV's audio output to "PCM". (Refer to TV's manual)
- Please disable the TV internal speaker through TV audio setting, select the external speaker.

Method 3. Connecting using ARC cable



1. TV ARC connection transmits digital audio signals between devices. If your TV has a TV ARC connector, using them will provide the best possible audio performance quality.
 - Using a Version 1.4 or above of TV ARC cable (not supplied).
 - Connect the cable to the TV's TV ARC out to the Soundbar TV ARC in.
 - Turn on the TV and soundbar, select "ARC" on LED screen by pressing the "ARC" button on the remote or control panel.
2. If your TV is equipped with TV ARC function, you can deliver its sound to the Soundbar via the TV ARC TV out connection. It will not require additional audio connections to the Soundbar. The ARC signal is active when the TV ARC source is selected. The detailed benefits are as follows:
 - TV remote control is able to control the power on or off the Soundbar.
 - TV remote control is able to control the volume up or down of the Soundbar.

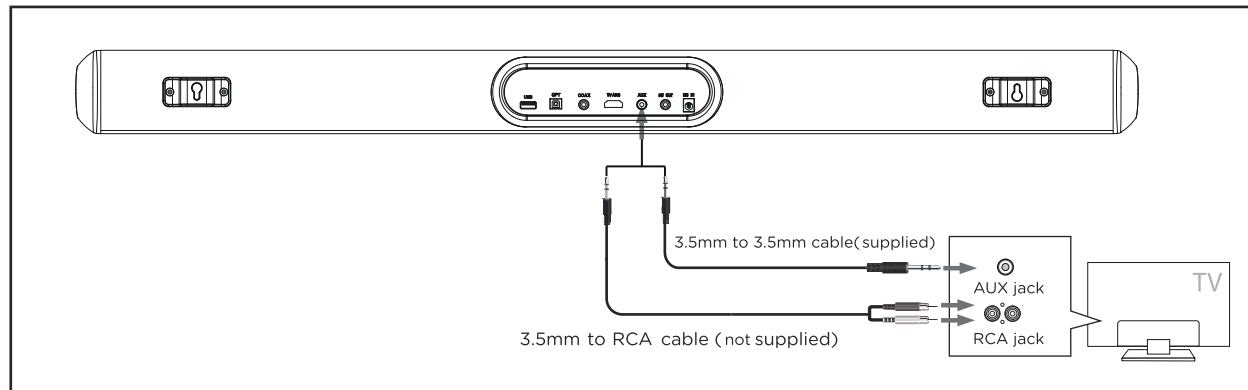
Remarks:

- The transmission of digital audio signals between devices is not workable for all the TV brands in the markets because the branded TVs are not cross-brand compatible to each other.
- Use your source device (such as a TV, CD player, or cable tellite receiver). The audio output mode is set to PCM, or turn on the sound source output.

Good to know for TV setting

- 1: Please note almost all the TV audio output is the analog signal and the internal speaker, but the optical cable and coaxial cable is the digital signal, so when you want to hook up the soundbar on your TV through optical or coaxial cable, you must change the TV audio output to digital output(PCM or SPDIF) and external speaker
- 2: How to set PCM on your TV
 - 1.Enter your TV's settings menu
 - 2.Select the Audio or sound settings option
 - 3.Select the audio out or digital out setting
 - 4.Change setting to PCM(some TVs called SPDIF)
- 3: how to disable the TV internal speaker
 - 1.Enter your TV's settings menu
 - 2.Select the Audio or sound settings option
 - 3.Select the TV speaker
 - 4.Select the Extenral speaker(or disable the TV speaker)
- 4: Please kindly make sure you have changed the TV audio output correctly, if TV still no sound, or output crack sound, or popping sound, please kindly share your TV brand, model number,and order ID with us through service mail:service@wohomeshop.com , so we can guide you to fix the problem.
- 5: If you do not know how to set the TV audio to PCM, please kindly refer to your TV manual or call the TV manufacturer for help.

Method 4. Connecting via AUX

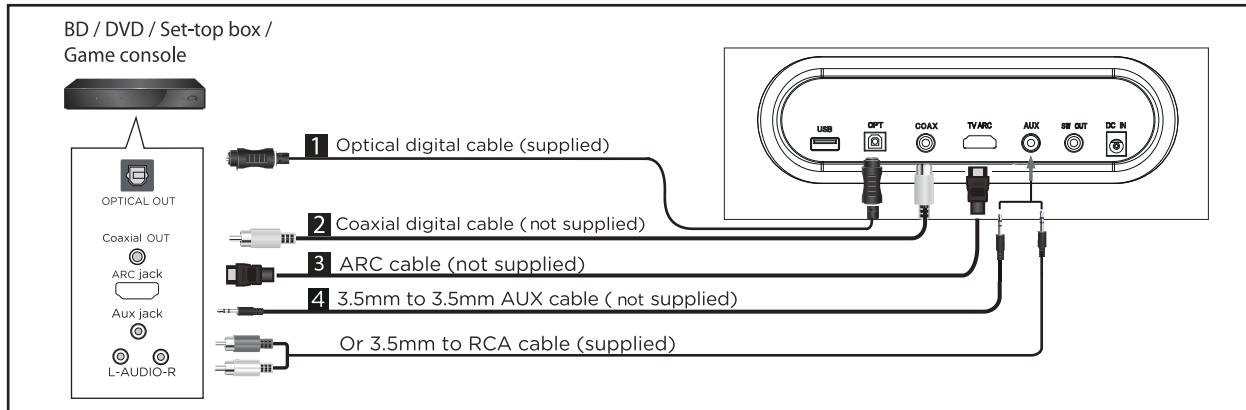


1. Use the 3.5mm to RCA audio cable (not supplied) to connect the TV's stereo RCA(L/R) Audio output socket to the AUX jack of the unit.
Or use the 3.5mm to 3.5mm audio cable to connect the TV's AUX output jack to the AUX jack of the Speaker.

2. Select "AUX" on LED screen by pressing the "INPUT" button on the remote.

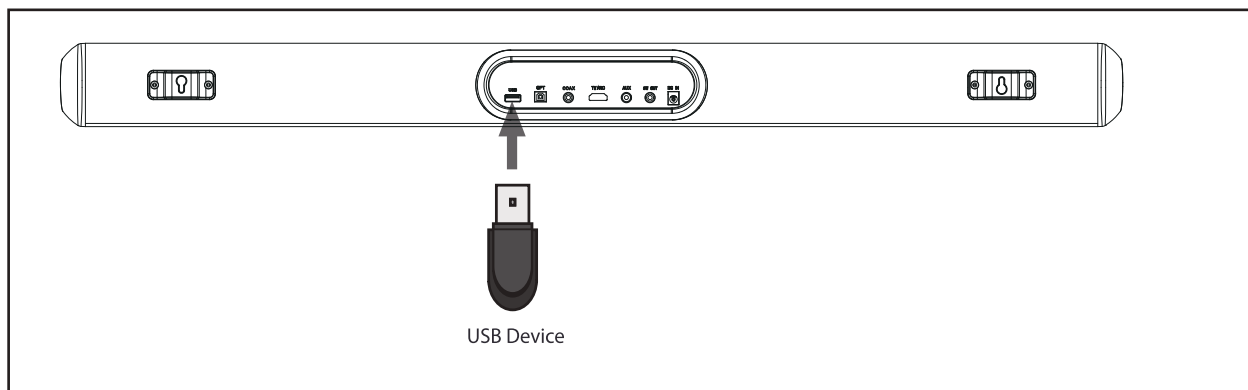
- If no sound or echo, set your TV's audio output to external speaker. Press the home or menu button on the TV remote, go to TV setting --- sound --- TV speaker --- select the external speaker (disable the TV speaker), more detail, please refer to TV manual.
- Choose only one connection from above, it depends on your TV's audio output jack.
- In this model, the TV's remote control can adjust the volume. (For some TVs, please press home or menu on the remote go to TV setting --- Sound --- Analog output --- select "Variable")

06 Connecting an External Device



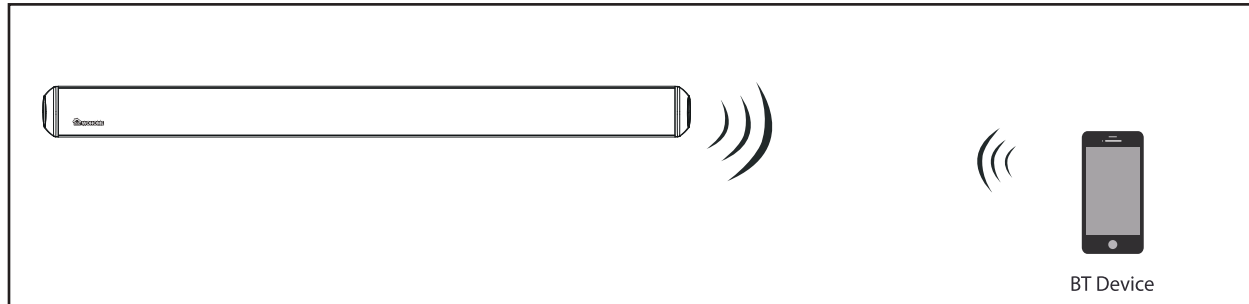
- 1** Optical Cable
 1. Connect DIGITAL AUDIO (OPTICAL) on the Soundbar to the OPTICAL OUT jack of the Source Device using a digital optical cable.
 2. Select "OPT" on LED screen by pressing the "OPT" button on the remote or control panel.
 3. please change your device audio output to PCM and disable the device internal speaker.
- 2** Coaxial Cable
 1. Connect DIGITAL AUDIO (Coaxial) on the Soundbar to the Coaxial OUT jack of the Source Device using a digital Coaxial cable.
 2. Select "COA" on LED screen by pressing the "INPUT" button on the remote or control panel.
 3. please change your device audio output to PCM and disable the device internal speaker.
- 3** ARC cable.
 1. Connect TV ARC on the soundbar to the ARC jack of the source device using a ARC cable.
 2. Select "ARC" on LED screen by pressing the "ARC" button on the remote or control panel.
 3. Please change your device audio output to PCM and disable the device internal Speaker.
- 4** 3.5mm to 3.5mm AUX Cable or 3.5mm to RCA cable
 1. Using the 3.5mm to 3.5mm AUX cable or 3.5mm to RCA cable to connect External Device and Soundbar.
 2. Select "AUX" on LED screen by pressing the "INPUT" button on the remote or control panel.

07 Connecting a USB



1. Connect your USB device to the USB jack on the Soundbar.
2. Select "USB" on LED screen by pressing the "INPUT" button on the remote.
3. Play music files from the USB device through the Soundbar.

08 Connecting a BT Device

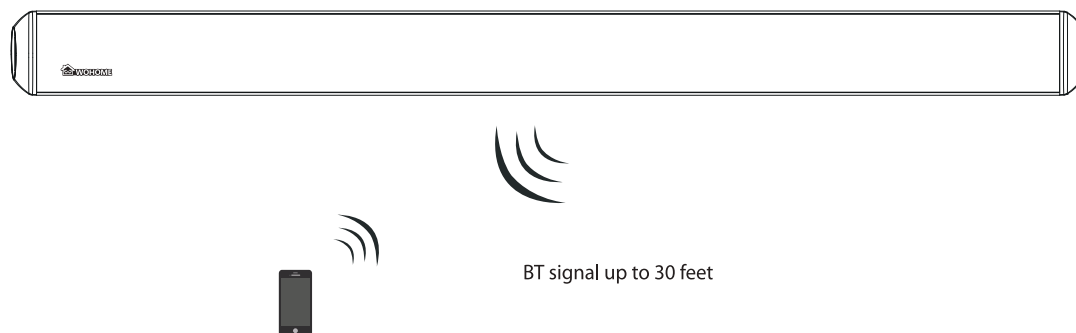


The initial connection

1. Select "BT" on LED screen by pressing the "BT" button on the remote.
 2. Turn on BT on the BT device. (see the device's manual for more information)
 3. Select "WOHOME S99" from the list, connect it. When your BT device is connected, the LED screen will keep displaying BT .
 4. Play music files from the device, connected via BT, through the Soundbar.
- You cannot connect more than one BT device at a time.

Additional BT information

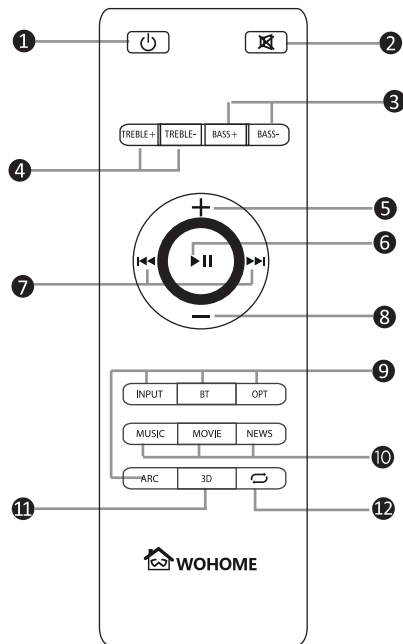
1. If you hear any break-up while streaming music from your device, move closer to your Soundbar.
2. BT signal has a range of up to 30 feet if there are no solid obstructions between your Soundbar and source device.
3. Other wireless devices may interfere with BT range, including wireless video monitors, cordless phones, wireless cameras, etc., moving or turning off these devices may improve BT range.



- Reduce the volume on your device or Soundbar, high volume can damage your hearing.

10 Know Your Remote

Power the remote by inserting 2 pcs of AAA batteries



①	Turns the Soundbar on and off.
②	Press the button to mute and unmute.
③	It can adjust the Bass volume in mode of DEFAULT.
④	It can adjust the Treble volume in mode of DEFAULT.
⑤	Press to increase the volume.
⑥	Pause/play under the mode of USB/BT, Mute under the mode of RCA in, Optical and Coaxial.
⑦	Next/Previous song under the mode of USB/BT
⑧	Decreasing the volume.
⑨	Choose the mode of the BT/USB/ARC/OPT/COAX/AUX.
⑩	Press the button to select a desired mode: MUSIC (EQ1), MOVIE (EQ2), NEWS (EQ3).
⑪	3D surround stereo sound
⑫	Loop playback (USB mode only)

Troubleshooting

No Sound	<ol style="list-style-type: none"> 1. Please check if the soundbar is consistent with the input mode of Sound Source by following the manual. 2. Press the Volume+ button on the remote or soundbar to volume up. 3. Please check the output devices if the output of sound source is working. 	Please make sure all the soundbar ports are input ports and all the connected devices are audio output.
No sound when TV is connected with optical.	<ol style="list-style-type: none"> 1. Set up the optical output. 2. Set up the audio output format--PCM. 3. Adjust to optical mode, and the Led indicates white lightning. 4. Please check if the optical is connected with TV effectively. 5. Volume up the soundbar. 	Please take out the transparent antidust caps on two sides of optical. One side of optical indicates the white lightning when TV is connected well, and then plug the other side of optical into the optical port of soundbar.
Devices can't connect with BT	<ol style="list-style-type: none"> 1. Select "BT" on LED screen by pressing the "BT" button on the remote. 2. Reboot the cellphone or bluetooth devices, search again. 3. Please make sure the soundbar is disconnected with other BT devices, shut off and try again. 4. Please check if there is strong interfering signal around, such as: WIFI, 2.4G; try to use in other space. 5. Please try to use other BT devices to test if the BT device has problem of its own. 	The BT is only connected with one device, other devices cant search it when it has connected.
The distance of BT is short or on and off	<ol style="list-style-type: none"> 1. Please check if there is strong interfering signal around, such as: WIFI, 2.4G; try to use in other space. 2. Reboot the cellphone or BT devices, then reconnect. 3. Please make sure there is no obstacle between the soundbar and BT device in case of blocking the signal. 4. Power off the soundbar and then reboot. 	The working distance of BT is 10m (empty place).

The remote is not working	<ol style="list-style-type: none"> 1. Please check if the positive and negative of battery is right. (There is noted on the battery's compartment) 2. Please check if the receiving location is blocked beside the LED on soundbar. 3. The working distance of remote is 6-8m (empty place). 	Please make sure all the soundbar ports are input ports and all the connected devices are audio output.
The sound is low or bad	<ol style="list-style-type: none"> 1. Please make sure if the volume of output device is big. 2. Please try to play with other devices to test if the working device has problem of its own. 3. The product is designed for home, it would be much better if the space is moderate. 	The location of soundbar can affect your experience in some extent.
The sound is inconsistent with the sound of TV	Please set up and shut off the sound of TV.	Check the TV's manual.
BT can't be connected	<ol style="list-style-type: none"> 1. Check if the Sound Bar is connected with the third BT device. 2. Be sure that there are no solid obstructions between the Sound Bar and source device. (Within 30 feet) 3. Press and hold BT button on remote for 3 seconds, and connect it again. 	LED screen keeping display BT.
Warranty	We offer one year warranty and 45 days money back guarantee.	If there is any problems, please feel free to contact us through service mail: support@wohomeshop.com, and we will try our best to help you.
No sound or crack sound from streaming video APP	Please note the streaming video APP default audio if Dolby or DTS, such as Netflix, Youtube, Amazon prime video, Hulu and HBO, but this soundbar do not support the Dolby and DTS.	<p>Please kindly disable the Dolby and DTS on your app. here is the method for Netflix in below:</p> <p>Step 1, launch the Netflix APP</p> <p>Step 2, Select the TV show or Movie</p> <p>Step 3, While your TV show or movie is playing, press the Down arrow on your remote</p> <p>Step 4, Select Audio&Subtitles, disable the Dolby and DTS, save settings</p> <p>Step 5, play the video to test sound</p> <p>Kindly note the method may differ according to your device, more method, please visit this link: https://help.netflix.com/en/node/372</p>

11 Important Notes About Service

Figures and illustrations in this User Manual are provided for reference only and may differ from actual product appearance.

12 Specifications

Sound Bar:	Four Full Rang Drivers +5.25" Subwoofer
Inputs:	One AUX Stereo Audio One USB One ARC BT (Wireless) One Optical One Coaxial
Sound Pressure Level (System):	110 dB
Frequency Response (System):	50 Hz to 20KHz
Compliances:	FCC
Place of Origin:	China

Thanks for reading!

For more information, please follow us:

Web: www.wohomeshop.com
Email: service@wohomeshop.com
Facebook : <https://www.facebook.com/wohomeshop.support>
Twitter: <https://twitter.com/wohomeshop>
Instagram: <https://www.instagram.com/wohomeshop/>

NOTE: One year warranty, 45 days money back guarantee, lifetime technical support, 100% satisfaction service, please feel free to contact us for any questions.