


# Hi!

## Let's get started.



Model: S66

# Important Safety Instructions

1. Read these Instructions.
  2. Keep these Instructions.
  3. Heed all Warnings.
  4. Follow all instructions.
  5. Do not use this apparatus near water.
  6. Clean only with a dry cloth.
  7. Do not block any ventilation openings. Install in accordance with the manufacturer's instructions.
  8. Do not install near any heat sources such as radiators, heat registers, stoves, or other apparatus (including amplifiers) that produce heat.
  9. Do not defeat the safety purpose of the polarized or grounding - type plug. A polarized plug has two blades with one wider than the other. A grounding type plug has two blades and a third grounding prong. The wide blade or the third prong are provided for your safety. When the provided plug does not fit into your outlet, consult an electrician for replacement of the obsolete outlet.
  10. Protect the power cord from being walked on or pinched particularly at plugs, convenience receptacles, and the point where they exit from the apparatus.
  11. Only use attachments/accessories specified by the manufacturer.
- 
12.  Use only with a cart, stand, tripod, bracket, or table specified by the manufacturer, or sold with the apparatus. When a cart is used, use caution when moving the cart/apparatus combination to avoid injury from tip-over.
- 

13. Unplug this apparatus during lightning storms or when unused for long periods of time.
14. Refer all servicing to qualified service personnel. Servicing is required when the apparatus has been damaged in any way, such as power-supply cord or plug is damaged, liquid has been spilled or objects have fallen into the apparatus, the apparatus has been exposed to rain or moisture, does not operate normally, or has been dropped.

**Special note:** When placing your unit on a lacquered or natural finish, protect your furniture with a cloth or other protective material.

## FCC Warnings

**WARNING:** Changes or modifications to this unit not expressly approved by the party responsible for compliance could void the user's authority to operate the equipment.

This device complies with part 15 of the FCC Rules. Operation is subject to the following two conditions: (1) This device may not cause harmful interference, and (2) this device must accept any interference received, including interference that may cause undesired operation.

**NOTE:** This equipment has been tested and found to comply with the limits for a Class B digital device, pursuant to Part 15 of the FCC Rules. These limits are designed to provide reasonable protection against harmful interference in a residential installation. This equipment generates, uses, and can radiate radio frequency energy and, if not installed and used in accordance with the instructions, may cause harmful interference to radio communications. However, there is no guarantee that interference will not occur in a particular installation. If this equipment does cause harmful interference to radio or television reception, which can be determined by turning the equipment off and on, the user is encouraged to try to correct the interference by one or more of the following measures:

- Reorient or relocate the receiving antenna.
- Increase the separation between the equipment and receiver.
- Connect the equipment into an outlet on a circuit different from that to which the receiver is connected.
- Consult the dealer or an experienced radio/TV technician for help.

FCC Radiation Exposure Statement:

This equipment complies with FCC radiation exposure limits set forth for an uncontrolled environment. This equipment should be installed and operated with minimum distance 20cm between the radiator & your body.

## Additional Warnings

The apparatus shall not be exposed to dripping or splashing and that no objects filled with liquids, such as vases, shall be placed on apparatus.  
*L'appareil ne doit pas être exposé aux écoulements ou aux éclaboussures et aucun objet ne contenant de liquide, tel qu'un vase, ne doit être placé sur l'objet.*

Battery shall not be exposed to excessive heat such as sunshine, fire or the light.

*Les piles ne doivent pas être exposées à de forte chaleur, tel qu'à la lumière du soleil, au feu ou autres choses de semblable.*

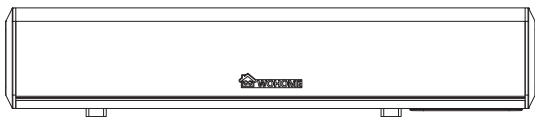
Caution marking is located at the rear or bottom of the apparatus.  
*Attention marquage est situé sur le panneau arrière ou inférieur de l'unité.*

The marking information is located at the rear or bottom of apparatus.  
*Le marquage est situé sur le panneau arrière ou inférieur de l'unité.*



This symbol indicates that this product incorporates double insulation between hazardous mains voltage and user accessible parts.

# 01 Checking the Components



Soundbar



Remote control



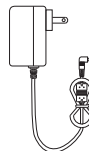
User's guide



Digital Optical cable



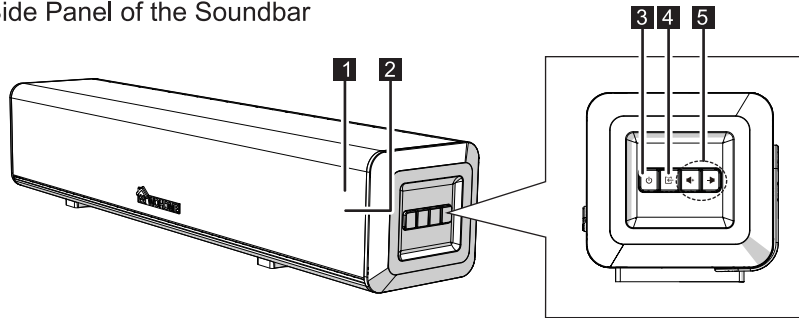
Stereo RCA to  
3.5mm audio cable



Power adapter

## 02 Product Overview

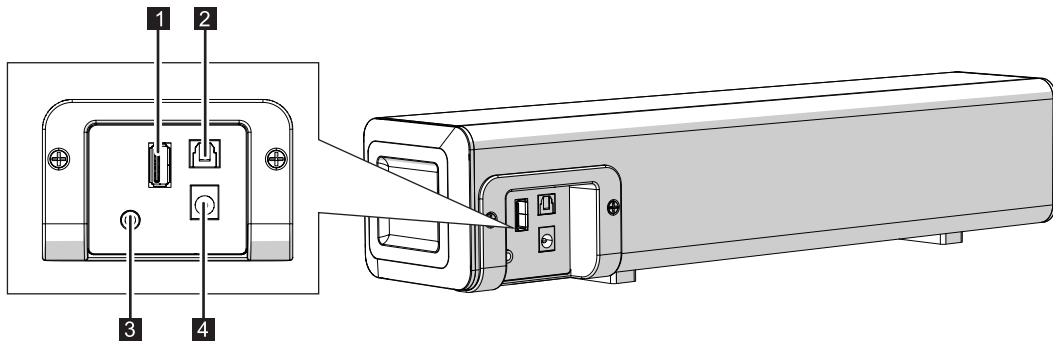
### Front Panel / Right Side Panel of the Soundbar



<b>1</b>	LED indicator, display different color and current mode. Power ON/OFF --- Red Light      BT --- Blue Light      USB --- Purple Light Optical --- White Light      AUX --- Green Light
<b>2</b>	Remote Control Sensor.
<b>3</b>	Press to switch the unit on/off.
<b>4</b>	Select the modes (BT, OPTICAL, AUX, USB).
<b>5</b>	Adjusts the volume, when adjusting, the LED indicator flashes until the volume to the MAX or MIN.

- When you plug in the power cord, the buttons will begin working in 2 to 4 seconds.
- If you want to enjoy sound only from the Soundbar, you must turn off the TV's speakers in Audio Setup menu of your TV. Refer to the user manual supplied with your TV

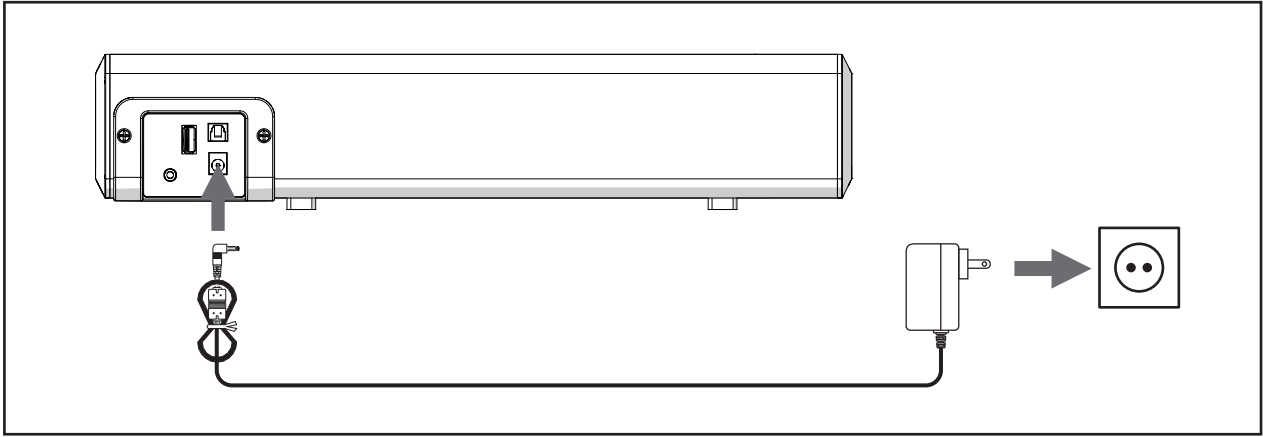
## Bottom Panel of the Soundbar



- |          |  |
|----------|--|
| <b>1</b> | USB, connect a USB drive here to play music files on the USB drive through the Soundbar.   |
| <b>2</b> | Digital Audio in (optical), connect to the digital (optical) output of an external device. |
| <b>3</b> | AUX IN socket.   |
| <b>4</b> | DC IN (Power Supply in), connect the supplied AC/DC power adapter.                         |

- When disconnecting the power cable of the DC/AC power adapter from a wall outlet, pull the plug. Do not pull the cable.
- Do not connect this unit or other components to an AC outlet until all connections between components are complete.

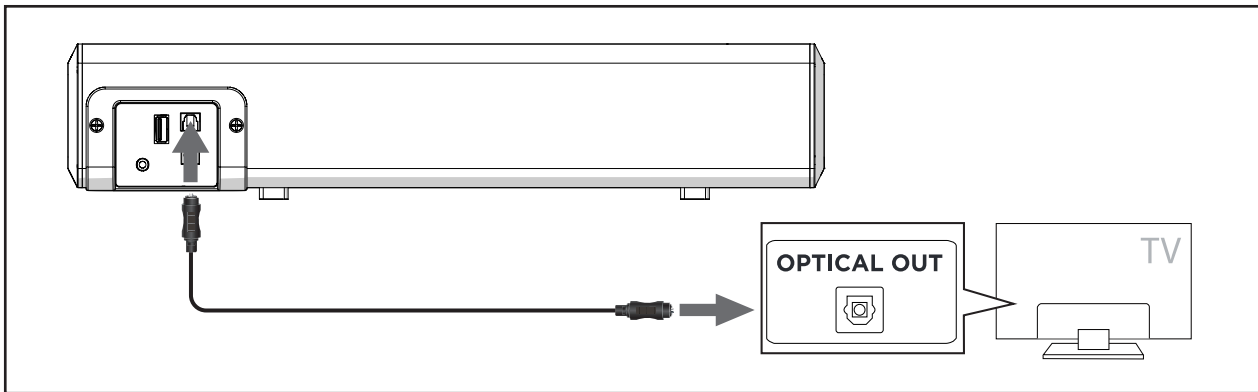
## 03 Connecting Electrical Power



1. Using the power adapter to connect the unit to electrical outlet in the figure
  2. Press the power button to power on the Soundbar (LED indicator is on)
- Make sure to rest the AC/DC adapter flat on a table or the floor. If you place the AC/DC adapter so that it is hanging with the AC cord input facing upwards, water or other foreign substances could enter the adapter and cause the adapter to malfunction.

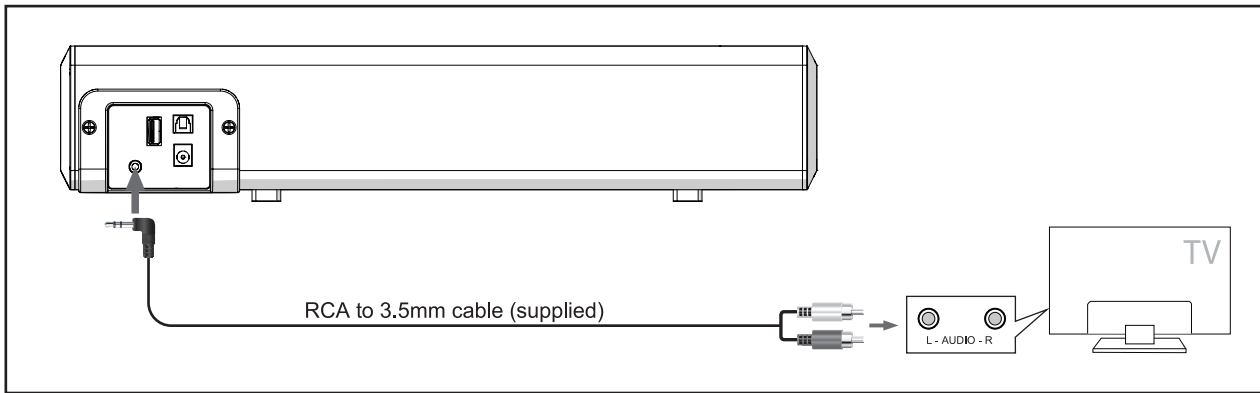
## 04 Connecting with a TV (Choose only 1 method)

### Method 1. Connecting using Optical cable



1. Connect the DIGITAL AUDIO IN(OPTICAL) jack on the Soundbar to the OPTICAL OUT jack of the TV with a digital optical cable.
2. Press the “ OPTICAL ” button on the remote or on main unit to switch to optical mode, and the LED indicator will be WHITE .
  - You must use Soundbar’s remote or on main unit Volume key to power on or control the volume under this connection.
  - If no sound or cracking noise, set your TV’s audio output to “PCM” and external speaker.
  - Take the caps off on the OPTICAL jack.

## Method 2. Connecting via AUX IN



1. Connect AUX IN on the soundbar to the AUDIO OUT(L/R) jack of the TV using the 3.5mm to 3.5mm cable.

2. Select " GREEN " led indicator by pressing the " AUX " button on the remote or on main unit to switch to AUX mode.

- If no sound or echo, set your TV's audio output to external speaker. Press the home or menu button on the TV remote, go to TV setting --- sound --- TV speaker --- select the external speaker (disable the TV speaker), more detail, please refer to TV manual.
- Choose only one connection from above, it depends on your TV's audio output jack.
- In this model, the TV's remote control can adjust the volume. (For some TVs, please press home or menu on the remote go to TV setting --- Sound --- Analog output --- select "Variable")



## Additional information: How to change my TV to PCM

Step 1: Press "Menu" on the remote control. If you do not have a remote control, press "Menu" on the television.

Step 2: Press the arrow keys on the remote to scroll to "Audio Settings." If you do not have a remote control, press the "Volume Up" and "Volume Down" buttons to scroll.

Step 3: Press "OK" on the remote control. Press "Enter" on the television if you do not have a remote. If the television does not have an "Enter" button, the "Menu" button is often used.

Step 4: Scroll to "Advanced Audio" and press "OK." Some televisions may not have an "Advanced Audio" menu and may list various audio settings instead.

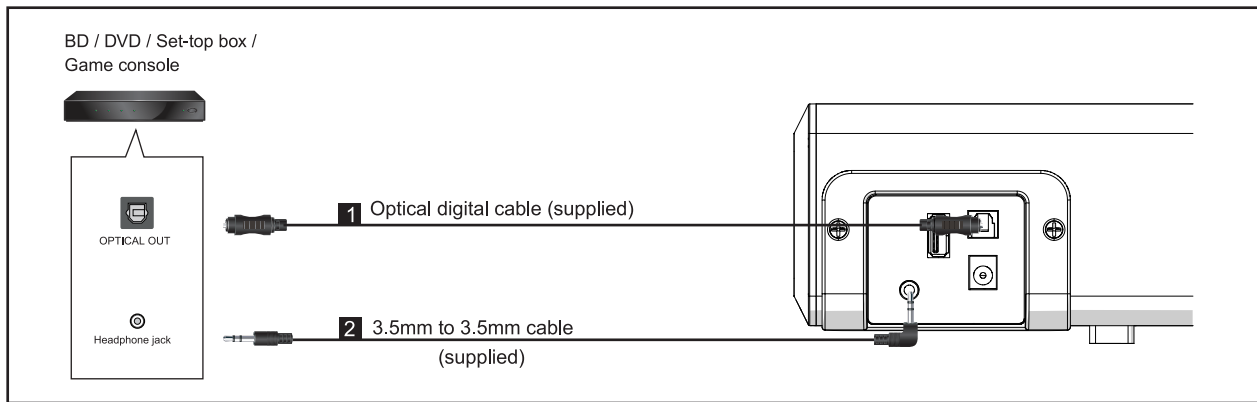
Step 5: Scroll to "Audio Output Mode" or "Digital Audio Output Mode" and press "OK."

Step 6: Scroll until "PCM" is displayed as the current audio output.

Step 7: Press "OK" to save the settings.

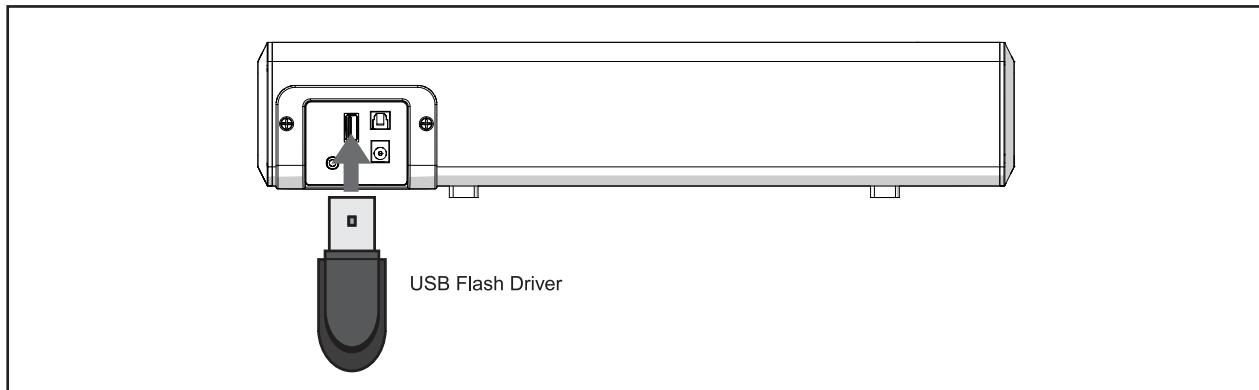
- Depending on the model of television, steps may be different, please refer to TV's manual.

## 05 Connecting an External Device



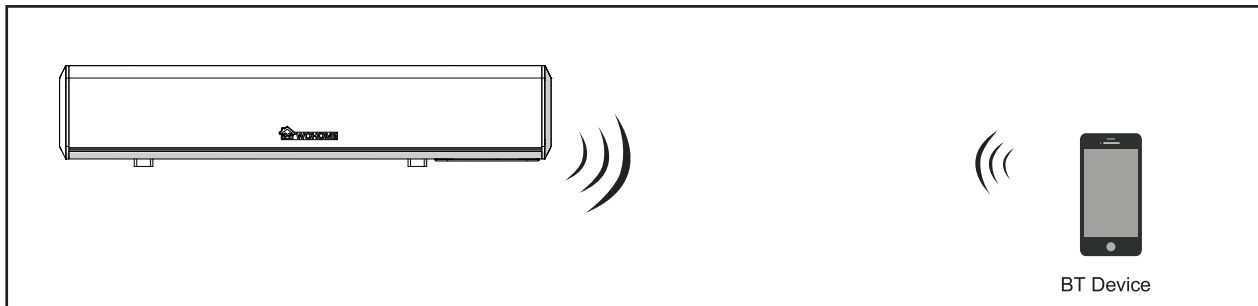
- 1 Optical Cable** (when you use optical cable connection, please remove the transparent plastic covers from the top of cable firstly)
  1. Connect DIGITAL AUDIO ( OPTICAL ) on the Soundbar to the OPTICAL OUT jack of the Source Device using a digital optical cable.
  2. Select “ WHITE ” led indicator by pressing the “ OPTICAL ” button on the remote or on main unit to switch to optical mode.
  3. Please change the device audio output to PCM when optical setup.
- 2 3.5mm to 3.5mm Cable**
  1. Using the 3.5mm to 3.5mm cable to connect external device and soundbar.
  2. Select GREEN led indicator accordingly by pressing the button on the remote( AUX ) or on main unit to switch to AUX mode.

## 06 Connecting a USB



1. Connect your USB drive to the USB jack on the Soundbar.
2. Press the “ USB” button on the remote or on main unit to switch to USB mode, and the LED indicator will be “ LIGHT BLUE ”.
3. Play music files from the USB device through the Soundbar.

## 07 Connecting a BT Device

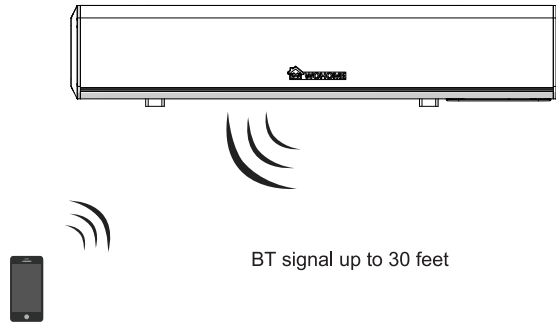


The initial connection

1. Press the “ BT” button on the remote or on main unit to switch to Bluetooth mode, the LED indicator blinks Flashing Blue.
  2. Turn on BT on the BT device. (see the device’s manual for more information)
  3. Select “ WOHOME S66 ” from the device BT list, connect it. When your BT device is connected, the LED lighting will Stop flashing after BT connection
  4. Play music files from the connected device via BT, through the Soundbar.
- You cannot connect more than one BT device at a time.
  - If your device requests a password, enters the default “0000”.

## Additional BT information

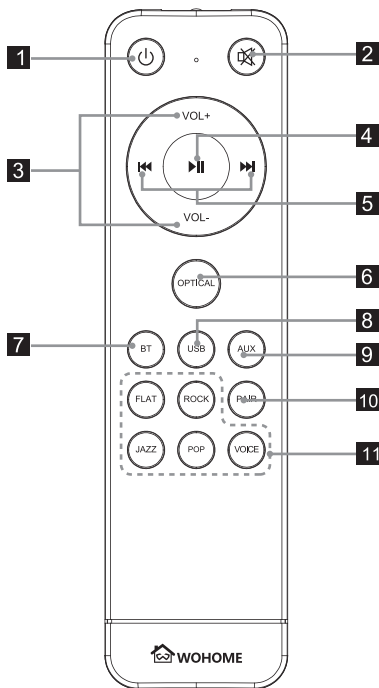
1. If you hear any break-up while streaming music from your device, move closer to your Soundbar.
2. BT signal has a range of up to 30 feet if there are no solid obstructions between your Soundbar and source device.
3. Other wireless devices may interfere with BT range, including wireless video monitors, cordless phones, wireless cameras, etc., moving or turning off these devices may improve BT range.



- Reduce the volume on your device or Soundbar, high volume can damage your hearing.

## 08 Know Your Remote

Power the remote by inserting 2 pcs of AAA batteries



<b>1</b>	Turns the Soundbar on and off.
<b>2</b>	Press the button to mute and unmute.
<b>3</b>	Press the buttons to adjust volume.
<b>4</b>	Press the button to pause and play a music. (Bluetooth and USB Mode)
<b>5</b>	Press the buttons to select previous or next music file. (Bluetooth and USB Mode)
<b>6</b>	Select Optical function buttons
<b>7</b>	Select bluetooth function buttons
<b>8</b>	Select USB function buttons
<b>9</b>	Select AUX function buttons
<b>10</b>	BT Reset (Press and hold 3 seconds under BT working mode).
<b>11</b>	Press the button to select a desired music mode: FLAT, ROCK, JAZZ, POP, VOICE.

# Troubleshooting

No Sound	<ol style="list-style-type: none"><li>1: Please check if the soundbar is consistent with the input mode of sound source by following the manual</li><li>2: Press the "Volume+" button on the remote or soundbar to volume up</li><li>3: Please check the output devices if the output of sound source is working</li></ol>	Please make sure all the soundbar ports are input ports and all the connected devices are audio output.
No Sound when TV is connected with optical	<ol style="list-style-type: none"><li>1: Set up the optical output</li><li>2: Set up the audio output format--PCM</li><li>3: Adjust to optical mode, and the Led indicates white lightning</li><li>4: Please check if the optical is connected with TV effectively</li><li>5: Volume up the soundbar</li></ol>	Please take out the transparent antidust caps on two sides of optical. One side of optical indicates the white lightning when TV is connected well, and then plug the other side of optical into the optical port of soundbar.
Devices can't connect with BT	<ol style="list-style-type: none"><li>1: Adjust to BT mode, and the Led indicates blue lightning</li><li>2: Reboot the cellphone or BT devices, search again</li><li>3: Please make sure the soundbar is disconnected with other BT devices, shut off and try again.</li><li>4: Please check if there is strong interfering signal around, such as: WIFI, 2.4G; Try to use in other space.</li><li>5: Please try to use other BT devices to test if the BT device has problem of its own.</li><li>6: Please long press the PAIR button on the remote to reset BT to try.</li></ol>	The BT is only connected with one device, other devices can't search it when it has connected.
BT connection is unstable	<ol style="list-style-type: none"><li>1: Please check if there is strong interfering signal around, such as: WIFI, 2.4G; Try to use in other space.</li><li>2: Reboot the cellphone or BT devices, then reconnect</li><li>3: Please make sure there is no obstacle between the soundbar and BT device in case of blocking the signal.</li><li>4: Power off the soundbar and then reboot.</li></ol>	Please make sure there is no signal interference around the product.

<p>The remote is not working</p>	<ol style="list-style-type: none"> <li>1: Please check if the positive and negative of battery is right. (There is noted on the battery's compartment)</li> <li>2: Please check if the receiving location is blocked under the LED on soundbar.</li> <li>3: The working distance of remote is 6-8m (empty place)</li> </ol>	<p>Please make sure all the soundbar ports are input ports and all the connected devices are audio output.</p>
<p>The sound is low or bad</p>	<ol style="list-style-type: none"> <li>1: Please make sure if the volume of output device is high.</li> <li>2: Please try to play with other devices to test if the working device has problem of its own.</li> <li>3: The product is designed for home, it would be much better if the space is moderate.</li> </ol>	<p>The location of sound bar can affect your experience in some extent.</p>
<p>The sound is inconsistent with the sound of TV</p>	<p>Please set up and shut off the sound of TV</p>	<p>Check the TV's manual.</p>
<p>Cracking sound or popping sound when play video from Amazon Prime Video, Youtube, HBO, Netflix or other streaming video APPs</p>	<p>This soundbar don't support Dolby and DTS, please disable the Dolly and DTS, if you do not know how to set, please contact the APP support</p>	



## 09 Important Notes About Service

Figures and illustrations in this User Manual are provided for reference only and may differ from actual product appearance.

## 10 Specifications

Sound Bar:	2 Full-band speakers
Inputs:	One 3.5mm, One USB , BT (Wireless), One Optical
Frequency Response (System):	50 Hz to 16 KHz
Compliances:	FCC
Place of Origin:	China

# Thanks for reading!

For more information, please follow us:

Web: [www.wohomeshop.com](http://www.wohomeshop.com)  
Email: [support@wohomeshop.com](mailto:support@wohomeshop.com)  
Facebook: <https://www.facebook.com/wohomeshop.support>  
Twitter: <https://twitter.com/wohomeshop>  
Instagram: <https://www.instagram.com/wohomeshop/>

NOTE: One year warranty, 45 days money back guarantee, lifetime technical support, 100% satisfaction service, please feel free to contact us for any questions.