

S PRO Electric Tab-Tension Floor Screen



**Do not touch
the screen material**





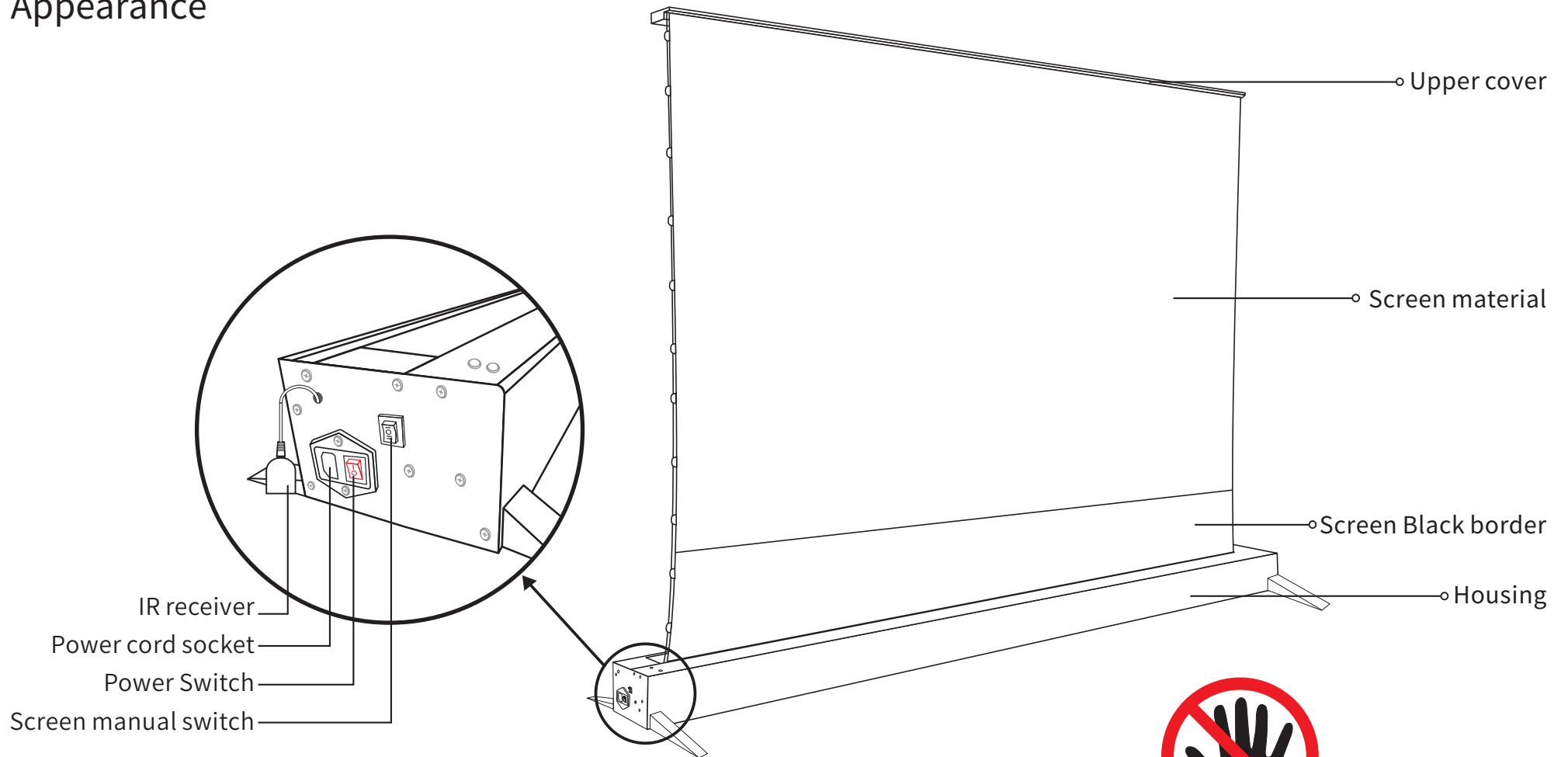
For Your Dream Picture

Content

The Introduction of Product -----	2	Screen Running -----	16
Appearance -----	2	Manual Switch -----	17
Accessories List -----	3	Remote control-----	18
Product Usage Scenarios -----	4	Screen high limit setting -----	21
Important safety precautions -----	5	Black border down-----	21
Matters Needing Attention -----	6	(Lower the fixed height of the screen)	
Precautions for Use -----	8	Black border up-----	23
Matters Concerning Projection -----	9	(Ralse the fixed height of the screen)	
Projected Area -----	9	Screen maintenance -----	25
Screen and projector compatibility--	10	Manufacturer's warranty -----	26
About Screen Performance -----	11	Certificate -----	27
Installation Warning -----	14	Product Warranty Card -----	27
Before pre installation -----	14		
Hardware Parts List-----	14		
Ground Installation -----	15		

The Introduction of Product

Appearance

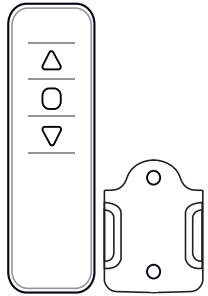


Schematic diagram of left end cover

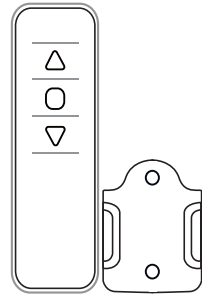


**Do not touch
the screen material**

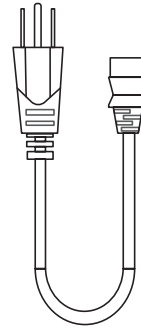
Accessories list



IR
remote control



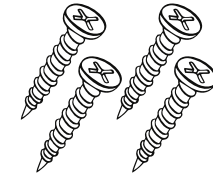
RF
remote control



Power cord

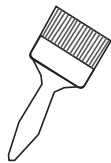


Adjust Rod
(Hard and soft)

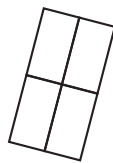


Small Bracket Screw
x4 pcs

Gifts



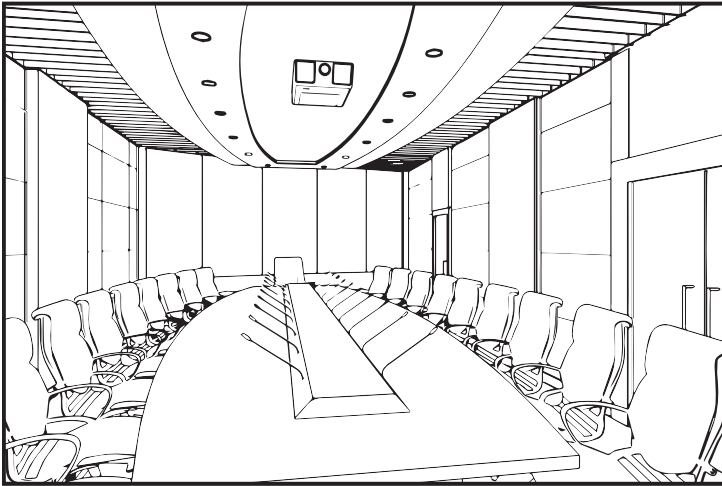
Special cleaning brush
for screen material



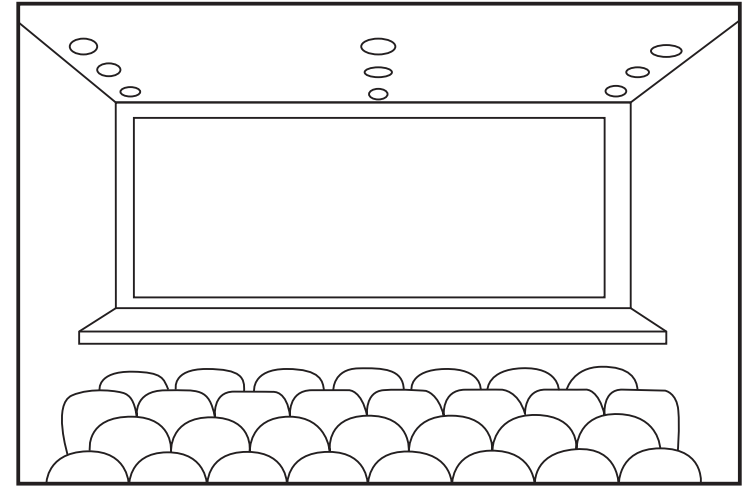
Cleaning stickers

The two parts on the left are
free gifts, so they are not covered
by the warranty.

Product Usage Scenarios



Conference office



Cinema hall

***This equipment is not suitable for use in locations where children are likely to be present.**

Important Safety Precautions

Please read all the contents of the user guide carefully and follow the operation steps below.

For reference when necessary, please keep this user guide.

1. In order to avoid damage to the equipment, please prohibit the use of any accessories not authorized by the manufacturer.
2. Be sure to handle the products carefully during transportation, so as to prevent product damage caused by collision.
3. In order to ensure the personal safety of the user and realize the reliable operation of the equipment, please make sure to use the power cord provided by the equipment to connect the power supply for charging.
4. Please place the device close to the power socket to connect the power supply for charging.
5. You need to place the product properly. Please do not place any heavy objects on the power cord and screen to avoid danger or operation obstacles.
6. In order to avoid electric shock, short circuit or fire caused by loose plug, please use the power cord correctly.
7. Since this product is equipped with a V-spring support system with strong tension, removing the screen without permission will bring certain risks. Please do not disassemble the screen by yourself. In case of machine failure caused by your improper operation, the seller and the manufacturer have the right not to be responsible for replace the product. In case of personal injury, no liability shall be assumed.
8. The tubular motor equipped on the electric screen has a temperature control sensor with an overheating protection mechanism. The motor is scheduled to work for a short time, the longest continuous work does not exceed 1.5min, and the rest time is at least 30min, In order to prevent the motor from being damaged due to overheating. If the motor stops working because of this, please turn off the power and wait for the motor to cool for 30 minutes to 2 hours. Can continue to run.
9. The remote control supplied with this product contains a coin / button cell battery. If the coin / button cell battery is swallowed, it can cause severe internal burns in just 2 hours and can lead to death. Keep new and used batteries away from children. If the battery compartment does not close securely, stop using the product and keep it away from children. If you think batteries might have been swallowed or placed inside any part of the body, seek immediate medical attention.

Matters Needing Attention



Warning! If you do not strictly follow the prescribed precautions during use, this may lead to equipment damage and other unnecessary damage.



Please observe the family fire safety regulations; do not place the equipment near the fireplace or high temperature objects such as gas stove, barbecue or heater to avoid equipment damage.



Please keep this product out of the reach of children.



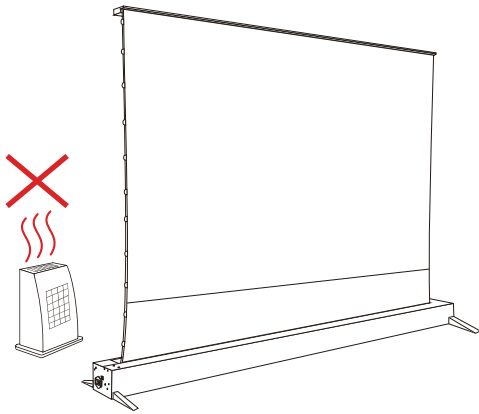
Please do not put any sundries inside of the cover to avoid damage to the equipment. The seller and the manufacturer are not responsible for any damage to the equipment caused thereby. Before the screen turns off, please make sure there is no debris in the cover.



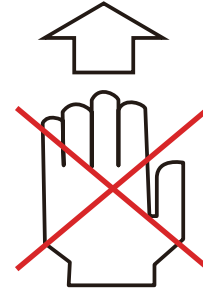
Moving parts! Keep body parts away from moving parts.



Do not put your body parts close to or near the stand during the screen is rising and going down to avoid injury.



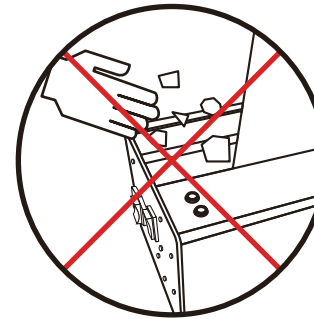
Please observe the family fire safety regulations; do not place the equipment near the fireplace or high temperature objects such as gas stove, barbecue or heater to avoid equipment damage.



Do not put your hands into the cover of the product



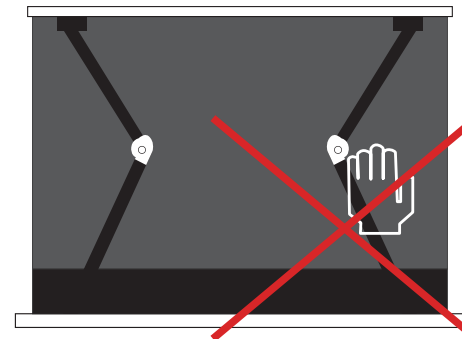
Please keep this product out of the reach of children.



Please do not put any sundries inside of the cover to avoid damage to the equipment. The seller and the manufacturer are not responsible for any damage to the equipment caused thereby. Before the screen turns off, please make sure there is no debris in the cover.



Moving parts! Keep body parts away from moving parts.



Do not put your body parts close to or near the stand during the screen is rising and going down to avoid injury.

Precautions for Use

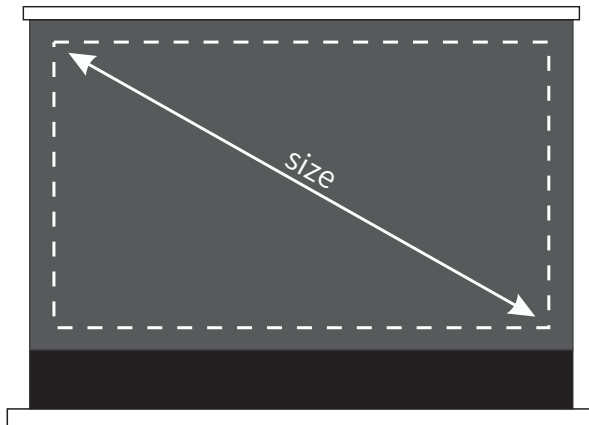
No one is allowed to open the inside of the equipment and repair the product without authorization, except for the authorized technicians.

1. Please make sure that the power supply connected to this product has stable current.
2. If you need to use the extension cord for this product, please make sure that the power cord rating of the extension cord is the same as that of this product, so as to avoid equipment damage due to overheating.
3. When your hands and feet are in contact with water, do not operate the power plug in this case.
4. When you encounter heavy rain, wind, thunder or lightning in the process of using this product, please be sure to disconnect the power line.
5. The curtain of this product should not be placed in direct sunlight, rain and humid environment.
6. In order to prevent the product from overheating, keep away from fire source and high temperature equipment when using this product. At the same time, the power supply of this product should be cut off before transportation or maintenance.
7. Like any other household appliances, when this product is not used for a long time, please completely disconnect the power supply to ensure safety.
8. If there is any obvious damage to any parts of the product, in order to avoid any injury and electric shock, please do not continue to use.
9. When installing in the residential and commercial buildings, users should provide reasonable protection for the products to prevent the radiated RF energy from interfering with the operation of the products. However, there is no guarantee that the product will not be disturbed in special installation.

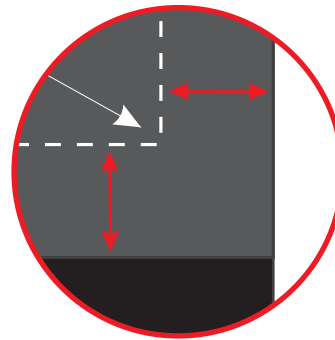
Matters Concerning Projection

Projected Area

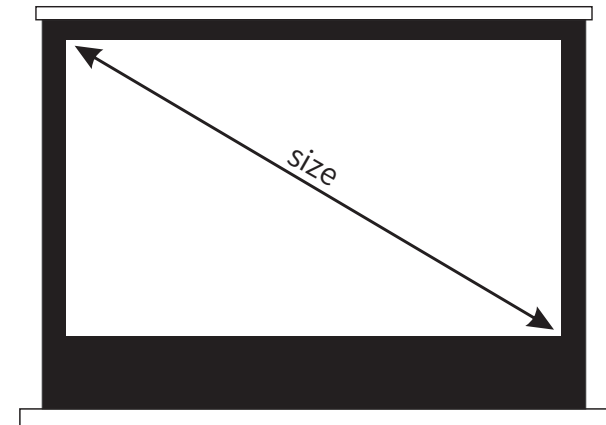
1. Please project according to the actual projection size of the screen purchased when using the projector.
2. Since the position of black border has been preset on the screen of this product, please do not exceed the specified projected area during projection. You should note that the default black border is not the projection area.



Brand-new product design:
Screen without black border, black
border size has been preset



Black border has been preset

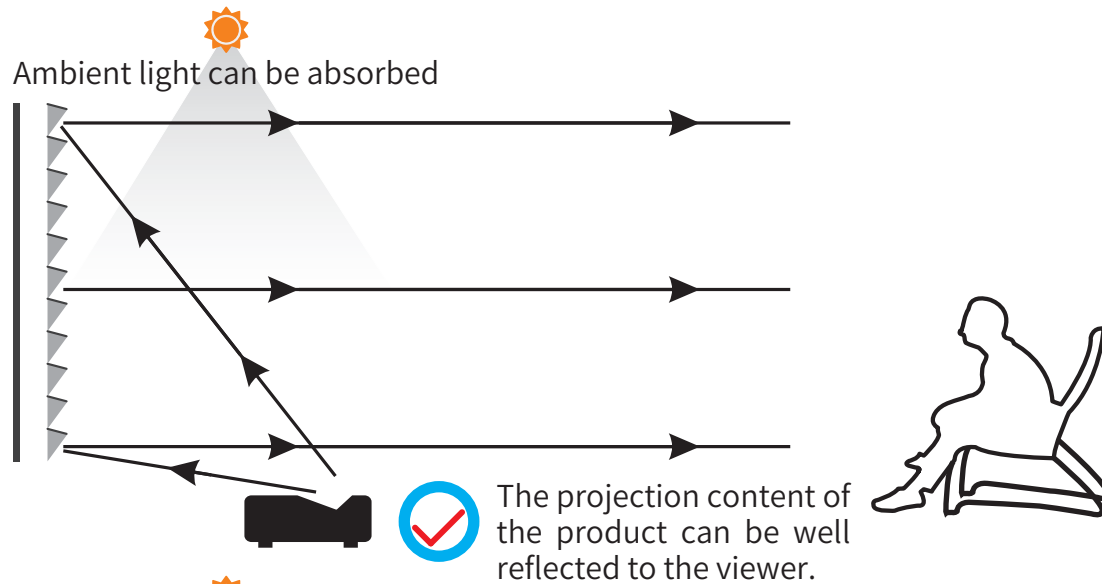


Classic product design:
Screen with black border

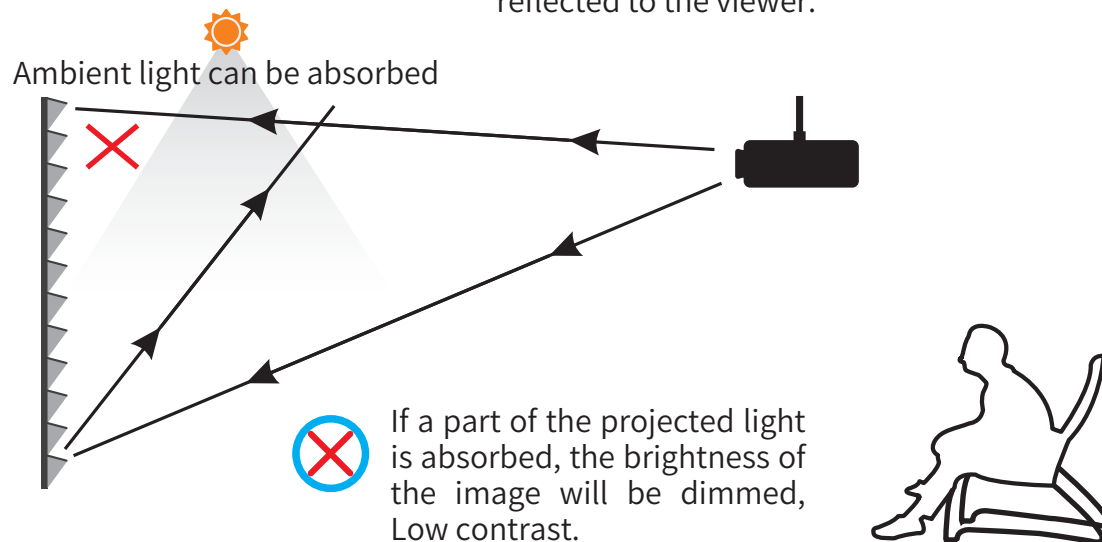


Screen and projector compatibility

Please note that the screen of this product is only suitable for use with Ultra short throw laser projector. If it is used with other projector , the effect of picture will be greatly reduced.



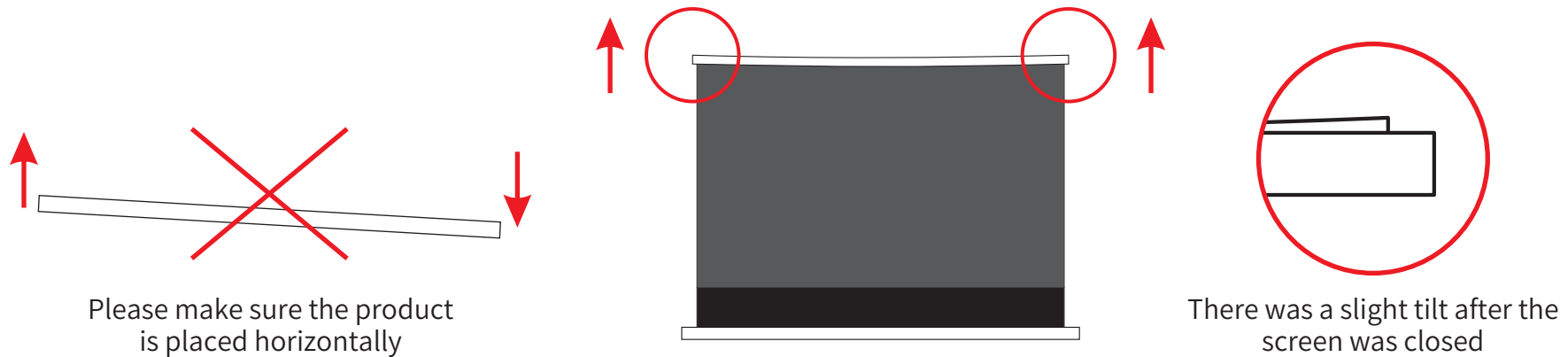
It is suggested that the ultra short focus laser projector throw ratio should be ≤ 0.4 . (please consult the projection manufacturer for specific parameters)



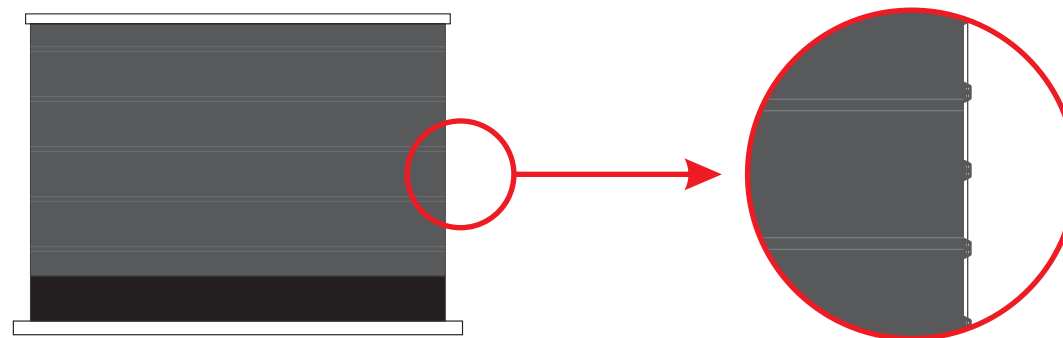
In view of the particularity of the screen structure of the product, projectors other than ultra short focus laser projectors are not compatible with this Screen fabric. If other projectors are used, the projection light may be absorbed or blocked by the Screen fabric.

About Screen Performance

1. Please note that when placing this product, please make sure that the product is always in a horizontal state. Do not place the screen in an inclined or vertical position.
2. After using for a period of time, if the cover on both ends of the screen is slightly tilted, there is no need to worry. This is a normal phenomenon and does not affect the viewing and use. In addition, due to the cover warping, there is a gap between the screen and the housing case after closing, which is also a normal phenomenon.



3. If there are regular creases on the screen surface after the screen is opened, don't worry. This is a normal phenomenon. It is caused by the screen being curled and tightened for a long time, which does not affect the user's viewing. After opening the screen for a period of time, you will notice that the stripes on the screen will gradually disappear.



4. When there are a few black spots, white spots, stains and other impurities on the screen surface, but if they are qualified according to the detection method, then such situation is not a product quality problem, and it is within the scope of product qualification.

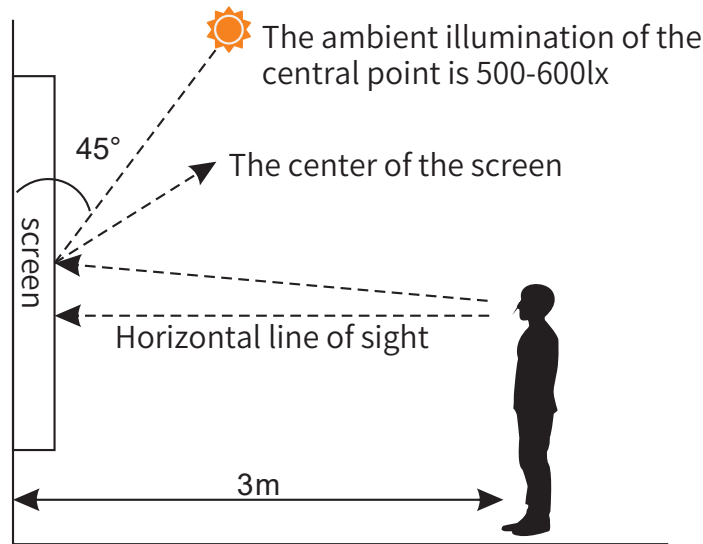


Figure 1 side view

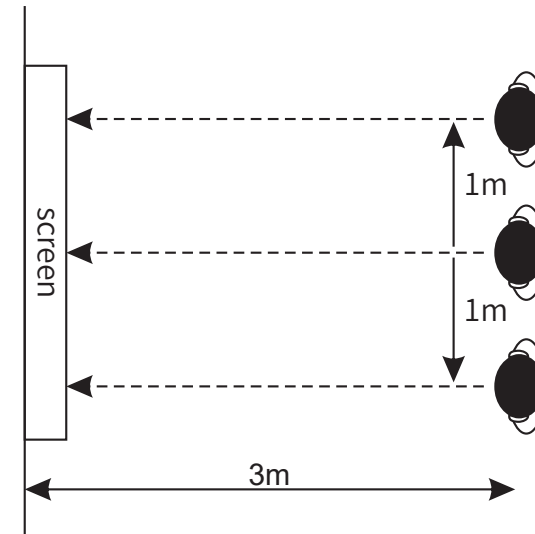
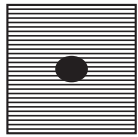


Figure 2 top view

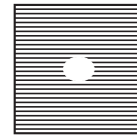
The detection method is as follows:

- (1). Please raise the screen of this product and close to the wall, and the observer can observe the film at a distance of 3 meters away from the screen;
- (2). The observer needs to observe the shadow in the normal light environment (illumination 500-600lx);
- (3). The distance between the observer and the front of the screen should be kept at a distance of 3 meters, and the center point of the screen should be close to or higher than the horizontal line of sight (as shown in Figure 1), and the observation should be made at the center point, 1 m to the left and 1 m to the right (as shown in Fig. 2).

As long as the test results of the product are within the allowable range, the product is qualified.



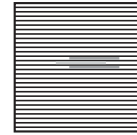
For the black spot defect which can be measured in appearance, if it can not be found by visual inspection, the product is normal.



For the appearance of specific measurable white spot defects, if visual inspection can not be found, then the product is normal.



If the visible dirt is within the allowable range of defects, the product is normal.



For the faint linear printing trace, if within the allowable range of defects, the product is normal.



For the inks caused by uneven printing traces, if within the allowable range of defects, the product is normal.

(1). The white screen is listed as the quality standard because it is not only the reflection surface of the projector image (the black surface is observed from the upper and lower direction, and the white surface is observed from the bottom direction), but also the main function surface of the viewing image, so the white screen is listed as the quality standard. It should be noted that if the white screen surface does not exceed the quality specification, it will be regarded as meeting the factory qualification standard.

(2). Different from the white screen, the black screen is used as a functional surface to absorb indoor ambient light. In view of the fact that there is no direct correlation between the black screen surface and the image viewing quality, its quality specifications are quite different from that of the white surface. It should be noted that the slight black marks on the black screen surface are inevitable appearance phenomena in the production process of industrial products, which meet the factory qualification standard.

Conclusion: it should be noted that the slight black marks and white spots on the black screen surface of the anti light projection screen products are normal product appearance phenomena, which will never affect the image viewing quality. Please use it at ease.

Installation Warning

Since the installation environment of each user is different, the instructions in this user guide are only for reference. If you need further installation and safety suggestions, please consult the professional installation company. It should be noted that no matter what kind of installation method you take, the product should not be loosened or dropped due to vibration or tension, so as to keep the product stable. The installation personnel of the product must ensure that the bracket accessories used have sufficient strength to support the product and select the appropriate installation position.

Before pre installation

1. When you open the package, please carefully open the screen package to avoid the product from rubbing or falling.
2. Please always place the screen in a horizontal position. Do not install the product on an uneven or inclined surface.
3. Please keep the screen away from dust, sawdust and liquid to protect the screen from contamination.

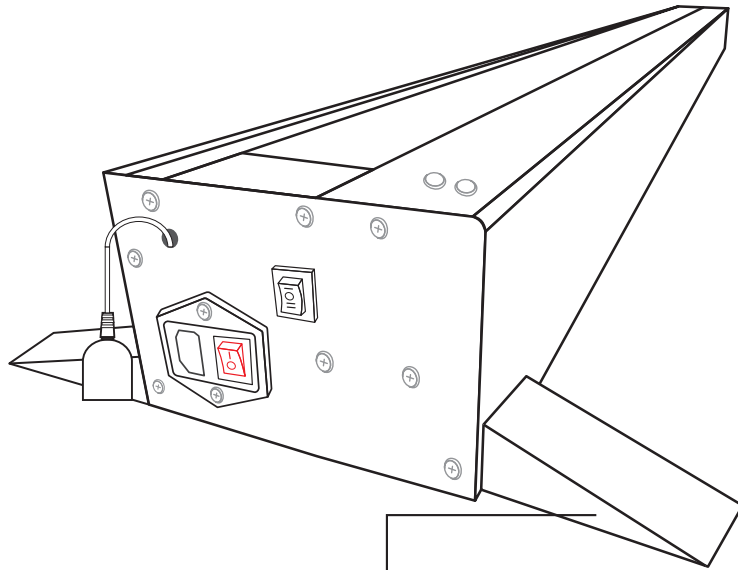
Hardware Parts List

Before you install the product, make sure that all parts of the product are included. Please note that the wall screws supplied with this product may not be suitable for all mounting surfaces. Please consult the professional installation personnel or hardware store to get the correct installation screws and anchors.

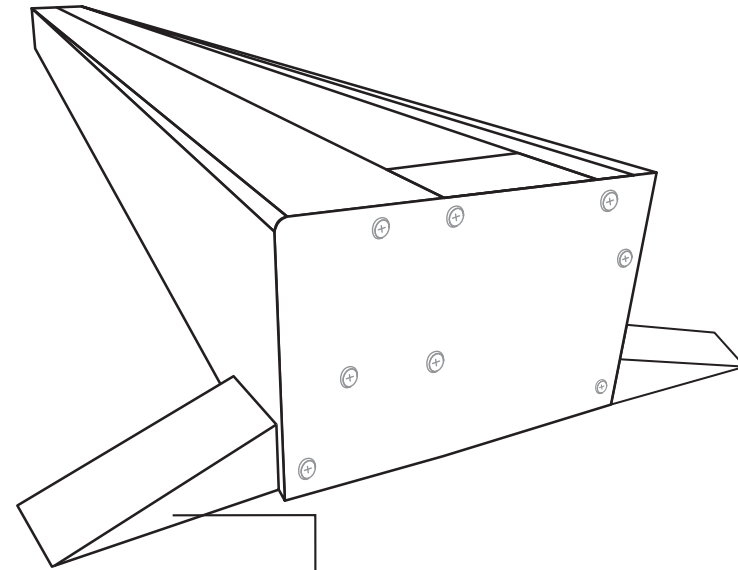
Ground Installation

Safety tips: it is recommended that two people lift the product and place it horizontally.

1. When using this product, you can place the product on the horizontal ground and fix it. Before placing the product, please pay attention to cleaning the ground debris to keep the floor dry.
2. When using and rotate the four bottom supports, rotate the four bottom supports, one of which can be selected to fix the bracket according to the actual situation. It is recommended to use screws to fix the product on the ground.



Bottom fixed base



Bottom fixed base

Screen Running

Voltage information: make sure your screen is working at the **correct voltage**, depending on the area.

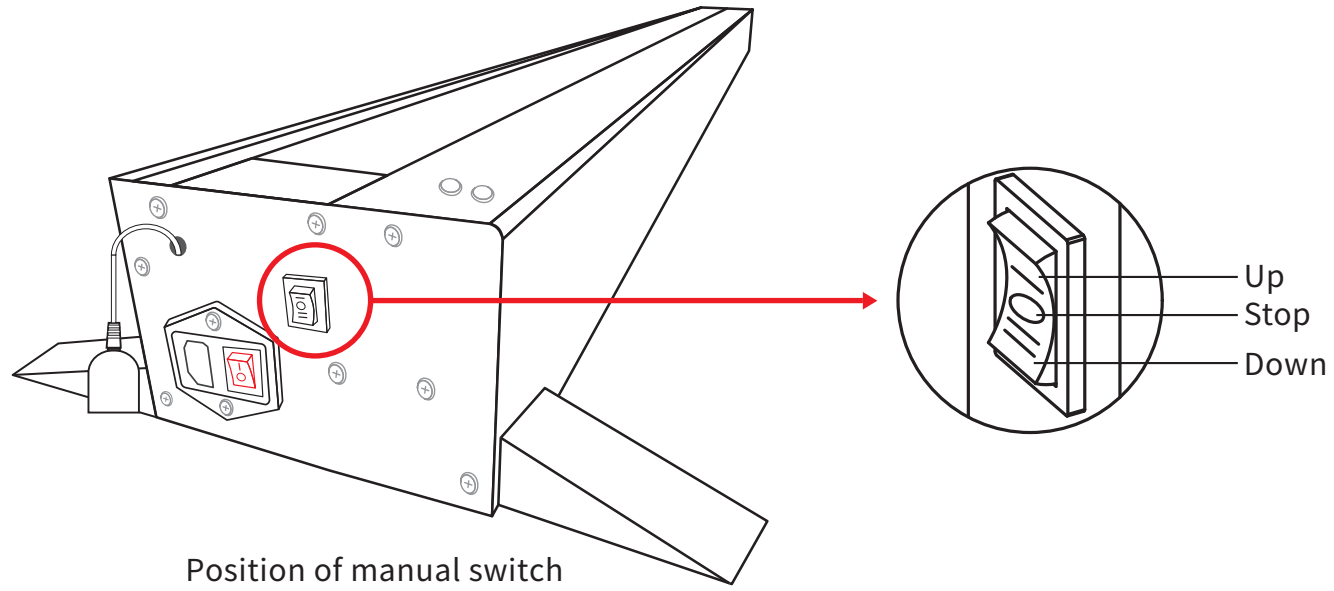
(Using the wrong voltage may cause the screen to become inoperable)

- (1) Plug the screen power cord into the correct power outlet.
- (2) When the product power is turned on, a "beep" sound will be emitted for 1.5 seconds, indicating that the product has been powered on.
- (3) When the screen is fully raised, you can choose to turn off the power switch and unplug the power cord due to long-term viewing. At this time, the screen will remain open and will not be closed due to power off. To turn off the screen, connect the power cord and turn on the switch to resume operation.
- (4) When the left power switch is powered on, you can use any of the methods described below to run the screen.

Note: when the screen is raised, make sure there is no obstacle and enough space on the top of the screen, and do not put your head on the top of the screen to avoid personal injury and product failure.

1. Manual Switch

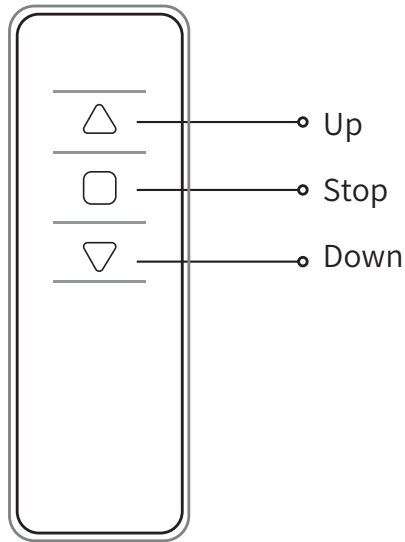
The left side of the screen shell is equipped with a manual switch which can control the screen "up / stop /down".



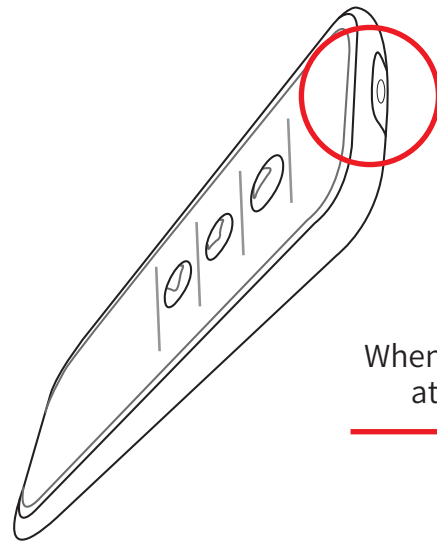
2.Remote control—RF remote control / IR remote control

(1) Wireless RF remote control: when the screen is hidden and installed in the slot or requires remote control, wireless remote control can be used. It can control the screen without aiming at the IR receiver.

(2) IR remote control needs to be connected with the IR receiver. When using IR remote control, make sure that the power switch is turned on and aligned with the IR receiver head, so that the IR remote control can operate normally. (Unlike the wireless remote control, the back of the infrared remote control is black, and there is an infrared signal lamp on the top)

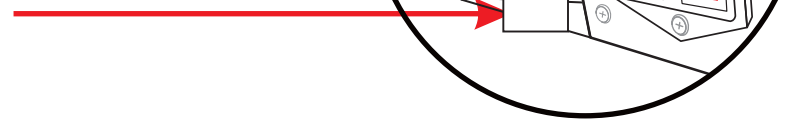


Front of remote control



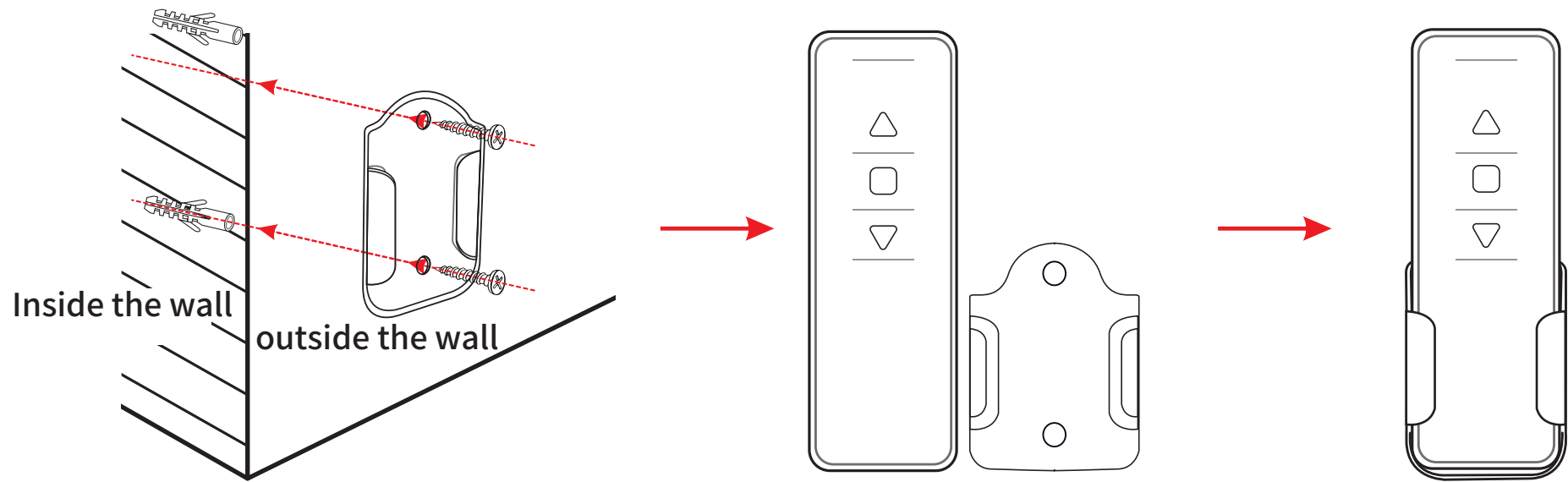
Perspective view of infrared remote control

When using, please aim at the IR receiver

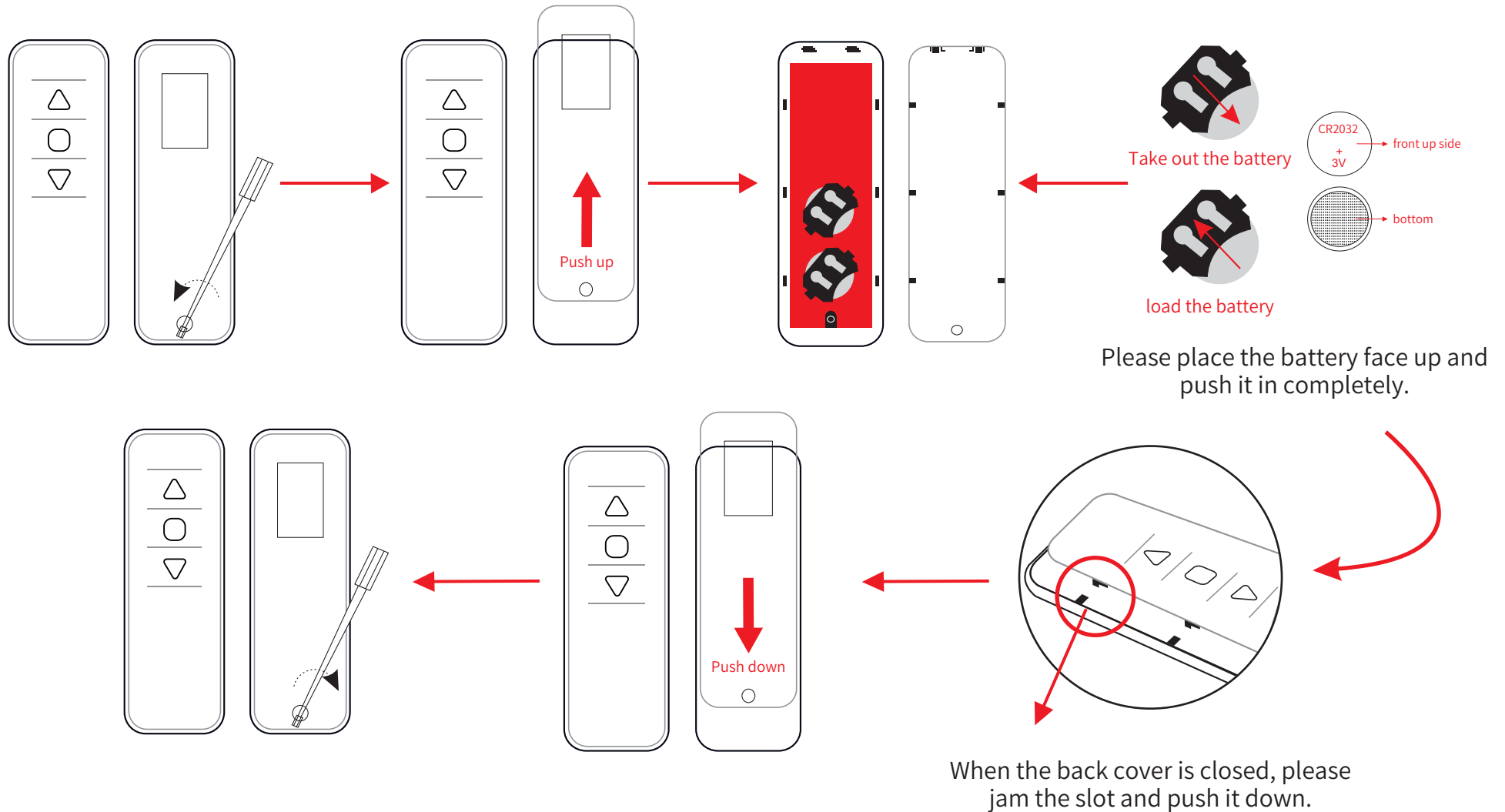


IR receiver

For convenient access, the remote controller can be fixed on the wall surface and other planes through the bracket.(wall screw or double-sided adhesive tape can be used for fixation)



When the battery of the remote control needs to be replaced, as shown in the figure below, unscrew the cover of the remote control with a small screw, then replace the new button battery, close the cover of the remote control, and tighten the screw to prevent the loose battery from falling off;



Screen hight limit setting

Black border down

(The highest position of the screen has been set when leaving the factory, no higher height can be adjusted)

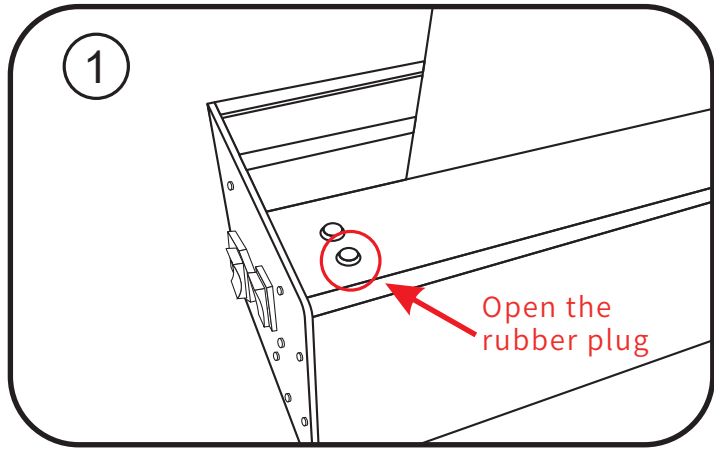
If the screen is too high, follow the steps below to fix the screen to the desired position.

1. Please make sure the product is powered on.
2. As shown in the figure, open the small rubber cover on the lower left of the cover.
3. Insert the debugging rod into the Yellow adjusting hole in the housing, and then slowly rotate it clockwise for several turns (rotate one circle and adjust the screen height about 2cm). After each rotation, press the "down" switch, and then press the "up" switch. At this time, the screen will first rise and then drop, and finally stop at a position lower than the factory setting. Please check whether the height is appropriate.

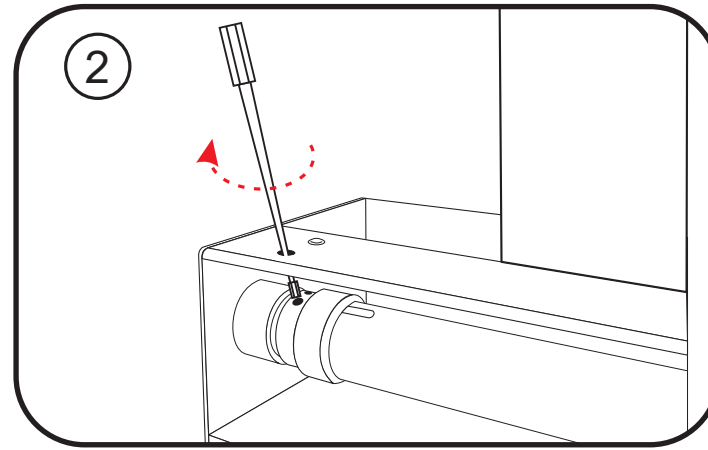
If you can't find the hole location, You can find the hole position with the light source standing behind the screen.

If the height is still very high, please repeat the above operation to adjust to the appropriate position.

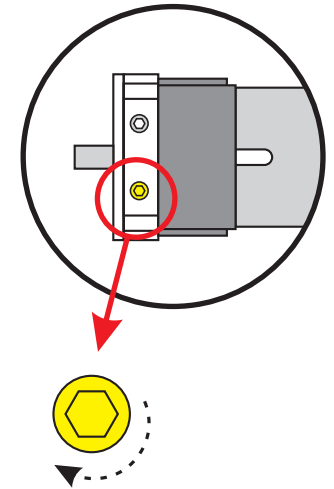
(Please refer to the legend on the right)



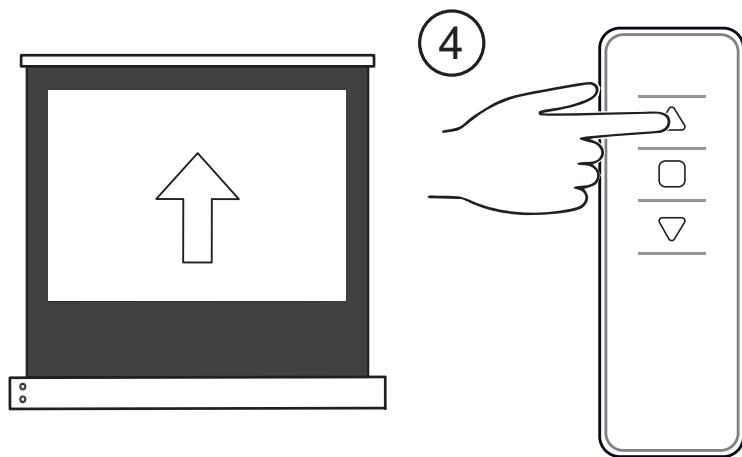
Open the rubber plug under Yellow hole position the left side of the cover



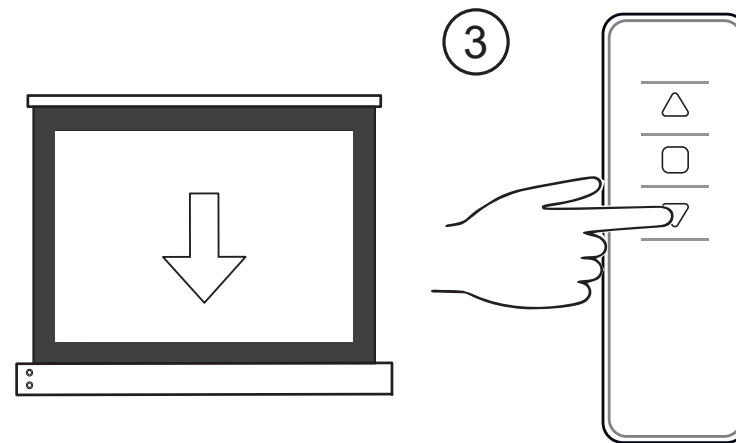
Insert the adjusting rod into the Yellow hole in the housing and rotate clockwise (rotate one circle and adjust the screen height about 2cm)



Yellow hole position



Then press the "up" switch to raise the screen to the appropriate position, Finally, the screen stops a little lower than the factory setting



First press the "down" key to lower the screen

Black border upp (Only applicable after the black border is adjusted too low)

If the height adjustment of the black border of the screen is too low, please follow the following steps:

(please note: it is not allowed to carry out this step directly without adjusting too low)

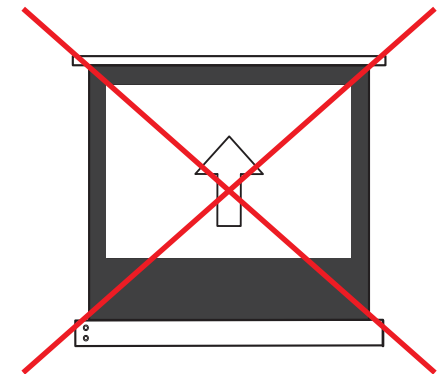
- (1) Please press the "up" button on the remote control, and the screen will rise to the highest point.
- (2) Insert the debugging rod into the adjusting hole on the lower left side of the housing, and then rotate it several times in a counter clockwise direction(rotate one circle and adjust the screen height about 2cm). Then press the "up" key, the screen will rise to the adjusted height, that is, stop operation. Please pay attention to control the height, do not exceed the original highest point, do not rotate too much, otherwise the screen will reverse and cause screen damage.(Please refer to the legend on the right)

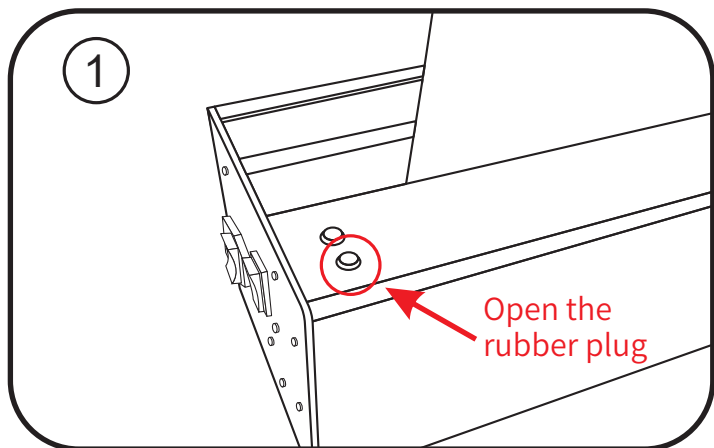
If the adjustment is too high, please repeat the previous steps to adjust to the appropriate position.

Notice:

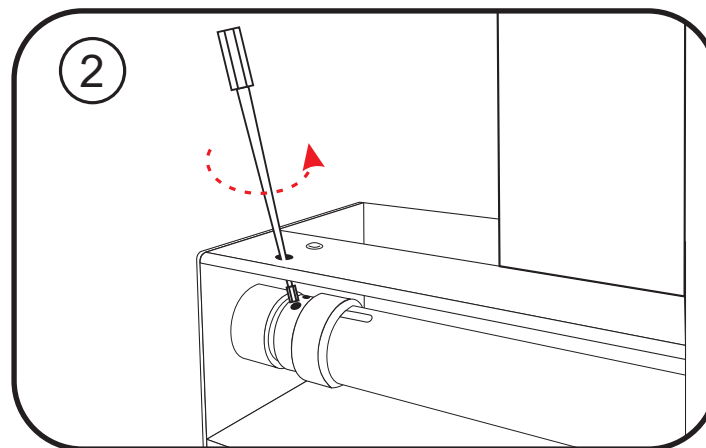
The highest position of the screen has been set at the factory, no higher height can be adjusted.

Do not adjust too low or too high at one time. We suggest that you adjust the screen a little bit.

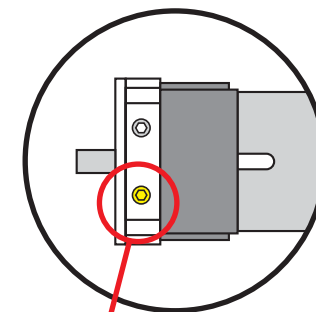




Open the rubber plug under the left side of the cover

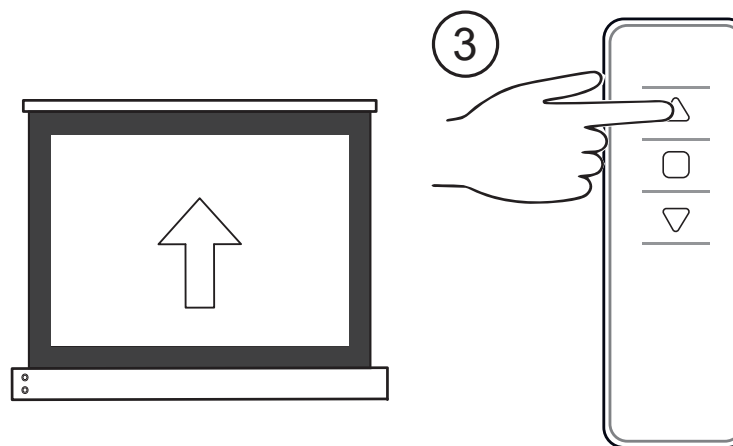


Insert the adjusting rod into the Yellow hole in the housing and Counter clockwise rotation (rotate one circle and adjust the screen height about 2cm)



Yellow hole position

Only applicable after the black border is adjusted too low!



Then press the "up" key, the screen will rise to the adjusted height, that is, stop operation.

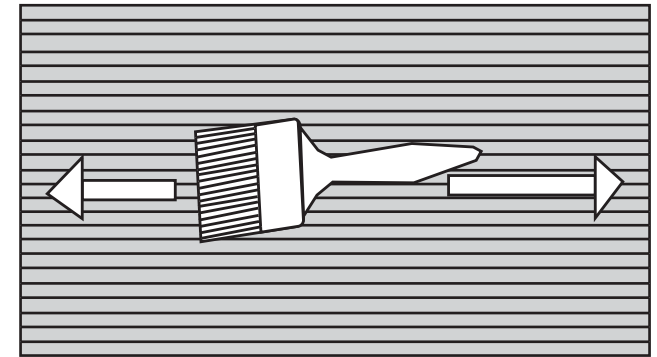
Screen maintenance

Cleaning requirements:

1. In general, please use a soft brush to clean the screen surface. Remember to use a special soft brush and gently brush away the impurities along the screen grain direction.
2. Do not use any cloth (coarse cloth, soft cloth, gauze, wet cloth) to wipe the screen surface
3. Rough towel or cloth may damage the screen surface and affect the viewing effect.
4. There is a horizontal structure on the screen surface, so please brush away the impurities along the left and right direction of the grain when cleaning the screen; do not wipe it up and down or round the screen.
5. The backside surface of the curtain can be wiped with cloth, but it should be ensured that the screen is dry before closing the screen, because the surface of the curtain is not waterproof.

Warning!

- Do not scribble on the screen.
- Do not touch the screen directly by hand.
- Do not touch the screen with hard or sharp objects.
- Do not clean the screen persistently or vigorously, so as to avoid screen scratch.
- Be sure to turn off the screen when you are not using the product.
- This product is not waterproof, only suitable for indoor use, not recommended for outdoor use.
- Avoid sharp objects directly contacting the screen surface, so as to avoid puncturing or scratching the screen surface.
- Do not use acetone, benzene, alcohol and other organic solvents to clean the screen, which will cause permanent damage to the screen.
- To avoid possible injury, do not attempt to remove the screen. If there are obvious damaged parts, please contact your authorized dealer.



Manufacturer's warranty

1.VIVIDSTORM products have a 2-year warranty. During the warranty period, in case of any problems caused by the product itself or the product defects caused by the design, Please contact the after-sales service to inform the situation.During the warranty period, if the product fails to work normally due to user negligence (not product material or design defects, etc.),not After the warranty period expires, all repairs or replacements are charges the fee, and users will get a quote for the repair fee. Only after the user agrees and accepts the maintenance cost can the maintenance service be started. eligible for a warranty, for serious damage to the product should charge that fee according to the product damage.

2.Within one week after the user receives the product, if there are obvious serious defects in the product, the user shall provide video or photo proof, and provide the corresponding certificate and warranty card to our after-sales service personnel. After confirmation, the user can return the product and reship a new product. The user needs to ensure that the returned product is in good condition kept in their original status., free from any physical damage and that the packaging is complete. We will handle the returned or exchanged products within 7 days (excluding public holidays).

3.The motors in all products sold by our company enjoy a five-year warranty. It is necessary to ensure that the motor is complete and has not been tampered with.

4.The company provides corresponding after-sales technical support services for the products sold, and guarantees customer serviceresponse within 24 hours. (except holidays)

5.Within one week after the customer receives the product, due to the special packaging size of the product, it is recommended to save the carton in order to solve the packaging problem of return and replacement.

6.It should be noted that the product damage caused by the following factors not caused by the company, the damage caused by other human factors and natural disasters are not included in the warranty scope of the company:

The product is damaged due to incorrect installation of the product;

(1) Product voltage mismatch;

(2) The user does not operate according to the product manual, resulting in improper use and product damage;

(3) Repair or modify the product without authorization of the company;

(4) Failure to provide proper working environment;

(5) Product damage caused by user's secondary transportation;

(6) This product is damaged in natural disasters and accidents. Natural disasters and accidents include flood, fire and human factors. The above guarantee has the same legal effect for each user. Due to the change of country or region, other rights may only apply to specific customers.

Certificate

Product Name: _____

Product Model No: _____

Factory serial No: _____

Inspector: _____

Date of production: _____

The product has been tested and inspected after operation, and all the tests and inspections have been in accordance with the technical requirements, and its quality meets the specified requirements. Only after passing the inspection can they be allowed to leave the factory.

Product Warranty Card

User information

Customer retention sheet

Customer Name: _____

Customer telephone: _____

Postcode: _____

Customer's address: _____

E-Mail: _____

Purchasing channels: _____

Purchase date: _____

Date of production: _____

Invoice number: _____

Warranty content: _____

Customer signature: _____

After sale: _____

Date: _____

Satisfied or not Satisfied

Office website of the company: <http://www.vividstormscreens.com>

Consultation email: vividstormscreen@gmail.com

Contact phone number: 0752-3096010

FCC Statement

This device complies with part 15 of the FCC rules. Operation is subject to the following two conditions: (1) this device may not cause harmful interference, and (2) this device must accept any interference received, including interference that may cause undesired operation.

Changes or modifications not expressly approved by the party responsible for compliance could void the user's authority to operate the equipment.

NOTE: This equipment has been tested and found to comply with the limits for a Class B digital device, pursuant to part 15 of the FCC Rules. These limits are designed to provide reasonable protection against harmful interference in a residential installation. This equipment generates uses and can radiate radio frequency energy and, if not installed and used in accordance with the instructions, may cause harmful interference to radio communications. However, there is no guarantee that interference will not occur in a particular installation. If this equipment does cause harmful interference to radio or television reception, which can be determined by turning the equipment off and on, the user is encouraged to try to correct the interference by one or more of the following measures:

- Reorient or relocate the receiving antenna.
- Increase the separation between the equipment and receiver.
- Connect the equipment into an outlet on a circuit different from that to which the receiver is connected.
- Consult the dealer or an experienced radio/TV technician for help.

The device has been evaluated to meet general RF exposure requirement. The device can be used in portable exposure condition without restriction.