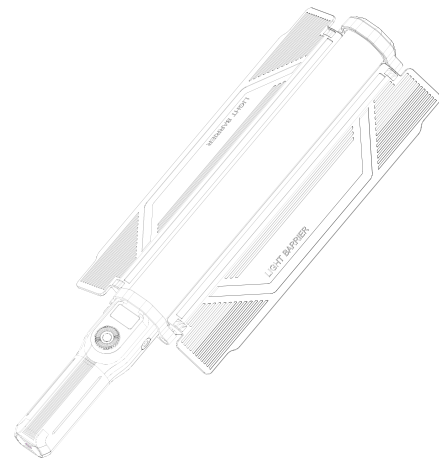


VILTROX

Operating Instruction

# H18

## RGB LED Light Stick



Thanks for choosing VILTROX fill light!  
Please read the operating instruction carefully so that you can know about and use all functions of the fill light.

Shenzhen Jueying Technology Co., Ltd. Executive standard: QJYKJ002-2019  
Tel: +86-755-2877 9024 Fax: 0755-2877 4730  
Email: info@viltrox.com Website: www.viltrox.com  
Address: 1207, Floor 12, Block B, Chinto Science&Technology Building, Minzhi Street, Longhua, Shenzhen, Guangdong, China  
Production Address: Floor 3, Building 1, Simaiou Science Park, No. 52-1, Juyuan Road, Qiluchang Town, Huiyang District, Huizhou, Guangdong, China

### Product Functions

H18 is a handheld LED light stick with creative design of two sides. It supports one-key switch. One side is designed with bi-color temperature LED beads and supports the adjustment of color temperature within the range of 2,800K-6,800K. The other side is RGB LED bead and supports a total of 36,000 colors. With 18 W power and 96 beads at front and rear sides respectively, the product features high brightness, high color development restoration and clear shooting effect without noisy point. It is applicable to the supplementary lighting demands in such scenarios as live streaming, camping, selfie, makeup lighting, video shooting, wedding photography, etc.

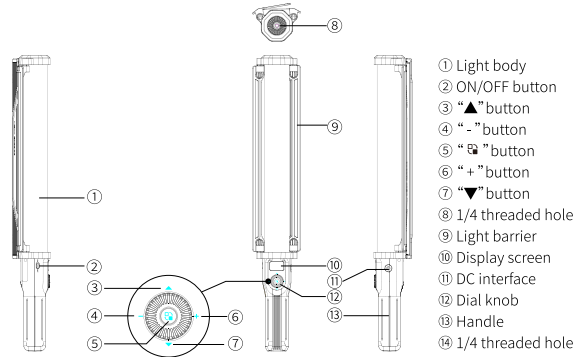
### Features

- One light with two sides; one-key switch between bi-color temperature and RGB full-color mode.
- Bi-color temperature; 2,800K-6,800K adjustable; able to simulate different effects.
- RGB full color mode: HSL/RGB/COL, satisfying various light color requirements.
- Special effect of 26 kinds of FX scenarios: Realize more creative video shooting demands.
- 192 high-quality beads: Even lighting demands and vivid restoration of object color.
- Excellent soft light tube surface, which could realize expected soft light effect without using soft light accessories.
- Removable barn door to control the scope and direction of light.
- Three adjustment modes: Panel control, APP and remote control, intuitive and convenient operation.

### Attentions

1. Do not expose the product to eyes with a short distance.
2. Do not vibrate the product extensively; otherwise, it may become faulty, such as component damage.
3. Do not try to dismantle or repair the product alone; otherwise, it may become faulty.
4. Do not place the product under an environment with high temperature; otherwise, the product may be damaged.
5. Do not use the product near special substances, such as chemicals, combustible gas, etc. Please pay special attention to relevant warning identifications.
6. The product is not waterproof so please pay special attention to water resistance once being used in rainy and humid environment.
7. Do not cover any object that hinders heat dissipation on the product. A too high temperature may shorten service life of the product.
8. If the product is powered by a battery, please shut it down and recharge it in time, once the light is off after battery capacity is used up and "Low Battery" appears on the screen.

### Parts

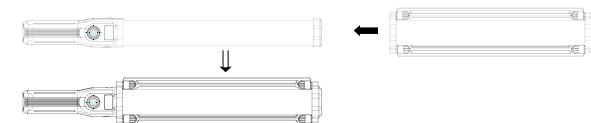


- ① Light body
- ② ON/OFF button
- ③ ▲ button
- ④ - button
- ⑤ \* button
- ⑥ + button
- ⑦ ▼ button
- ⑧ 1/4 threaded hole
- ⑨ Light barrier
- ⑩ Display screen
- ⑪ DC interface
- ⑫ Dial knob
- ⑬ Handle
- ⑭ 1/4 threaded hole

\*⑩ The value of dial knob and <-> buttons can be adjusted. Long press <-> buttons and the parameters will be increased/decreased continuously in a quick manner.

### Mounting and Dismantling of Light Barrier

- Mount light barrier  
Choose the side where light needs shielding and make the barrier point to such side. Align the bulged slot at the top of the light to the bulged slot of light barrier and set it inside the product from upper to lower side and push it inside. Open the light barrier for shooting.



- Dismantle light barrier  
Hold the handle and push it from lower to upper side to dismantle the light barrier.

### Power Supply Mode

The product is designed with two power supply modes: Power adapter and built-in battery.  
1. ON state: <■> icon on display screen means power supply from built-in battery; <■> icon means power supply from power adapter.  
2. OFF state: <■> icon on display screen means charging of power adapter; <■> icon means battery is fully charged. (Note: Shut down the product prior to recharging.)

### Operation Instructions

**Startup**  
Turn on <② ON/OFF button>, and the light will be on, and the display screen will be on and display current information.

**CCT mode**  
Long press <⑤ \* button> under RGB full-color mode to enter CCT mode. <▲ and ▼> buttons are used for choosing the item that needs adjusting while <-> buttons for adjusting the light value.

**HSL mode**  
Long press <⑤ \* button> under CCT mode to enter HSL mode. <▲ and ▼> buttons are used for choosing the item that needs adjusting while <-> buttons for adjusting the light value.

**RGB mode**  
Long press <⑤ \* button> under RGB full-color mode to enter RGB mode. <▲ and ▼> buttons are used for choosing the item that needs adjusting while <-> buttons for adjusting the light value.

### COL mode

Short press <⑤ \* button> under RGB full-color mode to enter COL mode. <▲ and ▼> buttons are used for choosing the item that needs adjusting while <-> buttons for adjusting the light value.

### Scene mode

Short press <⑤ \* button> under RGB full-color mode to enter Scene mode. <▲ and ▼> buttons are used for choosing the item that needs adjusting while <-> buttons for adjusting the light value.

### Bluetooth mode

Long press <③ ▲ button> to enter Bluetooth mode to set channel No. and group No. Short press <▲ and ▼> buttons to choose the item that needs adjusting. Choose <-> buttons to change the value. Long press <③ ▲ button> to exit Bluetooth mode.

### Light Adjustment by APP

1. Apple system: Search "WeeYitePro" in "APP store" and download the APP to mobile phone and install it. You can also scan the QR code for downloading.
2. Android system: Scan the QR code to download the APP.



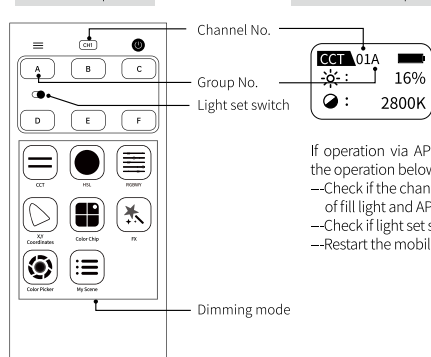
For Apple system  
Scan the QR code for downloading



For Android system  
Scan the QR code for downloading

- Connection mode:
1. Enable the Bluetooth of mobile phone first and then open "WeeYitePro" of APP.
  2. Set the channel No. and group No. of APP in line with those of the product. (If the channel No. and group No. of the product are 1 and A, set the channel and group No. of APP as 1 and A; otherwise, inconsistent parameters will lead to control failure).

### APP interface preview



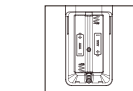
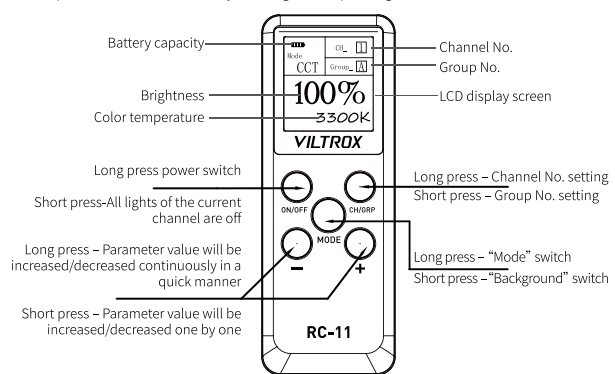
Channel No.  
Group No.  
Light set switch

If operation via APP fails, please execute the operation below:  
--Check if the channel No. and group No. of fill light and APP are consistent.  
--Check if light set switch is off.  
--Restart the mobile phone and fill light.

Dimming mode

### Dimming via Remote Control (User needs to purchase it separately)

The product supports dimming by "RC-11" remote control. Remember to set channel No. and group No. prior to use (make ensure the channel No. and group No. of light and remote control are consistent). Note: Operate the remote control by referring to the operating instruction of remote control.



AAA battery compartment

\*Please take the battery out of remote control that will not be used for a long time in order to prevent the leaked liquid of battery from damaging components.

### Operating Instructions of Remote Control

1. Long press RC-11 "Power switch" for 2 s and RC-11 power supply and display screen will be on.
2. Set the same "channel No." and "group No." by referring to "the controlled photography light". (LED photography light cannot be operated if the "channel No." and "group No." are different). Channel No. setting - Long press CH/GRP for 2 s and choose the channel required by +/- buttons; then press "MODE Button" for confirmation. Group No. setting - Short press "CH/GRP" to choose among A/B/C/D/E/F.
3. Long press "MODE" button to switch among four modes, including CCT/HSL/RGBW/SCENE. ("W" and "Y" values in RGBW mode cannot be used for controlling the product).
4. Press +/- buttons to adjust power/color temperature of the product. Press "MODE" button to switch among such options as power/color temperature.
5. The power supply will shut down automatically if RC-11 is not operated 30 min after startup.

Tips:  
If several lights are used for shooting, do not change the channels having been set at will after confirming them. Set different lights into groups, such as including Light A into Group A and Light B into Group B... Special reminder: Do not set different lights into different channels. It is troublesome to adjust light by switching among different channels frequently. The method above is wrong, which will also occupy the channels of others and easily lead to mutual interference.

Model	RC-11 remote control
Wireless frequency	2.4 GHz Bluetooth wireless control system
Distance of remote control (vacant)	30m
Group of wireless remote control	A, B, C, D, E and F
Channel	1-19
Standby time	Automatic shutdown, if no operation 30 min after startup
Ambient temperature	-10-50°C
Power supply	1.5V AAA battery
Dimensions	101 mm x 38 mm x 18 mm
Weight	About 37 g (excluding battery)

### Specification

Model	H18
Range of color temperature	2800-6800K (adjustable)
Range of brightness	0%-100% (adjustable)
Range of color phase	0-360° (adjustable)
Max. luminous flux	1800lm
Max. illuminance	2770lx (5600K/100%/0.7M)
Max. power	18W
Channel	1-19
Group	A, B, C, D, E and F
CRI (color rendering index)	RA ≥95, TLCI ≥95
DC power interface	DC24V/1A, φ5.5*2.5mm
Battery endurance	110 min (100% power)
Remote control	RC-11 remote control (user needs to purchase it separately)
Dimensions	56x57x56mm
Weight	≈665.5g (bare light)

### VILTROX Warranty Card

VILTROX international warranty card is an important file. In case of requiring any warranty services during the warranty period, user needs to show the warranty card and original of invoice, both of which are stamped by the Company's authorized dealer. For any information about the change of our designated maintenance outlets and other information, please visit our website at www.viltrox.com. Please keep the warranty card properly, which will not be reissued once lost.

Product name	Dealer's name/seal
Model	
Warranty period	
Date of purchase	
Contact	

FCC ID: 2A6K7-H18

This device complies with Part 15 of the FCC Rules. Operation is subject to the following two conditions:

- (1) this device may not cause harmful interference, and (2) this device must accept any interference received, including interference that may cause undesired operation.

Changes or modifications not expressly approved by the party responsible for compliance could void the user's authority to operate the equipment.

### NOTE:

This equipment has been tested and found to comply with the limits for a Class B digital device, pursuant to Part 15 of the FCC Rules. These limits are designed to provide reasonable protection against harmful interference in a residential installation. This equipment generates, uses and can radiate radio frequency energy and, if not installed and used in accordance with the instructions, may cause harmful interference to radio communications. However, there is no guarantee that interference will not occur in a particular installation.

If this equipment does cause harmful interference to radio or television reception, which can be determined by turning the equipment off and on, the user is encouraged to try to correct the interference by one or more of the following measures:

- Reorient or relocate the receiving antenna.
- Increase the separation between the equipment and receiver.
- Connect the equipment into an outlet on a circuit different from that to which the receiver is connected.
- Consult the dealer or an experienced radio/TV technician for help.

The device has been evaluated to meet general RF exposure requirement. The device can be used in portable exposure condition without restriction.

**VILTROX**  
www.viltrox.com