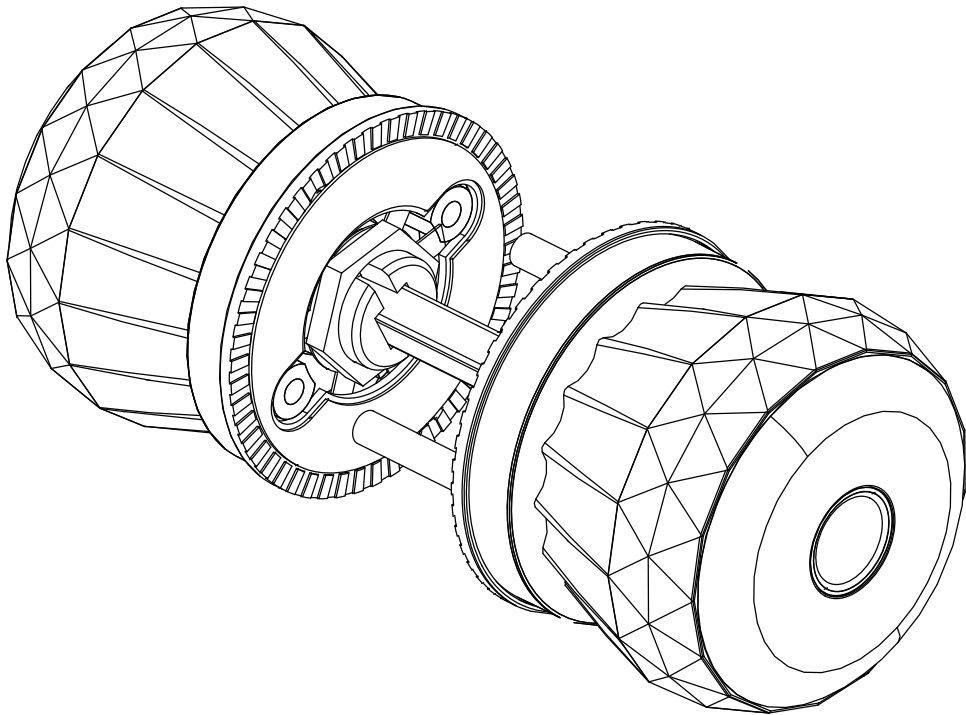


Smart Door Knob

USER MANUAL



DS02-QT-01 / DS02-QT-02

Product Profile	1
Features	1
Packing List	2
Installation Diagram	2
Door Preparation	3
Installation Instruction	4
Pair the Lock with Tuya App	6
Lock's Operation on App	7
Restore Factory Settings	10
Fcc	10

Note:

1. This lock is equipped with mechanical keys for manual unlocking. Remove mechanical keys from the package and keep them in a safe place and always have access to them.
2. To power on the lock, 2 x AAA Alkaline batteries (not included) are required.
3. This lock is used outdoors and indoors. The waterproof rating: IP45.
4. Keep your fingers clean when using this lock.

If you have any questions about the installation and usage process, please contact us by mail: lock-service@wellmalltech.com

Please read this manual before operating the smart lock, and keep it for further reference. Scan the QR code to watch the **INSTALLATION VIDEO**.



Product Profile

App Control Door Lock via Bluetooth

This smart lock uses the latest technology to make your life easier. It can be operated via bluetooth using the mobile App, it's suited for Homes, Apartments, Offices, Airbnbs, Motels, Holiday Homes, etc.

Specifications

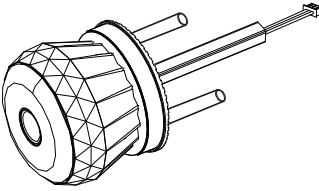
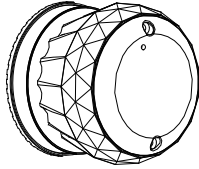
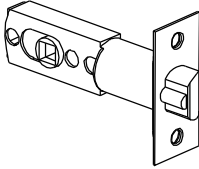

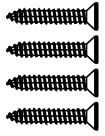


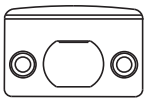
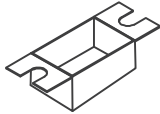
Material	Aluminum Alloy	Model No.	DS02-QT-01/DS02-QT-02
Door thickness	35mm-60mm	Part No.	2303TY-F
Working Temperature	-20°C~70°C	Working Humidity	20%~80%RH
Working Power Consumption	<200mA	Static Power Consumption	<80uA
Power Supply	1.5 V (2 x AAA Alkaline Batteries)		
Unlocking Methods	App, Fingerprint, Mechanical Key		
User Capacity	50 fingerprint users		
Product Dimension	Ø70*58mm		

★ All specifications are subject to change without notice. All rights reserved.

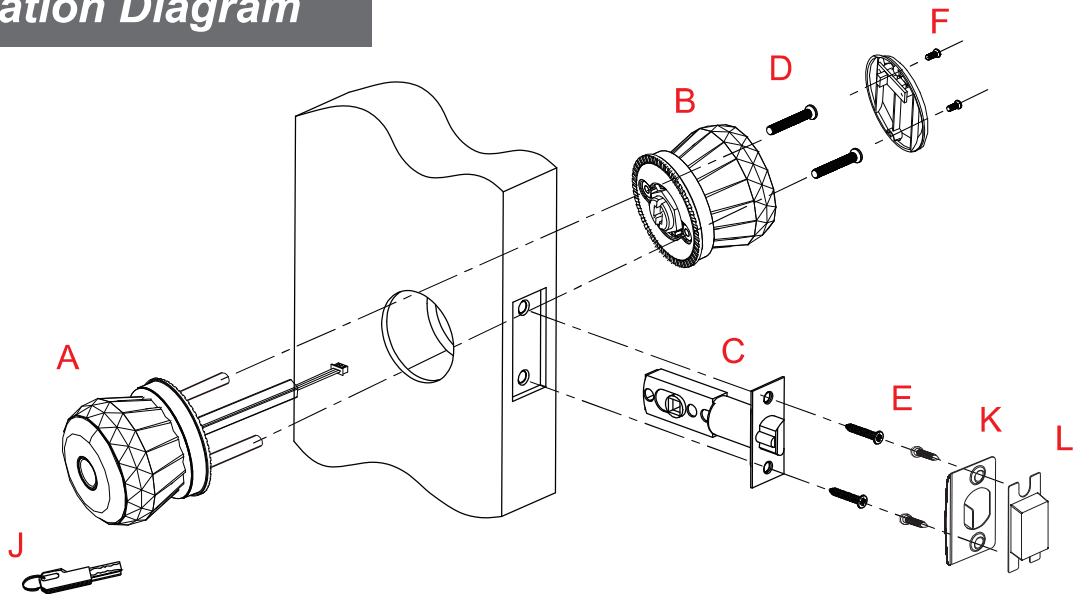
Features

- **Three Ways to Unlock:** App, Fingerprint, Mechanical Key.
- **Rugged:** Alloy body and strong handle design prevents forcible entry.
- **Idling lock handle design:** When the door is locked, the clutch is in idle position, the front handle will be turned. However, the door will remain locked.
- **Keyboard Locked:** After 5 times failed fingerprint attempts, fingerprint recognition will stop working for 3 minutes. Key and App Unlock can be used to unlock in this state.
- **Low power warning:** If the batteries are running low (lower than 4.8V or 20% of battery level), the lock will inform you five beeps every time when unlocking. You can also check battery level on the App.
- **Emergency Power Supply:** There is Type-C interface equipped on the bottom of the front handle to unlock the lock temporarily by connecting the power bank with Type-C cable. Please use a 5V2A or higher power bank for power supply.
- **Real Time Record:** You can check unlock records on your App.
- **Fingerprint indicator light(breathing light):** When adding fingerprints via App, the breathing light is blue. When unlocking with fingerprints successfully, the breathing light is green, and when unlocking with fingerprints fails, the breathing light is red.

Packing List

<p>A</p> 	<p>B</p> 	<p>C</p> 		
<p>D</p>  <p>30mm (For 35-45mm door)</p> <p>50mm (For 40-60mm door)</p>	<p>E</p>  <p>25mm</p>	<p>F</p>  <p>8mm (Pre installed on the back handle)</p>	<p>J</p> 	<p>K</p>  <p>L</p> 

Installation Diagram



A) Outdoor lock body * 1

B) Indoor lock body * 1

C) Single latch * 1

D) M4 x 30mm cross flat head screw * 2

M4 x 50mm cross flat head screw * 2

E) M4 x 25mm

cross flat head self-tapping screw * 4

F) M3 x 8mm cross round head screw * 2

J) Mechanical key * 2

K) Strike plate * 1

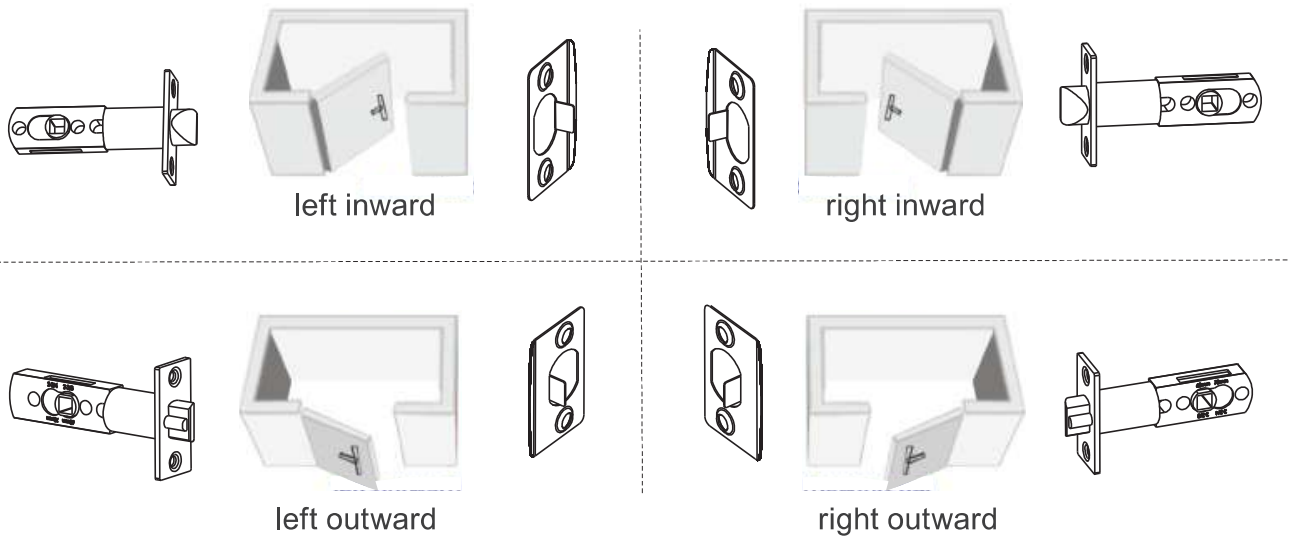
L) Latch holding plastic box * 1

Door Preparation

1. Check door thickness and Door Frame.

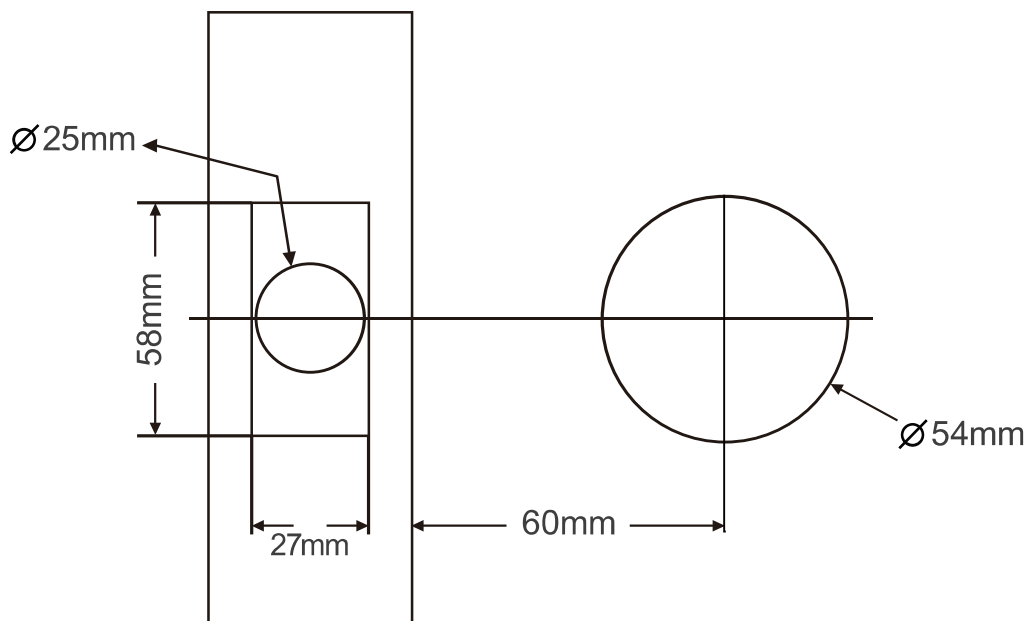
- Door frame $\geq 110\text{mm}$
- Door thickness: 35~60mm

2. Check door open direction.



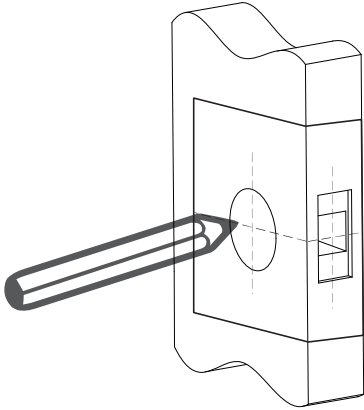
• Note: Please refer the above picture to adjust the direction of strike plate (K) and latch (C).

Drilling Template



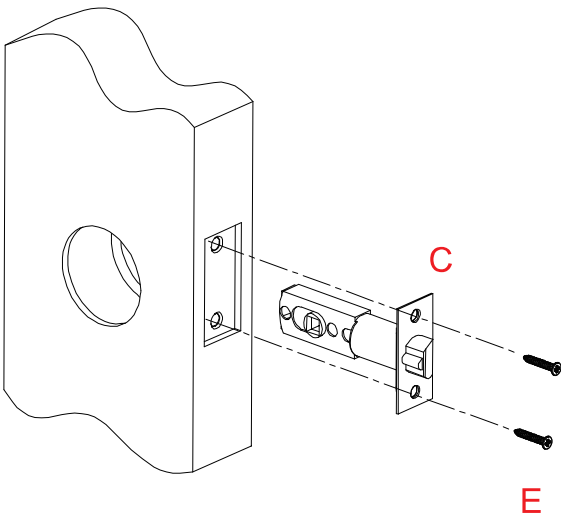
Installation Instructions

Step 1 Drill the holes according to the drilling template



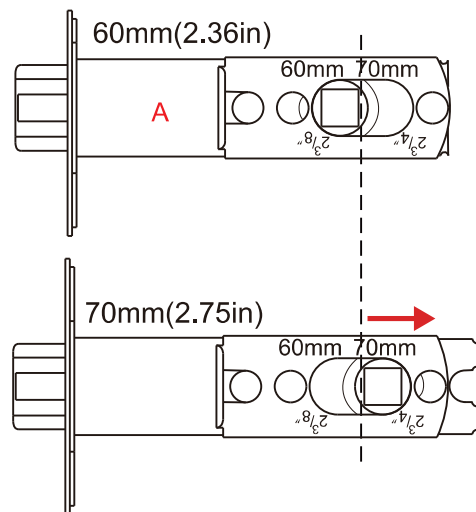
- Note:
 - 1) Check the required backset (60mm or 70mm).
 - 2) Align the template along the vertical center line of the single latch (C) at the desired height, and tape it to the door.
 - 3) Mark the holes first, then start drilling.

Step 2 Install the single latch (C) with screws (E)

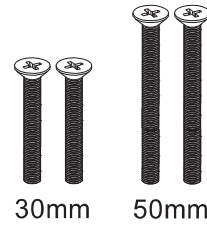
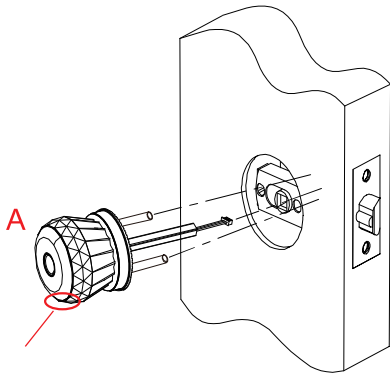


Note:

The single latch has TWO backset options: 60mm or 70mm. To change from 60mm to 70mm, hold the square hole of single latch and move it towards 70mm, taking care not to tilt the square hole.



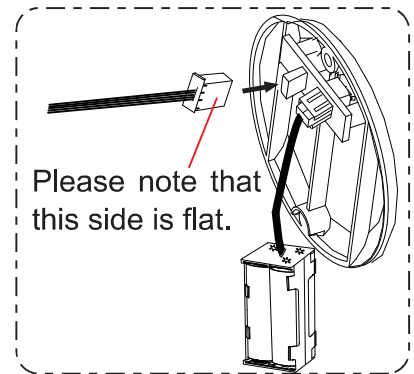
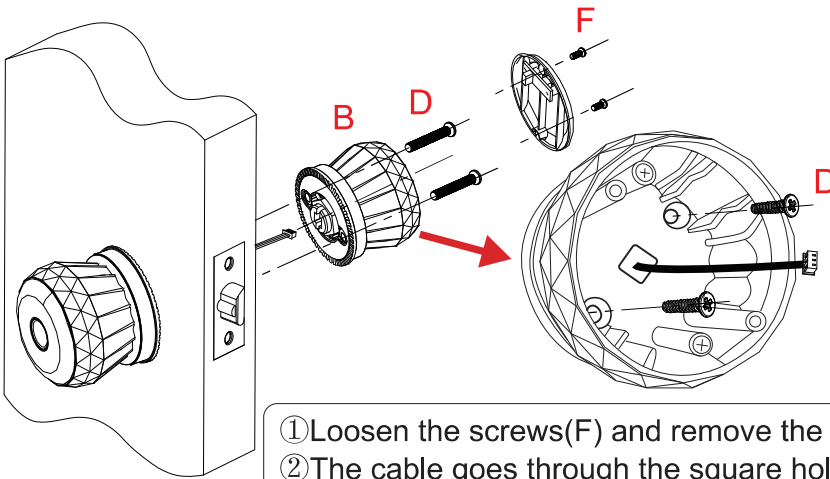
Step 3 Install outdoor unit (A)



Please select appropriate screws based on the thickness of the door

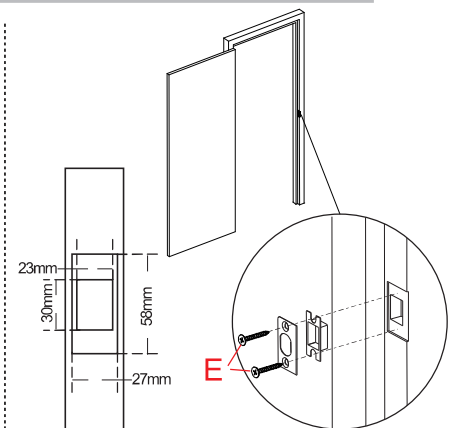
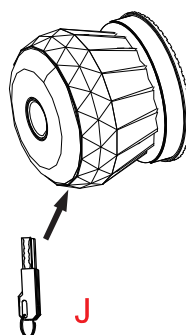
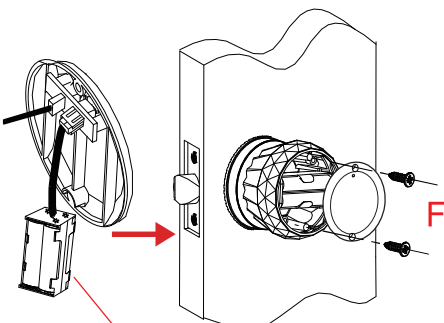
- Please follow the sticker prompts on the handle, note that keyhole and Type-C interface are facing downwards.

Step 4 Install indoor unit (B)



- ① Loosen the screws(F) and remove the cover of back handle.
- ② The cable goes through the square hole of back handle. Install back handle on the door with screws(D).
- ③ Connect the cable to the interface which is on the cover of back handle.

Step 5 Test the lock and install batteries



- Install 4 x AAA Alkaline batteries, follow the instructions to install the battery box. install the cover and rotate the back handle to test the lock.

- Insert the key and rotate the front handle to test the lock.

- Mark and drill holes for strike splate.

Pair the Lock with Tuya App

Under initialization mode, the lock can be unlocked by any fingerprint. Please pair your lock with Tuya App by following below steps before using the lock.

1. Tuya App Installation and Account Registration

1.1. Download the “Tuya Smart” App from Google play store or Apple store. You can also scan the QR code to download.

1.2. Install and register an account with your phone number or email.



Scan the QR code to download the App

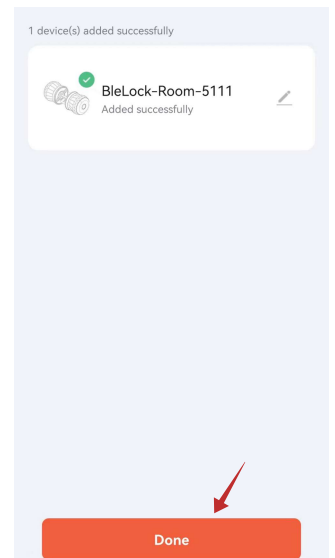
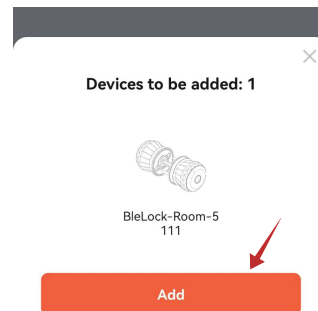
Note:

The App supports Android 4.3 / IOS7.0 version and above.

2. Pair the lock with Tuya App

2.1. Turn on the Bluetooth on your phone.

2.2. Open Tuya Smart App on your phone, App will automatically search and display device that can be added. When you see the device (named “BleLock-Room-5111”), click “Add”, the lock is added successfully, you can rename the lock. Finally click “Done”.

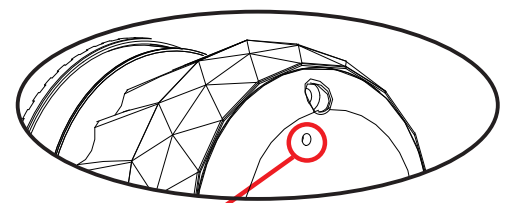


You can also add the lock manually: Open App - click “Add device” – “Camera & Lock” under “Electrical” bar – click the icon “Lock(BLE)” – “Next” – App search the device that can be add and automatically add it, finally click “Done”.

Note:



1. After successfully pairing, Tuya App on your phone becomes Administrator of the lock.
2. If you do not find the lock on App when pairing, please reset the lock: Use a small pin tool to press the reset button (on the back handle) without release for about 5 seconds. Then you can pair the lock by following the steps above.

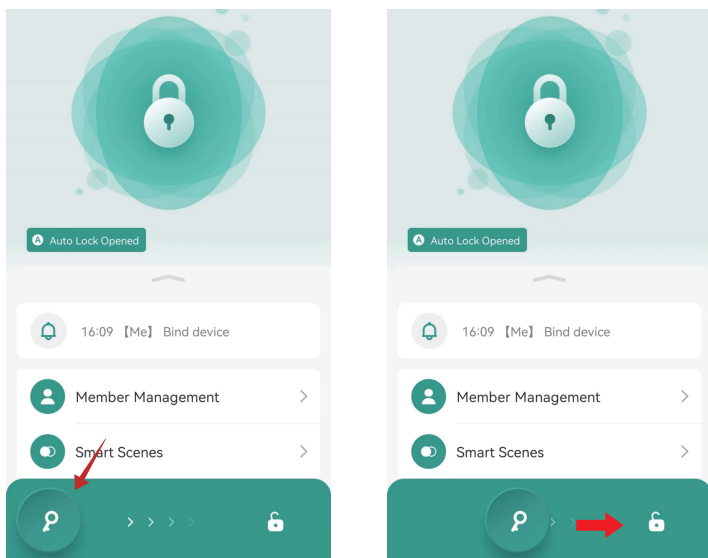
3. Once you pair the lock with your App account, the lock will not be able to link to other accounts, unless you remove the lock from your App.



Reset button (inside this hole)

Lock's Operation on App

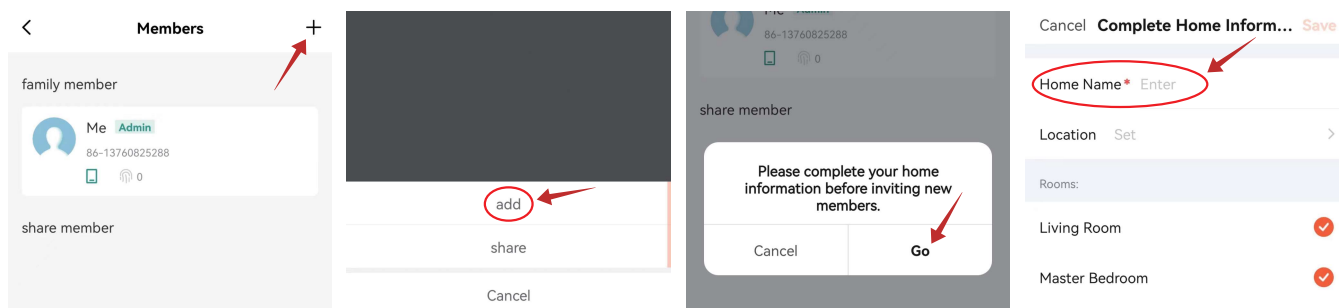
After pairing the lock with App, enter operation page of lock. You can hold the icon  and slide to the icon  to unlock the lock.



1.Member Management

You can add Fingerprint to unlock for yourself in Member Management.

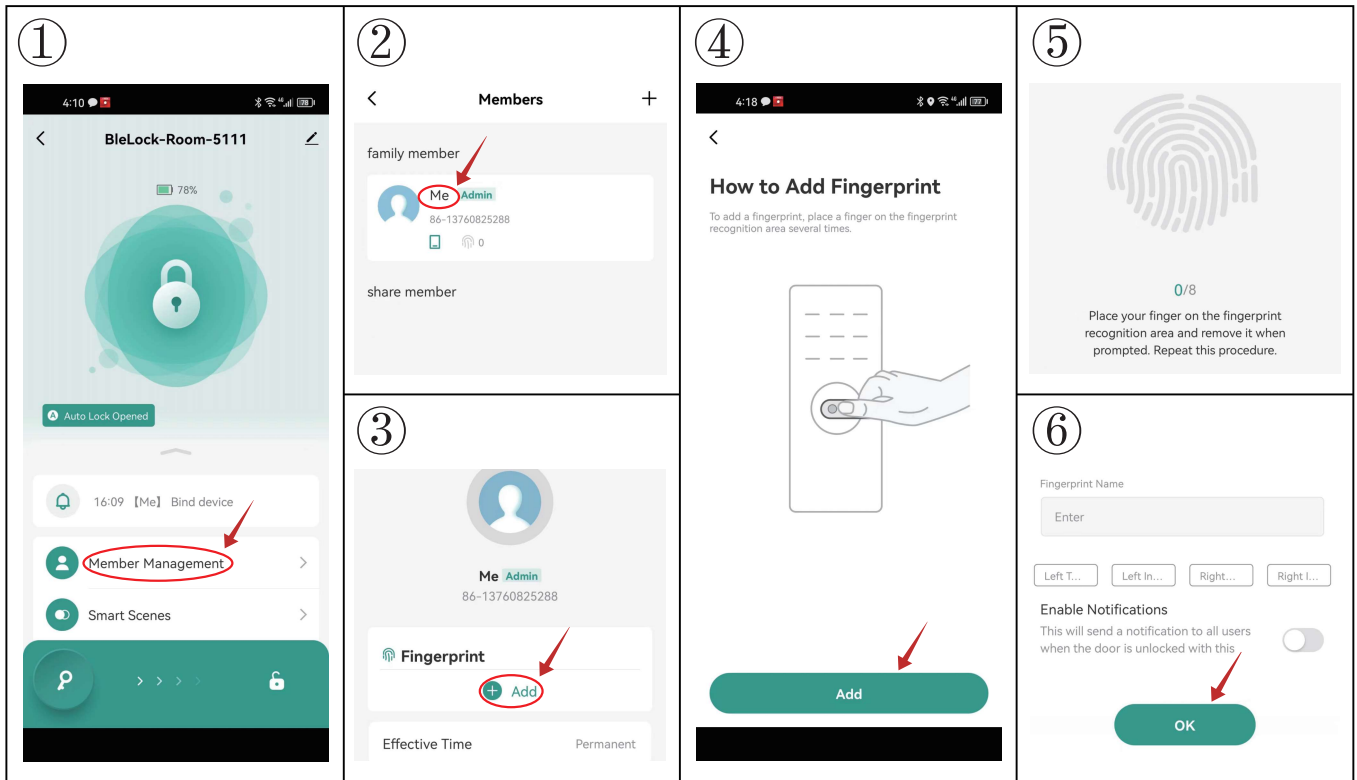
If you add fingerprint for new members, please complete “home information” at first by following the prompts(as below).



1.1. Set Fingerprint for yourself(Admin)

You can set your own fingerprint by following steps:

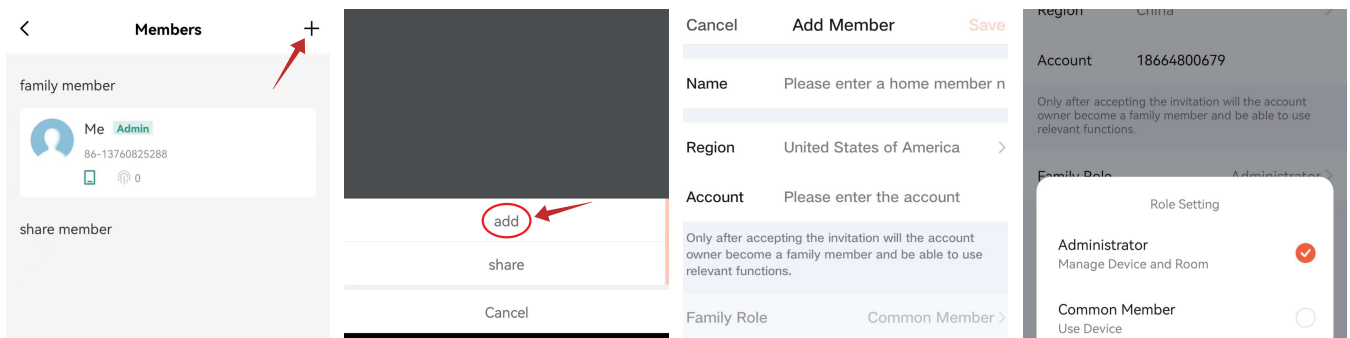
Member Management - Click “Me” – Click “Add” – Place your finger on recognition area of lock (need to repeat 8 times) –Name it & click OK



1.2. Set Fingerprint for new members

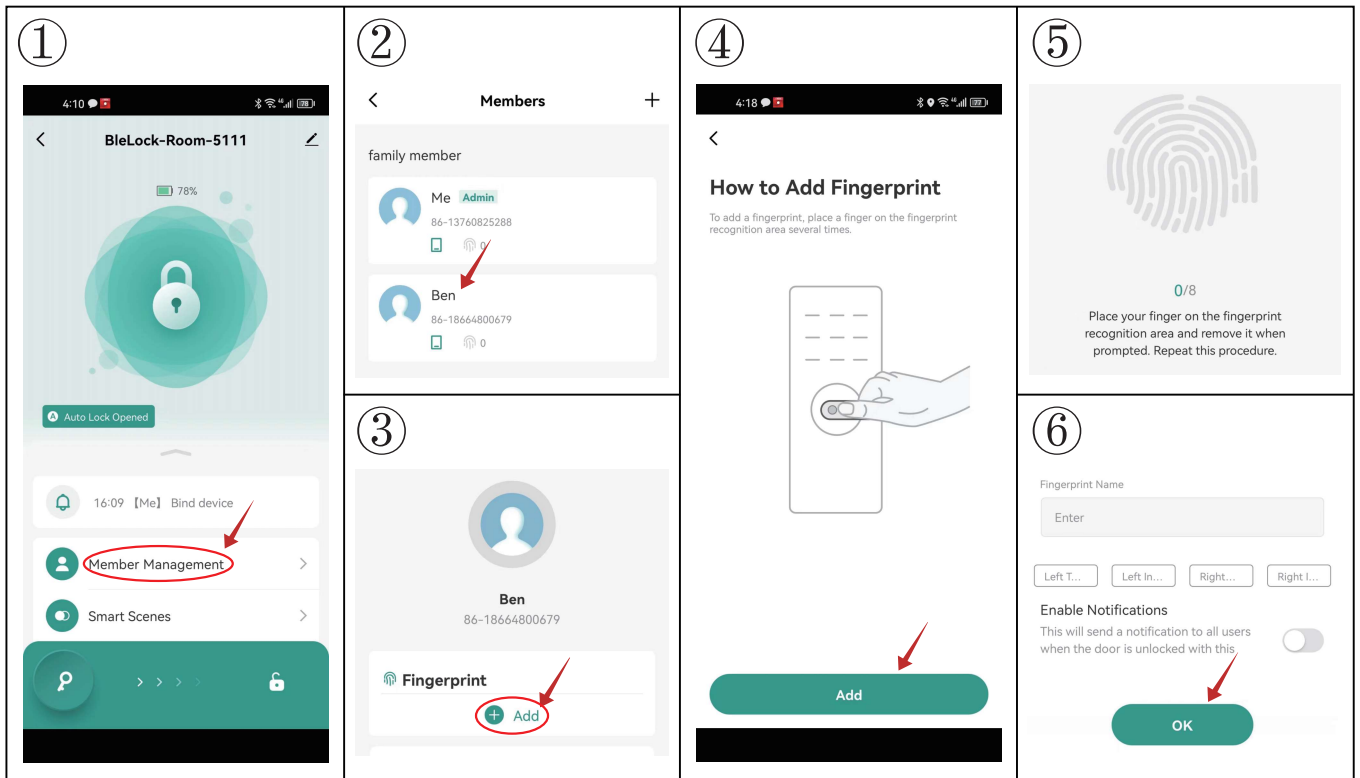
1.2.1. Add new member

You can add member as Administrator or Common Member as Family Role. If adding member as administrator, the member must have a Tuya account. For common member, the member does not need to have a Tuya account.



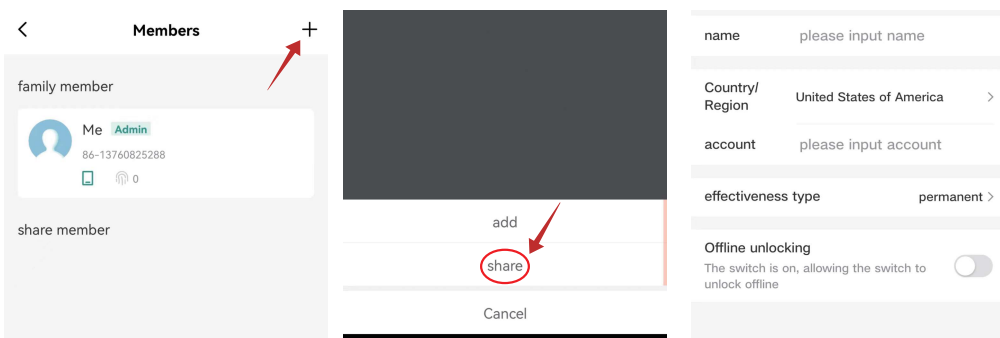
1.2.2. Set fingerprint for new members by following steps:

Member Management - Select the member – Click “Add” – Place your finger on recognition area of lock (need to repeat 8 times) –Name it & click OK

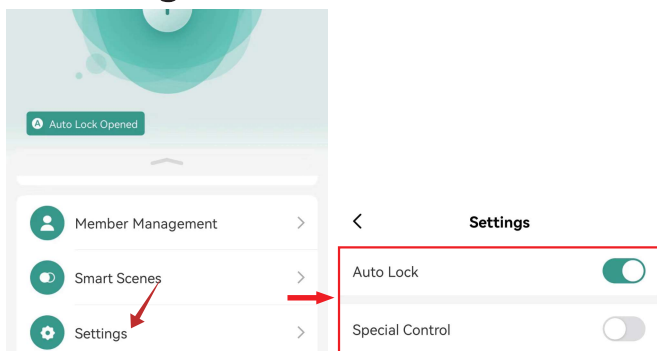


1.3. Share

You can share the permission of App unlock with others, who must have a Tuya account. Effectiveness type of the permission can be permanent/single/limit. The person who has obtained this permission can unlock the lock with Tuya App.



2. Setting



2.1. Auto Lock

The lock is auto-lock for default. It means that the lock will lock automatically 5 seconds after unlocking. If turn off “Auto Lock” on App, the lock will not lock automatically after unlocking.

There are two methods to auto-lock again:

Method 1: Turn on “Auto Lock” on App.

Method 2: Use any fingerprint which is set to unlock the lock.

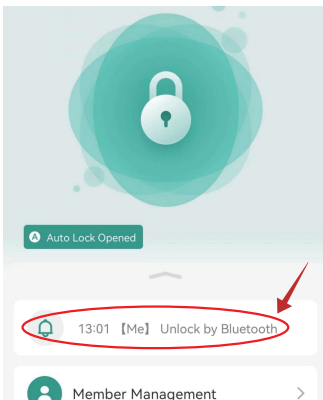
2.2. Special Control

Special Control is off for default. Special Control can be turned on or off on App.

When Special Control is on, the common member can not unlock the lock with fingerprint. Administrator’s fingerprint and share member’s App can still unlock the lock.

3. Record

To view the records of unlocking and setting.

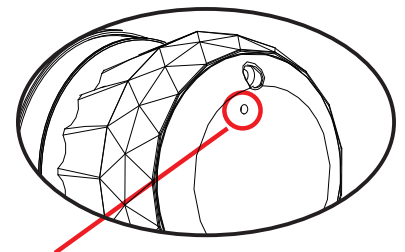


Restore Factory Settings

There are two methods to reset the lock.


Method 1: Reset on the lock

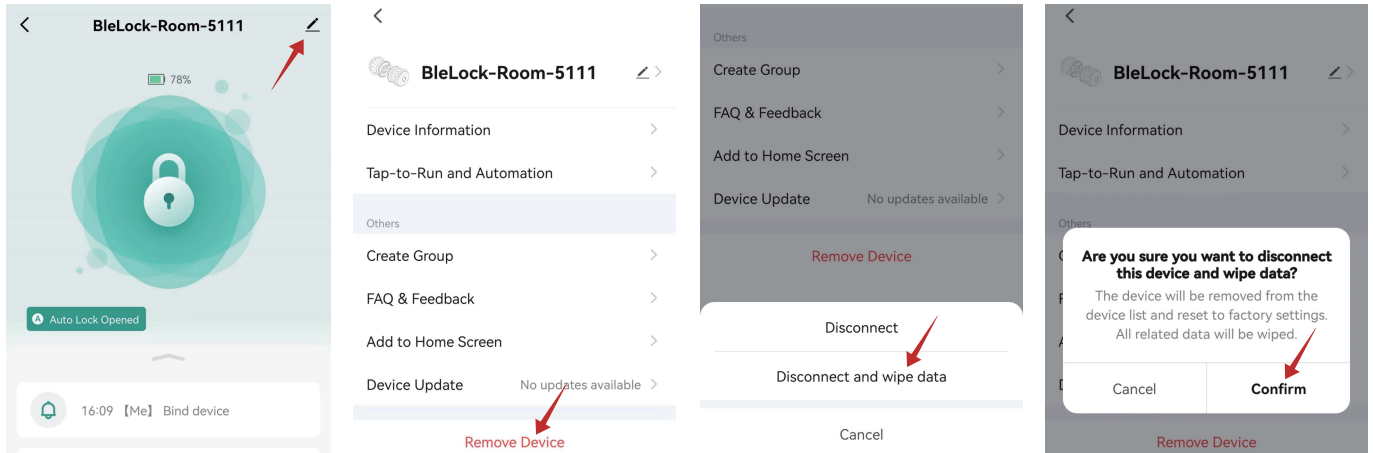
Use a small pin tool to press the reset button (on the back handle) without release for about 5 seconds.



Reset button (inside this small hole)

Method 2: Remove the lock from App to reset

1. Enter the interface of the lock on App, and Click the icon  on the upper right corner.
2. Click “Remove Device”.
3. Click “Disconnect and wipe data”.
4. Click “Confirm”.



Fcc

This equipment has been tested and found to comply with the limits for a Class B digital device, pursuant to part 15 of the FCC Rules. These limits are designed to provide reasonable protection against harmful interference in a residential installation.

This equipment generates, uses and can radiate radio frequency energy and, if not installed and used in accordance with the instructions, may cause harmful interference to radio communications. However, there is no guarantee that interference will not occur in a particular installation. If this equipment does cause harmful interference to radio or television reception, which can be determined by turning the equipment off and on, the user is encouraged to try to correct the interference by one or more of the following measures:

- 1.Reorient or relocate the receiving antenna.
- 2.Increase the separation between the equipment and receiver.
- 3.Connect the equipment into an outlet on a circuit different from that to which the receiver is connected.
- 4.Consult the dealer or an experienced radio/TV technician for help.

This device complies with part 15 of the FCC Rules. Operation is subject to the following two conditions:

- (1)This device may not cause harmful interference, and
- (2) this device must accept any interference received, including interference that may cause undesired operation.

Caution: Any changes and modifications that are not approved by the manufacturer may result in the loss of your permission to operate the device restore your lock to factory settings and delete all smart phones and fobs.