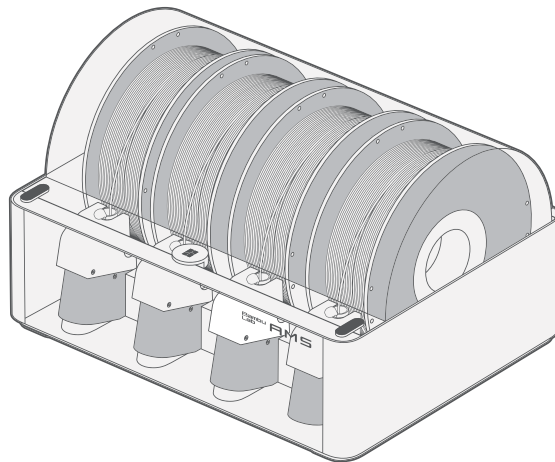


# Bambu Lab **AMS**

## Quick Start

Please review the entire guide before operating the AMS

\* Safety Notice: Do not connect to power until the assembly is complete.



---

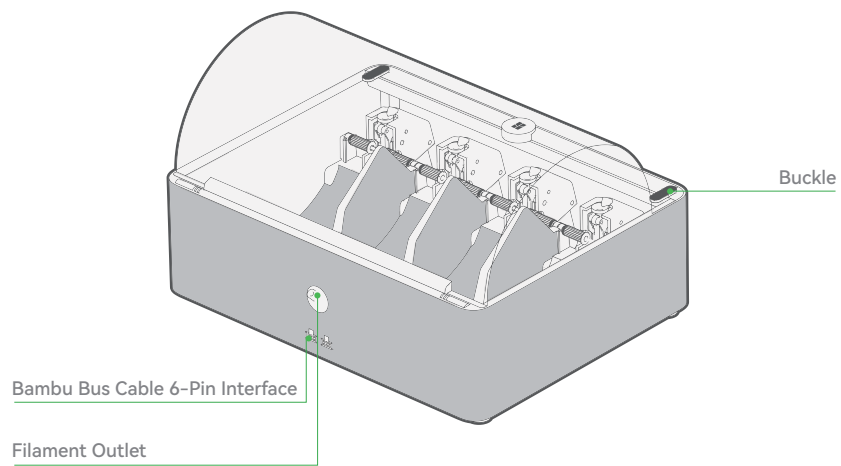
**\*Warning:**

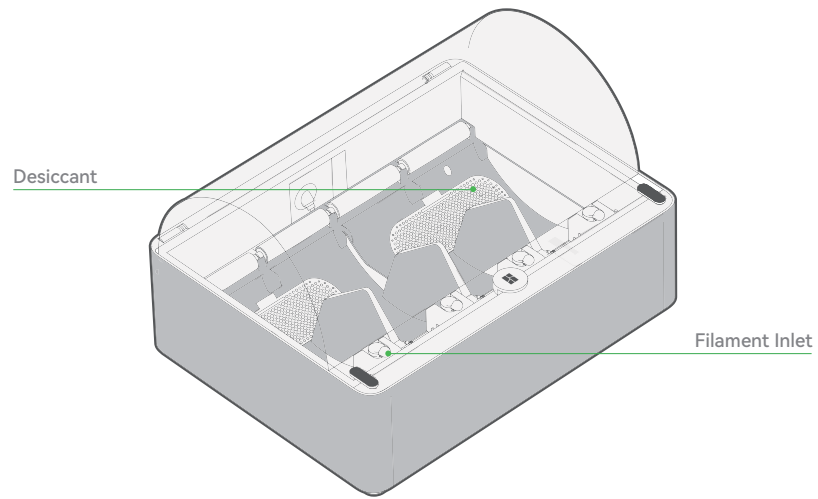
When operating the AMS, we recommend using Bambu Filament, which has been thoroughly tested to work with the AMS. Please make sure to avoid using soft materials like TPU or damp PVA, as they can get stuck in the AMS, and please avoid using cardboard spools as the spool may slip. If you run into any issues with specific filaments, please let us know so that we can provide better advice to our community.



## Component Introduction

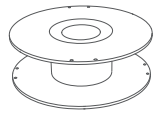
---



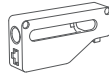


## Accessory Specification

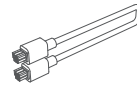
---



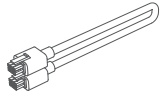
Bambu Reusable Spool (x4)



Filament Buffer



Bambu Bus Cable-4Pin



Bambu Bus Cable-6Pin



Spare Filament Cutter(x2)



PTFE Tube



PTFE Tube Connector

