

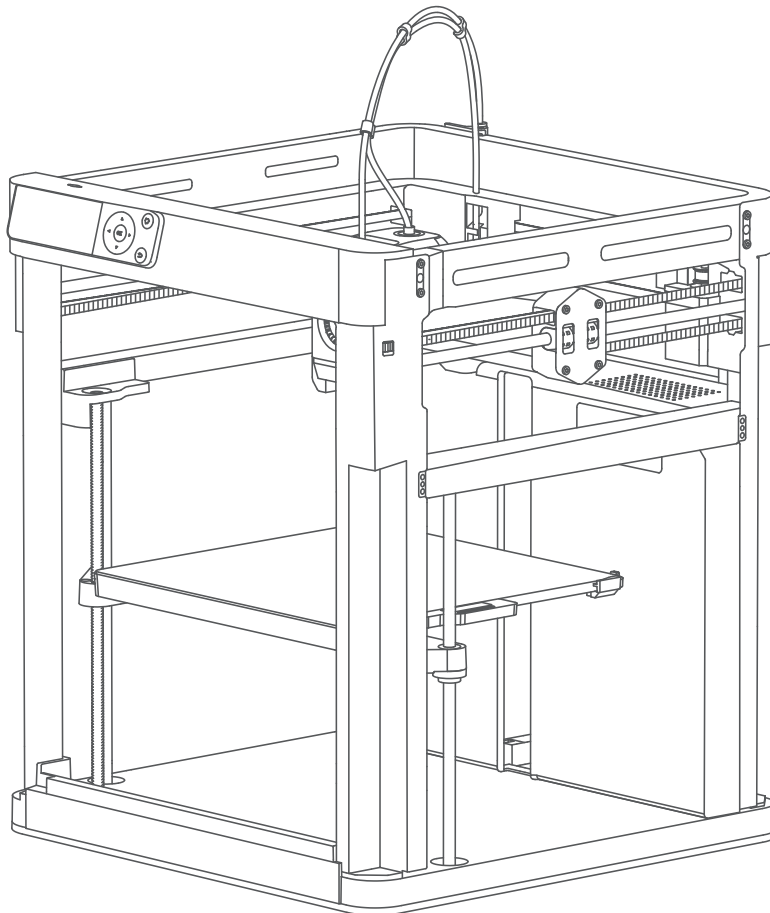
Bambu Lab P1P

3D Printer

Quick Start

Please review the entire guide before operating the printer.

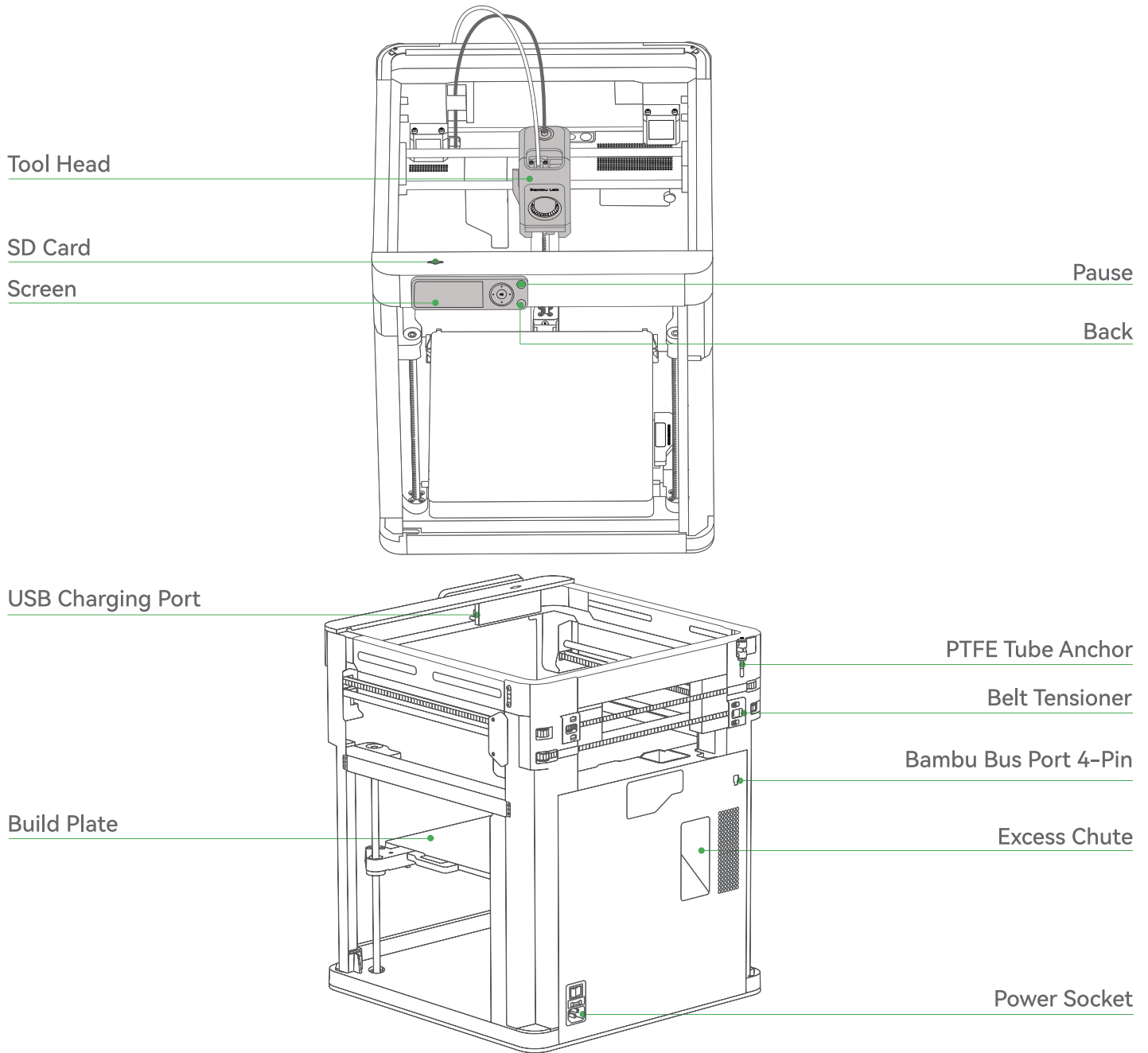
* Safety Notice: Do not connect to power until assembly is complete.



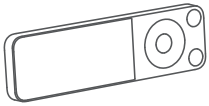


Bambu Studio & Bambu Handy
<https://bambulab.com/download>

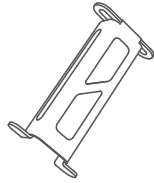
Component Introduction



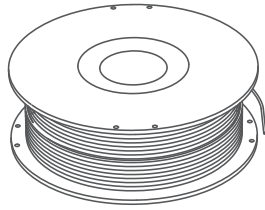
Accessory Specification



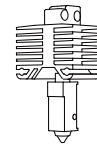
Screen



Spool Holder



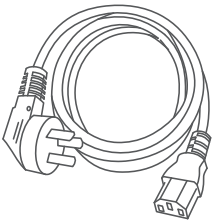
Filament



Spare Hot End



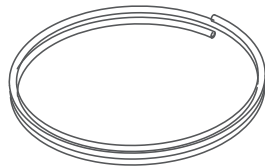
Nozzle Wiping Pad (x2)



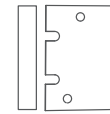
Power Cord



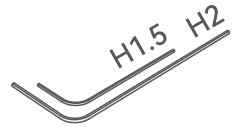
Unclogging Pin Tool



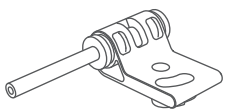
PTFE Tube



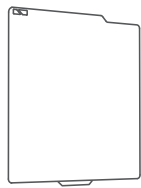
Bambu Scraper



Allen Key H1.5
Allen Key H2



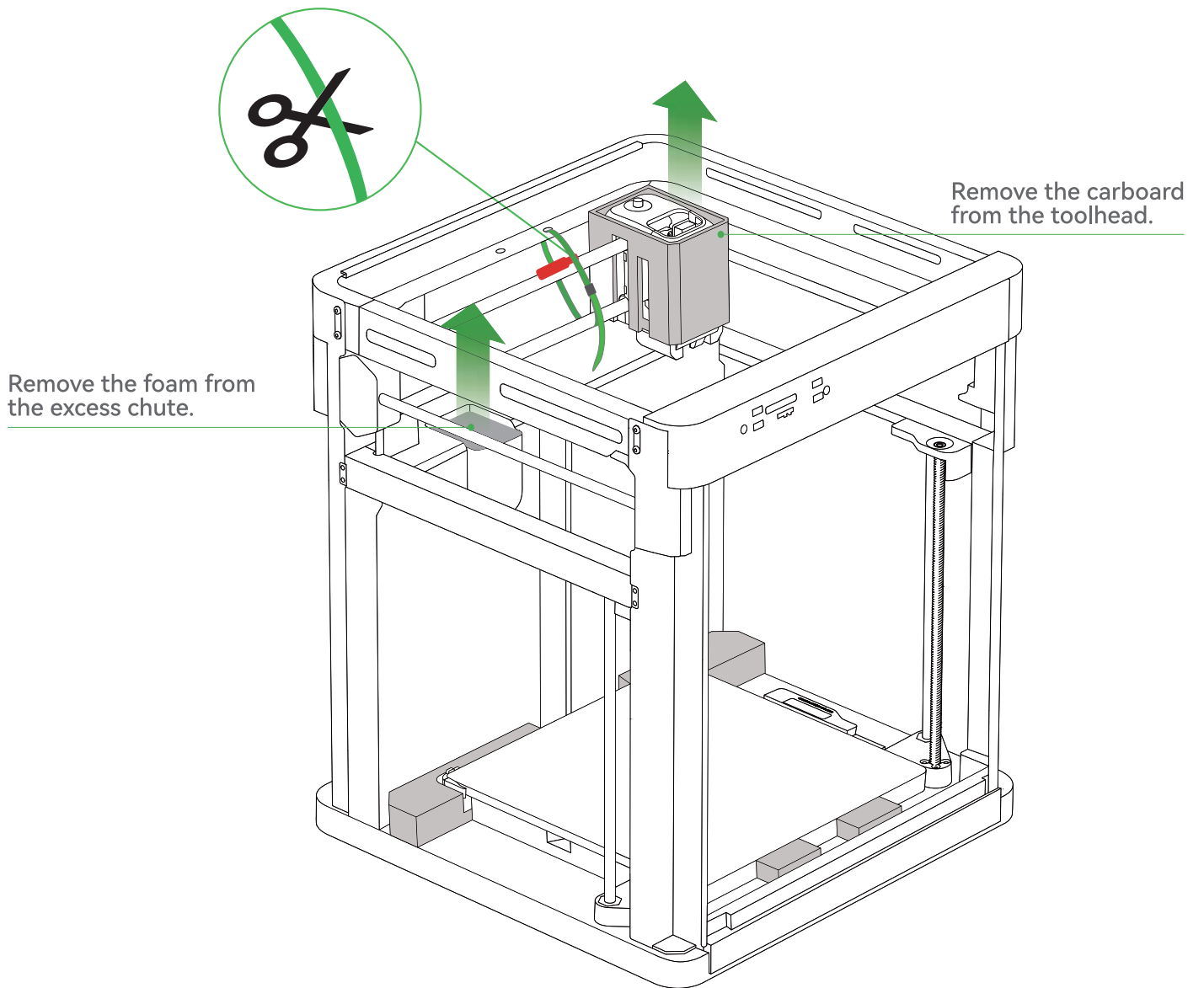
PTFE Tube Anchor



Build Plate

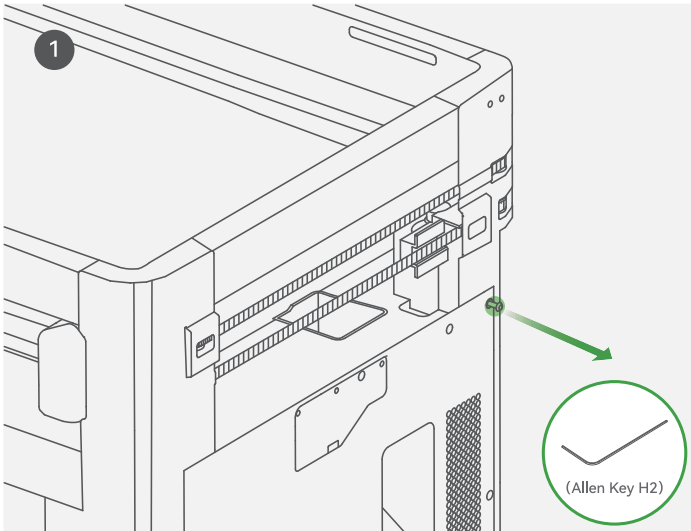
Tool Head Unlock

Cut the zip tie securing the toolhead.

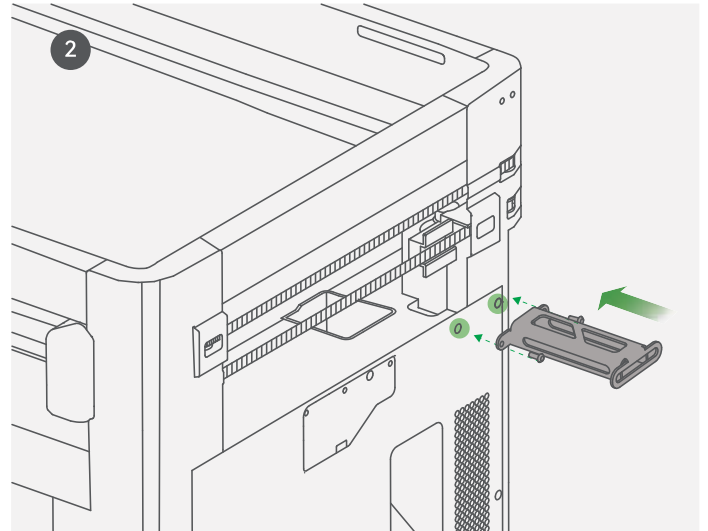


Spool Holder & PTFE Tube Anchor Assembly

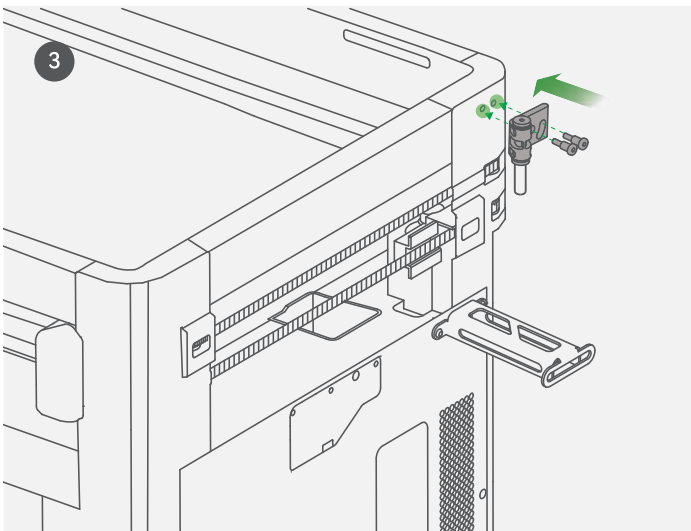
*We recommend using the short end of the Allen Key to unlock the screws more easily.



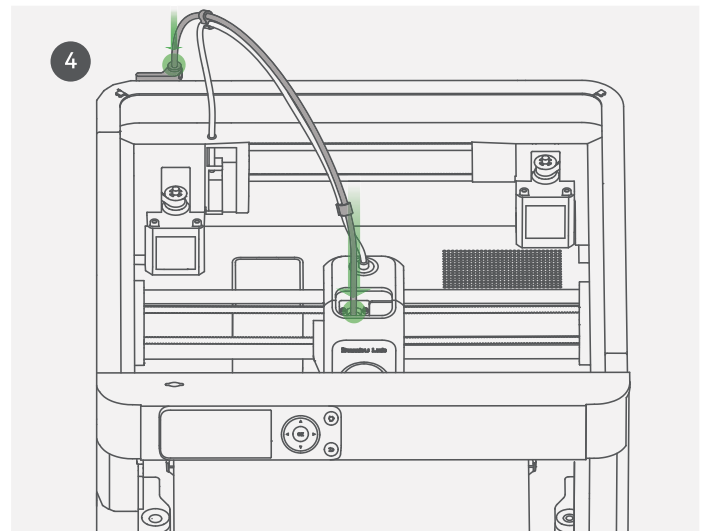
Remove the screws as pictured with an Allen Key H2.



Secure the spool holder with two screws from the accessory box.

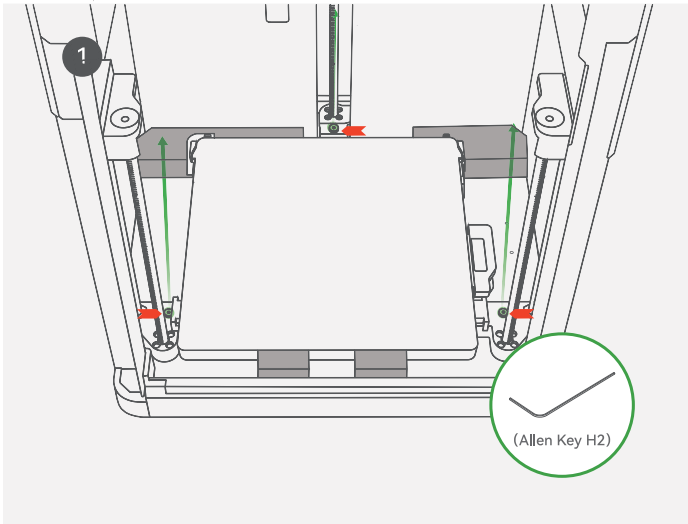


Secure the PTFE tube anchor with two screws from the accessory box.

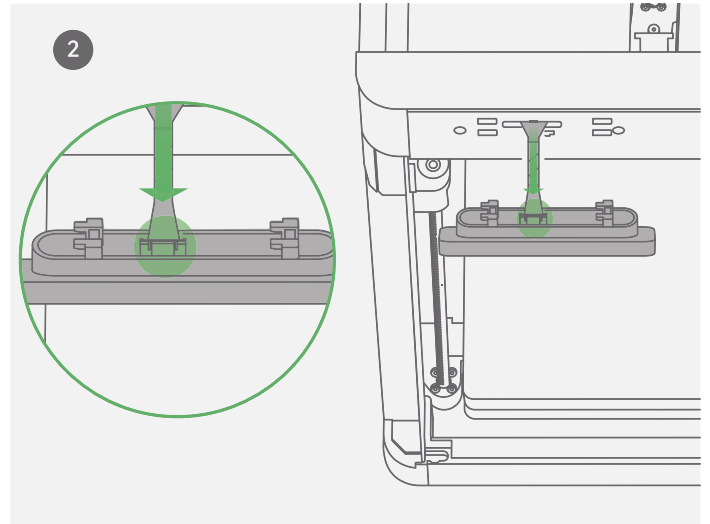


Place the PTFE tube as pictured. Make sure both ends of the PTFE tube are inserted tightly.

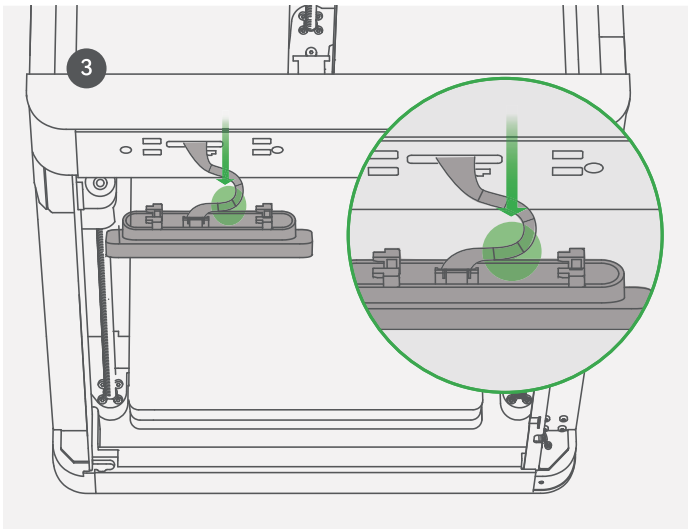
Hot Bed Unlock & Screen Installation



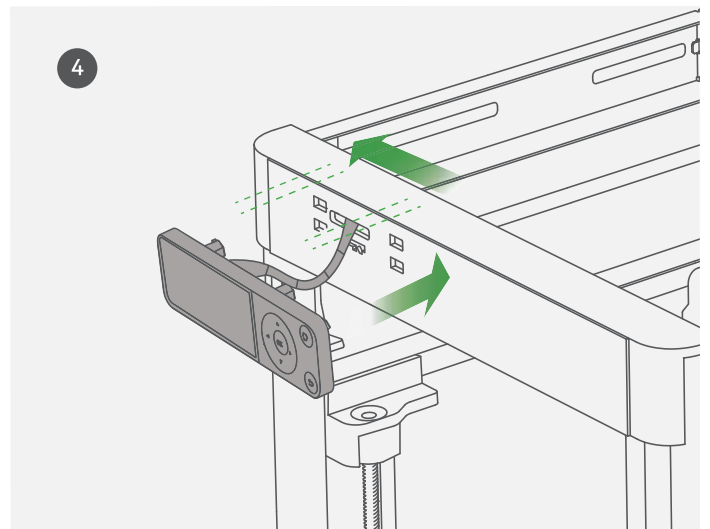
Remove the three screws with an Allen Key H2 to unlock the hot bed.



Insert the LCD cable into the port by plugging it into the terminal as pictured.



Attention: Bend the LCD cable towards the opening on the back of the screen as pictured.



Inset the screen back to the slot on the printer, then lock it by pushing it to the left.

Printer Binding

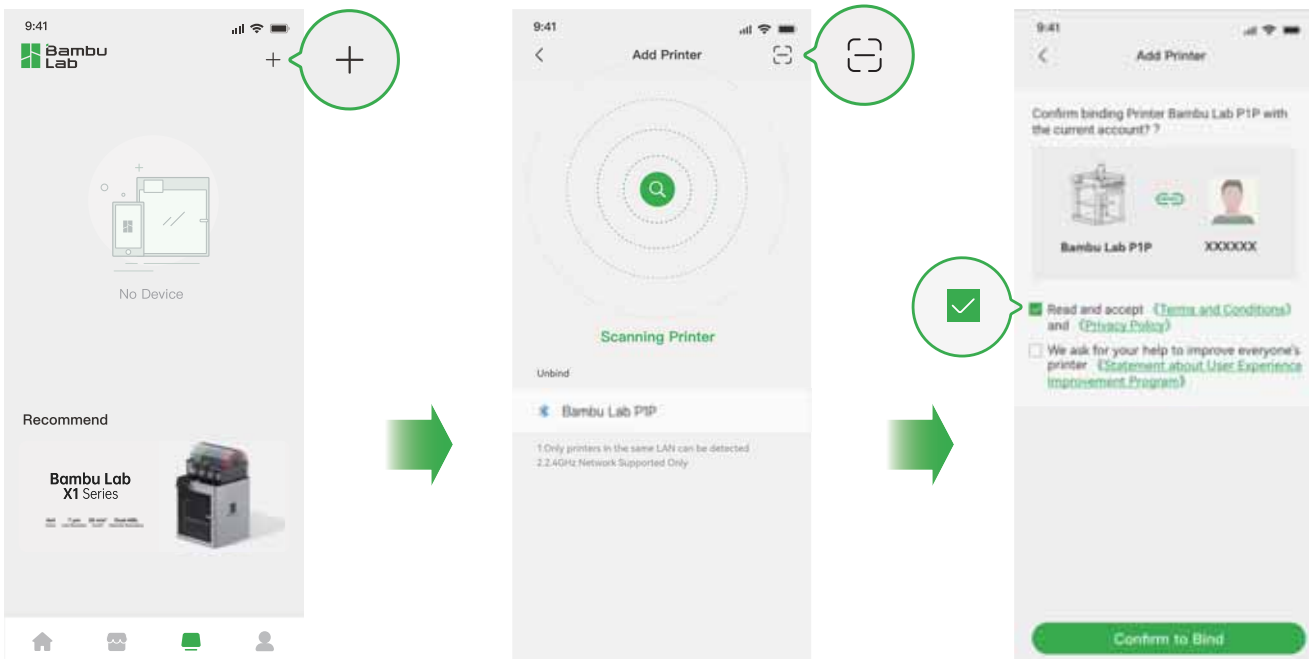
1. Download the Bambu Handy App. Register and log in to your Bambu Lab account.



2. Connect the printer to power. Follow the instructions on the screen until getting to the page shown on the right side.



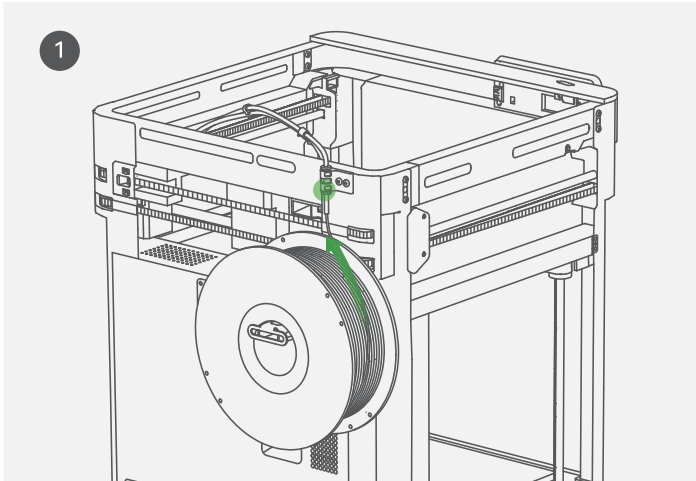
3. Use Bambu Handy to scan the QR code on the screen, and bind your printer with your Bambu Lab account.



4. Follow the instructions on the screen to complete the initial calibration. It is normal to have vibration and noise during the calibration process.

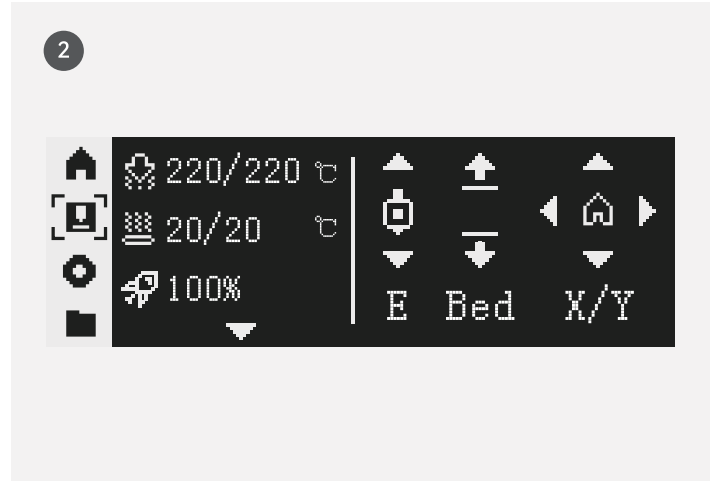
DO NOT remove the protective foam from beneath the hot bed until after the initial calibration is complete.

First Print



Insert filament into the PTFE Tube. Keep pushing the filament until it can not move forward.

*We recommend using the supplied Bambu PLA Basic for your first test print.



Select "🏠"-"🔧", and heat the nozzle to the recommended temperature for the filament. Select "🏠"-"E"-"▼" several times until the filament comes out from the nozzle and cannot be pulled out from the PTFE tube anchor manually.

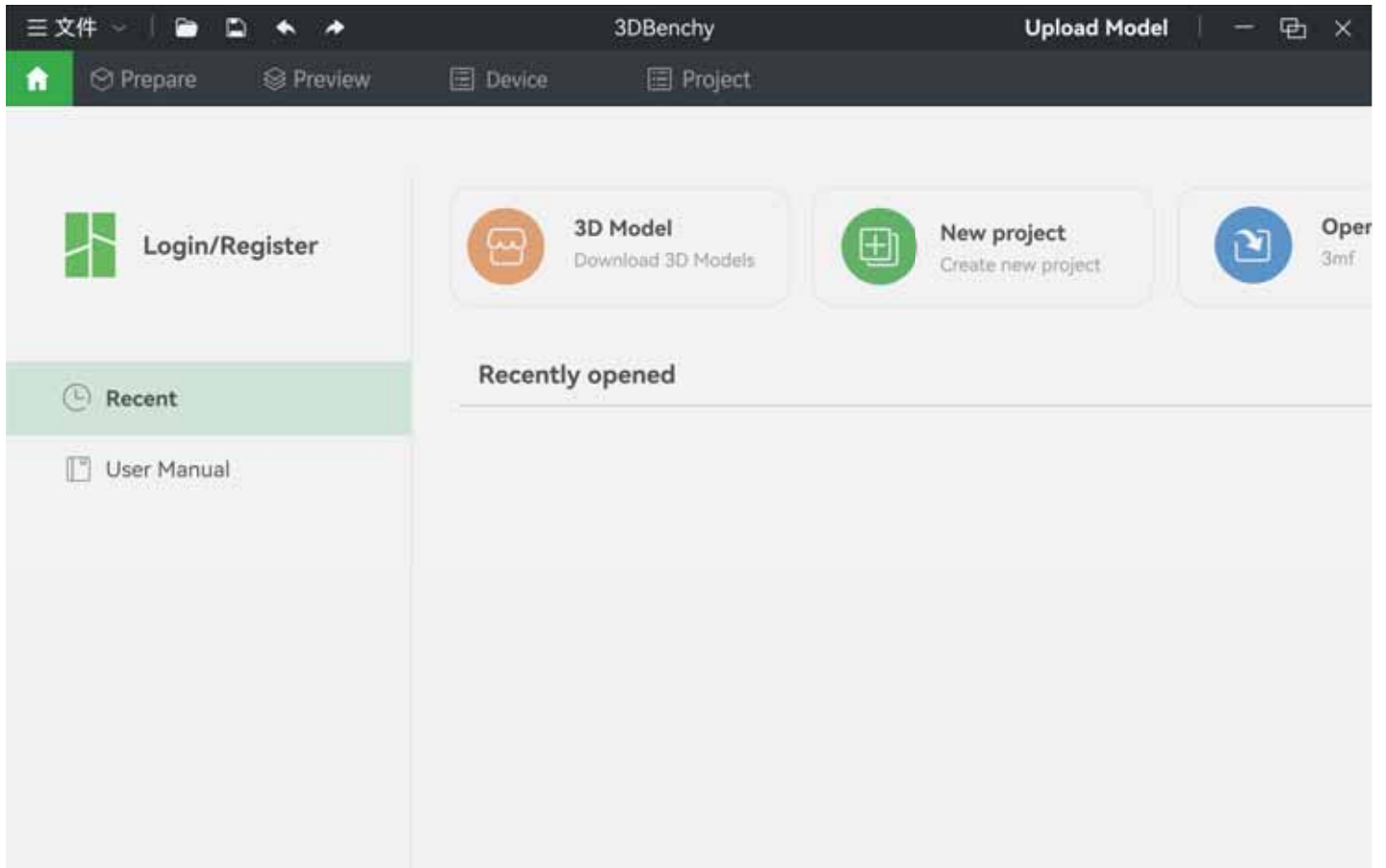


Select "📁" and select a file to start the first print.

*We recommend using one of the pre-loaded files as a first test print.

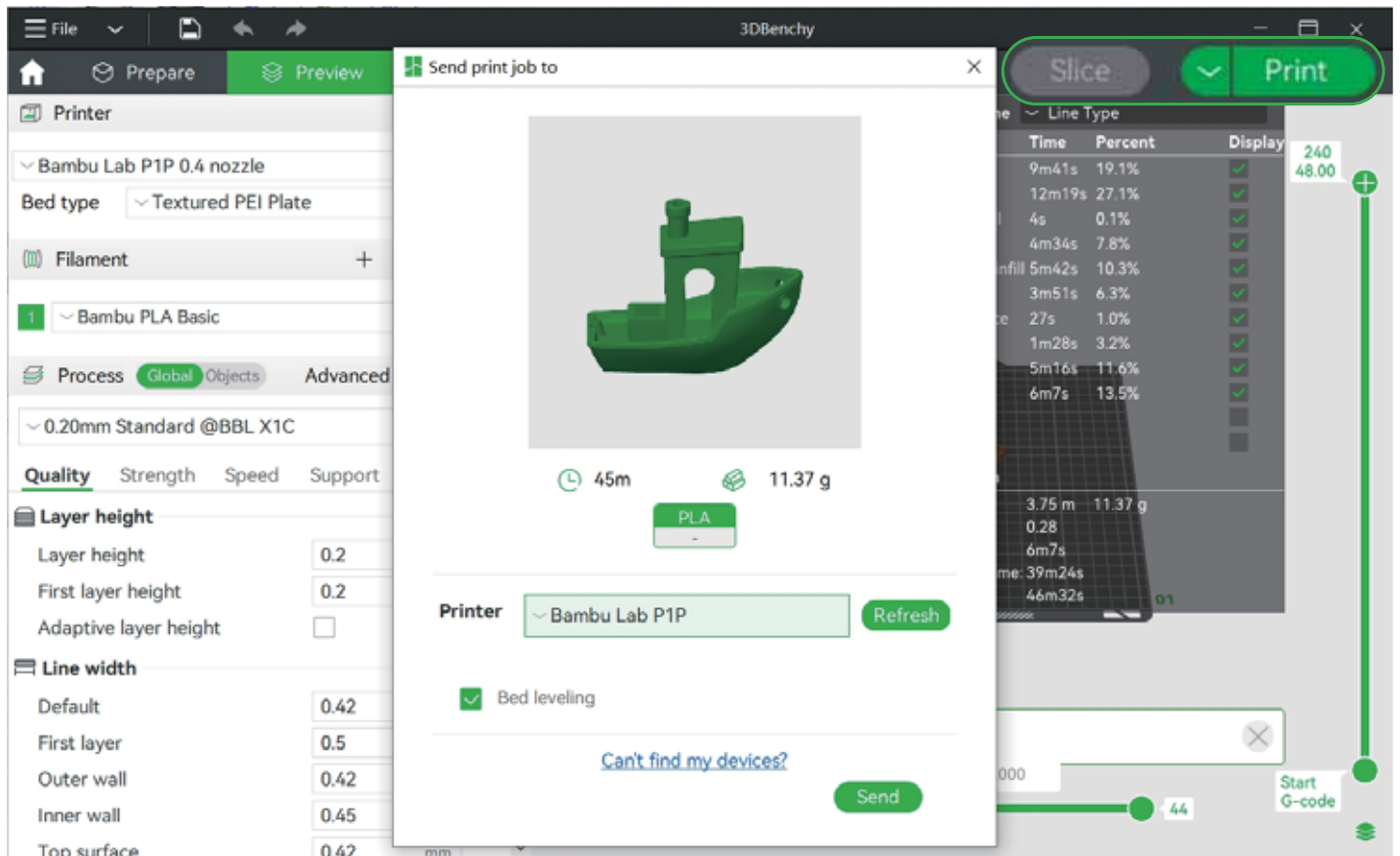
Bambu Studio

Download Bambu Studio: <http://bambulab.com/download>



Log in to Bambu Studio with your Bambu Lab account, which is the same for the Bambu Online store. Create or open a project.

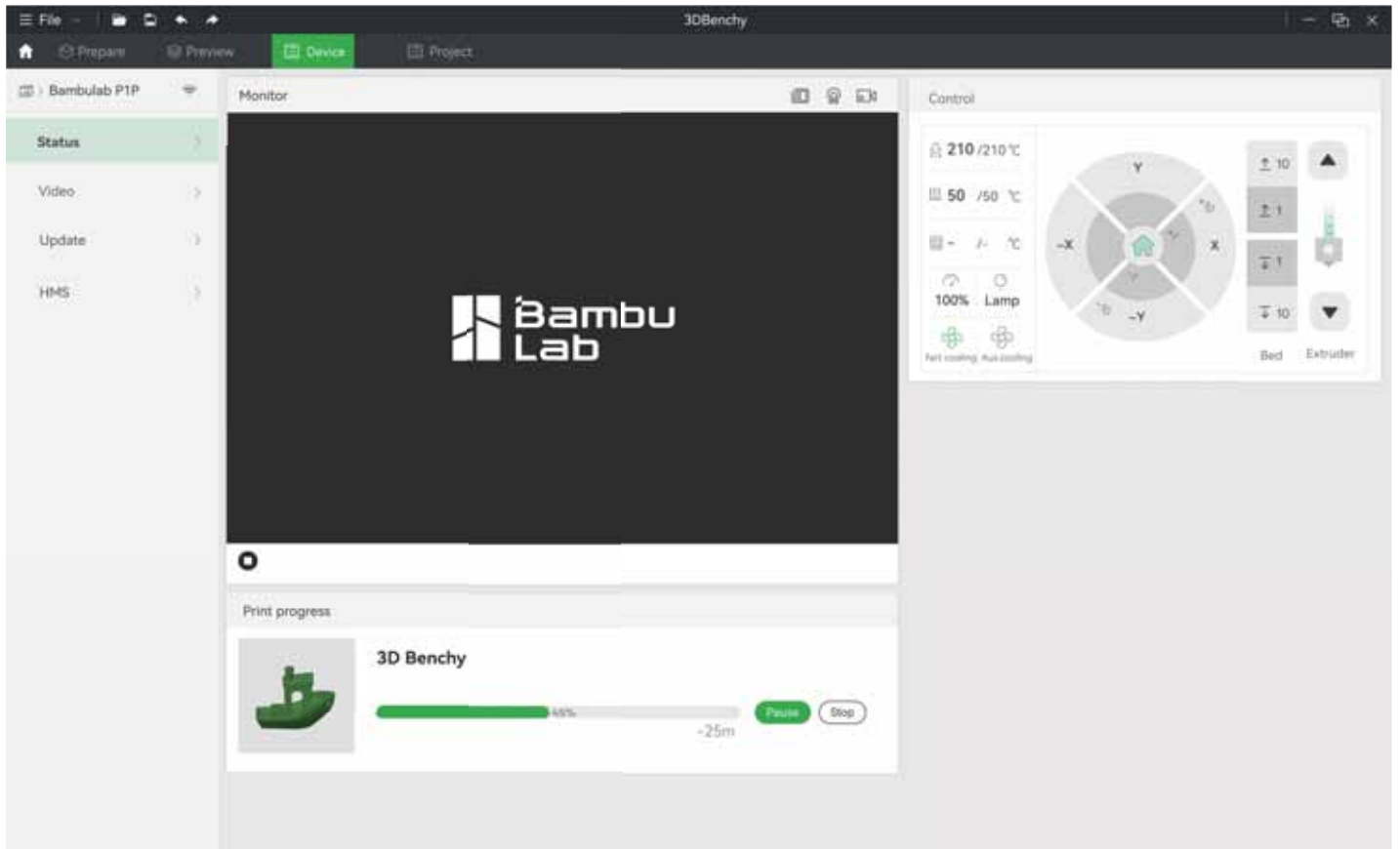
Bambu Studio



Slice the model, select your printer and send the model to print.

*We recommend doing bed leveling everytime you start a print.

Bambu Studio



During printing, you can remotely monitor your print, or pause/stop printing on the "Device" interface.

*The live view can be seen only if a camera is mounted.

Specification

Item		Specification
Printing Technology		Fused Deposition Modeling
Body	Build Volume(W×D×H)	256*256*256 mm
	Chassis	Steel
	Shell	Printable
Tool Head	Hot End	All-Metal
	Extruder Gears	Steel
	Nozzle	Stainless Steel
	Max Hot End Temperature	300 °C
	Nozzle Diameter (Included)	0.4 mm
	Nozzle Diameter (Optional)	0.2 mm, 0.6 mm, 0.8 mm
	Filament Cutter	Yes
	Filament Diameter	1.75 mm
Hot bed	Compatible Build Plate	Bambu Dual-Sided Textured PEI Plate Bambu Cool Plate Bambu Engineering Plate Bambu High Temperature Plate
	Max Build Plate Temperature	100°C
Speed	Max Speed of Tool Head	500 mm/s
	Max Acceleration of Tool Head	20 m/s ²
	Max Hot End Flow	32 mm ³ /s @ABS(Model: 150 * 150 mm single wall; Material: Bambu ABS; Temperature: 280°C)
Cooling	Part Cooling Fan	Closed Loop Control
	Hot End Fan	Closed Loop Control
	Control Board Fan	Closed Loop Control
	Auxiliary Part Cooling Fan	Upgradeable
Supported Filament	PLA, PETG, TPU, ASA, PVA, PET	Ideal
	PA, PC, ABS	Capable
	Carbon/Glass Fiber Reinforced Polymer	Not Recommended
Sensors	Chamber Monitoring Camera	Upgradeable
	Filament Run Out Sensor	Yes
	Filament Odometry	Optional with AMS
	Power Loss Recover	Yes
Physical Dimensions	Dimensions (W×D×H)	386*389*458 mm
	Net Weight	9.65 kg

Specification

Electrical Requirements	Input Voltage	100-240 VAC, 50/60 Hz
	Max Power	1000 W @220 V, 350 W @110 V
	USB Output Power	5 V/1.5 A
Electronics	Display	2.7-inch 192x64 Screen
	Connectivity	Wi-Fi, Bluetooth, Bambu-Bus
	Storage	Micro SD Card
	Control Interface	Button, APP, PC Application
Software	Motion Controller	Dual-Core Cortex M4
	Slicer	Bambu Studio Support third party slicers which export standard G-code such as Superslicer, Prusaslicer and Cura, but certain advanced features may not be supported.
Wifi	Slicer Supported OS	MacOS, Windows
	Frequency Range	2412 MHz-2472 MHz(CE) 2412 MHz-2462 MHz(FCC) 2400 MHz-2483.5 MHz(SRRC)
	Transmitter Power (EIRP)	≤21.5 dBm(FCC) ≤20 dBm(CE/SRRC)
Bluetooth	Protocol	IEEE802.11 b/g/n
	Frequency Band	2402MHz-2480MHz(CE/FCC) 2400MHz-2483.5MHz(SRRC)
	Transmitter Power (EIRP)	≤20dBm (FCC/CE/SRRC)
	Protocol	BLE5.0

Customer Support

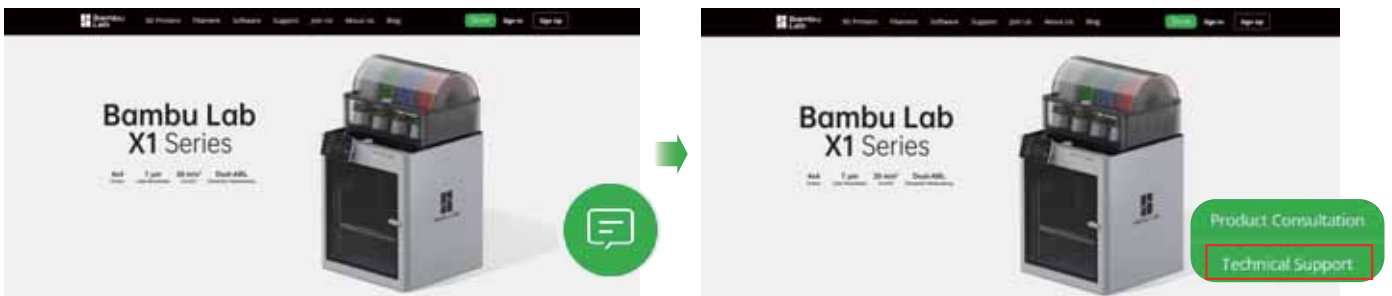
Please visit the Bambu Lab Wiki for more setup and maintenance tutorials.

<https://wiki.bambulab.com/en/home>



If you need support, please try either of the two approaches:

Approach 1: Create a support ticket on the Official Website



Approach 2: Create a support ticket on the Bambu Handy App





Bambu Lab

Enjoy!

www.bambulab.com


折页形式

材质: 80g 哑粉纸

工艺: 模切, 单色专色印刷

■ PANTONE:447 C

正面

 <p>Bambu Lab P1P 3D Printer</p> <h3>Disclaimer and Safety Guidelines</h3>	<h4>Disclaimer and Warning</h4> <p>Thanks for purchasing a Bambu Lab product. The information in this document affects your safety and your legal rights and responsibilities. Read this entire document carefully to ensure proper configuration before use. Failure to read and follow instructions and warnings in this document may result in serious injury to yourself or others, damage to your Bambu Lab product, or damage to other property. This document and other related documents are subject to change without notice. Bambu Lab reserves the right to modify this document and other related documents at any time without notice.</p> <p>By using this product, you hereby signify that you have read this disclaimer and warning carefully and that you understand and agree you are solely responsible for your own conduct while using this product, and for any consequences thereof. You agree to use this product only for purposes that are proper and in accordance with applicable laws and regulations. Bambu Lab has made and may make available, Bambu Lab accepts no liability for damage, or injury or any legal responsibility incurred directly or indirectly from the use of the product. The user shall observe safe and lawful practices including, but not limited to, those set forth in this document.</p> <p>Product names, trademarks, and logos appearing in this manual are trademarks or registered trademarks of their respective owner companies.</p>	<h4>Safety Guidelines</h4> <ol style="list-style-type: none">1. The product must be disconnected from the power supply before carrying out any installation or maintenance.2. Installation and maintenance must be carried out by a skilled worker in compliance with the manufacturer's instructions and local safety regulations.3. Do not use multiple plug adapters or extension leads.4. Do not touch the printer's internal components while the printer is powered on, and do not operate it while barefoot.5. Do not reach inside the appliance while it is in operation.6. The product is not allowed to be used by children. Please place the product out of the reach of children.7. This product is designed safely for indoor use. It should be kept in a dry environment.8. The product should be used in a well-ventilated area. The recommended humidity level is between 10°C to 30°C (50°F-86°F).9. The recommended humidity level is under 85%.10. The product should be positioned on a clean, stable and flat workbench.11. The product should be kept in a well-ventilated location.
	<h4>Before You Start</h4> <p>The following documents have been produced to help you safely operate and make full use of your Bambu Lab P1P 3D Printer: Disclaimer and Safety Guidelines, Bambu Lab P1P 3D Printer Quick Start Guide, and Bambu Lab P1P 3D Printer User Manual. Please read these documents carefully before operating the printer. Check that you have all the included parts. Please review the entire Quick Start Guide before operating the printer. If you have any questions or problems during the installation, maintenance, or use of this product, please contact Bambu Lab or a Bambu Lab authorized dealer.</p>	<h4>Compliance Information</h4> <h5>FCC Compliance Notice</h5> <p>Supplier's Declaration of Conformity Model Number: P1P01-C5 Responsible Party Address: Shenzhen Tioozhu Technology Co., Ltd. (Bambulab USA Inc) Responsible Party Address: 8000 Centre Park Drive, STE 330, Austin, TX, 78754 Website: www.bambulab.com</p>

反面

<p>Ms. Shenzhen Tuozhu Technology Co., Ltd. (Bambulab Usk Inc.), being the responsible party, declares that the above interference model has tested to demonstrate compliance with all applicable FCC rules and regulations.</p> <p>The device complies with Part 15 of the FCC Rules. Operation is subject to the following two conditions: (1) This device may not cause harmful interference, and (2) This device must accept any interference received, including interference that may cause undesired operation. Warning: Changes or modifications not expressly approved by the party responsible for compliance could void the user's authority to operate the equipment.</p> <p>NOTE: This equipment has been tested and found to comply with the limits for a Class B digital device, pursuant to part 15 of the FCC Rules, which limits the radio frequency energy from this device to reduce the potential for interference in a residential installation. This equipment generates, uses and can radiate radio frequency energy and, if not installed and used in accordance with the instructions, may cause harmful interference to radio communications. However, there is no guarantee that interference will not occur in a particular installation. If interference should be experienced, the user is encouraged to try to correct the interference by one or more of the following measures: -Reorient or relocate the receiving antenna. -Increase the separation between the equipment and receiver. -Plug the equipment into a different wall outlet. -Consult the dealer or an experienced radio/TV technician for help.</p>	<p>FCC Radiation Exposure Statement: This equipment complies with FCC radiation exposure limits set forth for an uncontrolled environment. This equipment should be installed and operated with minimum distance 20cm between the radiator & your body.</p> <p>ISED Compliance Notice This device contains license-exempt transmitter(s)/receiver(s) that comply with Innovation, Science and Economic Development Canada's license-exempt (RSS) (S). Operation is subject to the following two conditions: (1) This device may not cause interference. (2) This device must accept any interference, including interference that may cause undesired operation of the device. Cet appareil contient un (s) émetteur (s) / récepteur (s) exempté (s) de licence (s) conforme à l'innovation, à la science et au développement économique Canada exempté (s) RSS (s). L'opération est soumise aux deux conditions suivantes: (1) Cet appareil ne peut pas causer d'interférence. (2) Cet appareil doit accepter toute interférence, y compris les interférences pouvant entraîner un fonctionnement indésirable de l'appareil.</p>	<p>GB Compliance Statement Herby, Shenzhen Tuozhu Technology Co., Ltd. declares that the radio equipment type PTP is in compliance with Radio Equipment Regulations 2017. The full text of the GB declaration of conformity is available at the following internet address: www.bambulab.com/euro-compliance</p>
<p>EU Compliance Statement Herby, Shenzhen Tuozhu Technology Co., Ltd. declares that the radio equipment type PTP is in compliance with the Radio Equipment Directive (RED) 2014/53/EU. The full text of the Declaration of Conformity is available at the following internet address: www.bambulab.com/euro-compliance</p>	<p>FC CE UK CA vRoHS www.bambulab.com Copyright © 2022 Bambu Lab All Rights Reserved.</p>	<p>FC CE UK CA vRoHS www.bambulab.com Copyright © 2022 Bambu Lab All Rights Reserved.</p>