

PYLE[®]
PyleUSA.com

Questions? Comments?

We are here to help!

Phone: (1) 718-535-1800

Email: support@pyleusa.com

PYLE[®]
PyleUSA.com



PW12SUBA - PW15SUBA - PW18SUBA
Active Powered Subwoofer Box System
with Professional Design

USER GUIDE

PLEASE READ THIS MANUAL CAREFULLY BEFORE OPERATION

PW12SUBA

12" 1800W Active Powered Subwoofer Box System with Professional Design

Features:

- DSP Digital Signal Processor
- Power-On and Signal Input LED Indicators
- Signal Input LED Indicator
- Clip Limiter Circuitry with LED Indicator
- Balanced XLR + TRS Input Jacks
- Balanced XLR Thru Output Jacks for Parallel Connections
- Passive Heat Sink with Fan for Cooling
- Subwoofer Crossover 80Hz/100Hz/120Hz/150Hz/200Hz Low Pass
- Subwoofer Level Adjustment
- Subwoofer Phase Control
- Built-in Pole Mount Socket
- Built-in Carrying Handles
- Custom Metal Grill

What's in the Box:

- Wooden Subwoofer
- Power Cable

Technical Specs:

- Construction Materials: Wooden Painted Enclosure with MDF Board
- Power Supply: 450 Watts RMS / 900 Watts Program / 1800 Watts Peak Power
- Woofer: 12"
- Magnet: 70oz
- Voice Coil: 3"
- Frequency Response: (+/-3dB) 48Hz - 200Hz
- Maximum SPL: 127dB Peak / 124dB Continuous
- Product Dimensions: 13.78" x 20.87" x 20.47" -inches



PW15SUBA

15" 2400W Active Powered Subwoofer Box System with Professional Design

Features:

- DSP Digital Signal Processor
- Power-On and Signal Input LED Indicators
- Signal Input LED Indicator
- Clip Limiter Circuitry with LED Indicator
- Balanced XLR + TRS Input Jacks
- Balanced XLR Thru Output Jacks for Parallel Connections
- Passive Heat Sink with Fan for Cooling
- Subwoofer Crossover 80Hz/100Hz/120Hz/150Hz/200Hz Low Pass
- Subwoofer Level Adjustment
- Subwoofer Phase Control
- Built-in Pole Mount Socket
- Built-in Carrying Handles
- Custom Metal Grill

What's in the Box:

- Wooden Subwoofer
- Power Cable

Technical Specs:

- Construction Materials: Wooden Painted Enclosure with MDF Board
- Power Supply: 600 Watts RMS / 1200 Watts Program / 2400 Watts Peak Power
- Woofer: 15"
- Magnet: 126oz
- Voice Coil: 4"
- Frequency Response: (+/-3dB) 45Hz - 200Hz
- Maximum SPL: 128dB Peak / 125dB Continuous
- Product Dimensions: 23.23" x 19.69" x 21.65" -inches



PW18SUBA

18" 3200W Active Powered Subwoofer Box System with Professional Design

Features:

- DSP Digital Signal Processor
- Power-On and Signal Input LED Indicators
- Signal Input LED Indicator
- Clip Limiter Circuitry with LED Indicator
- Balanced XLR + TRS Input Jacks
- Balanced XLR Thru Output Jacks for Parallel Connections
- Passive Heat Sink with Fan for Cooling
- Subwoofer Crossover 80Hz/100Hz/120Hz/150Hz/200Hz Low Pass
- Subwoofer Level Adjustment
- Subwoofer Phase Control
- Built-in Pole Mount Socket
- Built-in Carrying Handles
- Custom Metal Grill



What's in the Box:

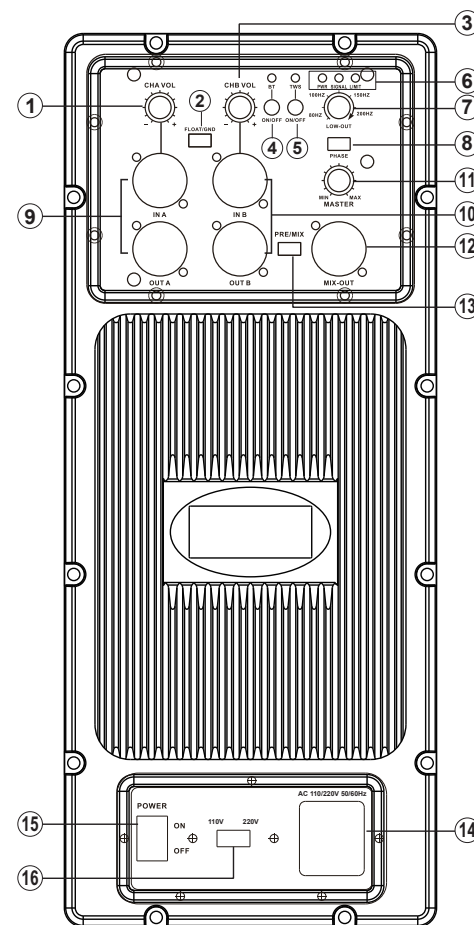
- Wooden Subwoofer
- Power Cable

Technical Specs:

- Construction Materials: Wooden Painted Enclosure with MDF Board
- Power Supply: 800 Watts RMS / 1600 Watts Program / 3200 Watts Peak Power
- Woofer: 18"
- Magnet: 126oz
- Voice Coil: 4"
- Frequency Response: (+/-3dB) 40Hz - 200Hz
- Maximum SPL: 131dB Peak / 128dB Continuous
- Product Dimensions: 20.87" x 25.98" x 24.21" -inches

Control Panel Layout

PW12SUBA PW15SUBA PW18SUBA



1. Channel A volume control
2. Ground and float switches
3. Channel B volume control
4. When the Bluetooth is turned on, the light flashes and lights up after connecting
5. When the TWS is turned on, the light flashes and lights up after connecting
6. Power LED indicator
Signal LED indicator
Limit LED indicator
7. **Low out** for 80Hz/100Hz/150Hz/200Hz
8. Phase switching switch
9. A-channel balanced input
A-channel balanced output
10. B-channel balanced input
B-channel balanced output
11. Master Volume Control
12. XLR balanced output
13. PRE-output and mixed output (The pre-output is the main frequency, and the mixed output is the low frequency 120Hz excision)
14. Fused LEC mains inlet
15. Power Switch (ON/OFF)
16. 110V/220V switch

FCC Warning

15.19 Labeling requirements.

This device complies with part 15 of the FCC Rules. Operation is subject to the following two conditions: (1) This device may not cause harmful interference, and (2) this device must accept any interference received, including interference that may cause undesired operation.

15.21 Information to user.

Any Changes or modifications not expressly approved by the party responsible for compliance could void the user's authority to operate the equipment.

15.105 Information to the user.

Note: This equipment has been tested and found to comply with the limits for a Class B digital device, pursuant to part 15 of the FCC Rules. These limits are designed to provide reasonable protection against harmful interference in a residential installation. This equipment generates uses and can radiate radio frequency energy and, if not installed and used in accordance with the instructions, may cause harmful interference to radio communications. However, there is no guarantee that interference will not occur in a particular installation. If this equipment does cause harmful interference to radio or television reception, which can be determined by turning the equipment off and on, the user is encouraged to try to correct the interference by one or more of the following measures:

- Reorient or relocate the receiving antenna.
- Increase the separation between the equipment and receiver.
- Connect the equipment into an outlet on a circuit different from that to which the receiver is connected.
- Consult the dealer or an experienced radio/TV technician for help.

FCC RF Radiation Exposure Statement:

- 1.This Transmitter must not be co-located or operating in conjunction with any other antenna or transmitter.
 - 2.This equipment complies with RF radiation exposure limits set forth for an uncontrolled environment.
- This equipment should be installed and operated with minimum distance 20cm between the radiator and your body.