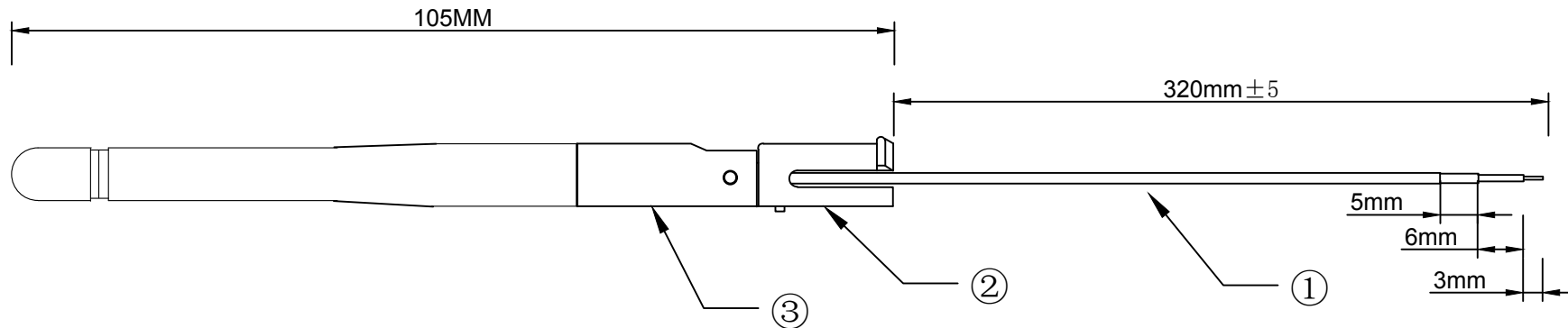
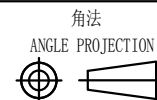


ROHS Compliant



| | |
|---------------------------|-----------------|
| 工作频段 (Frequency Range) | 2400MHZ-2500MHZ |
| 增益 (Gain) | -0.58DBi |
| 电压驻波比 (VSWR) | 对比波形 |
| 极化方式 (Polarization) | 垂直 |
| 特性阻抗 (Impedance) | 50 OHM |

| NO | Code | Name | Description | Q'ty | Part NO |
|----|------|------|-------------|------|---------|
| 4 | | 胶壳 | 黑色胶套 | 1 | |
| 3 | | 下固 | ABS-黑色-露线 | 1 | |
| 2 | | 上固 | 黑色 | 1 | |
| 1 | | 线材 | 1.13黑色线 | 1 | |



公差
GENERAL TOLERANEC

| | |
|-----------|--------|
| 100~200 : | ± 3.00 |
| 50~100 : | ± 2.00 |
| 25~50 : | ± 0.20 |
| 10~25 : | ± 0.15 |
| 1~10 : | ± 0.1 |

产品名称 (PRODUCT NAME)

2.4GOutgoing rubber antenna L=320MM

| | | | | |
|-----------|-----------|--------|-------------|-----|
| 产品料号 | 单位 (UNIT) | M M | 比例 (SIZE) | 1:3 |
| 0100-2355 | 页数 (PAGE) | 1 OF 1 | 帽面 (FORNMT) | A4 |
| 业务 | 仓库 | | | |
| PMC | 生产 | | | |
| 采购 | 品质 | | | |

Horizontal: 2400 MHz 2450 MHz 2500 MHz

Power (dBm)

Max: 0 Min: -40 Scale: 5/div



| Frequency (MHz) | Gain(dB) | | |
|--------------------|-----------|----------|----------|
| | Max | Min | Avg |
| 2400 | -1.26174 | -30.0801 | -7.18716 |
| 2450 | -0.765802 | -36.5604 | -7.48023 |
| 2500 | -0.585582 | -22.0315 | -6.59127 |

Vertical: 2400 MHz 2450 MHz 2500 MHz

Power (dBm)

Max: 0 Min: -30 Scale: 5/div



| Frequency (MHz) | Gain(dB) | | |
|--------------------|----------|----------|----------|
| | Max | Min | Avg |
| 2400 | -5.2537 | -22.1424 | -12.4294 |
| 2450 | -2.4652 | -24.5837 | -10.4702 |
| 2500 | -1.86120 | -29.5214 | -9.20432 |

ANT Test Labs: Attestation of Global Compliance Co., Ltd.