

PARAMETER

AMPLIFIER

Power supply: AC200V/50Hz AC110V/60Hz
including a built-in 12V7AH rechargeable battery

Frequency response: 35Hz-20KHz

SPL: 94dB (1W/M)

T.H.D: <1%

Input wired mic: -58dBV 600

Speaker: 8" full range driver

RMS Power: 100W

Input jack: 2 × 1/4 " wired mic jack, 1 × 1/4 " GUITAR IN jack
1 × Audio input jack

RECEIVER

Carrier frequency range: 170-216 MHz

RF sensitivity: ≤ -101 dB

Image rejection: ≥ 60 dB

Operation range: 100ft

TRANSMITTER

Carrier frequency range: 170-216 MHz

RF power output: ≤ 10 mW

Modulation level: 15K

Operation temperature: -18°C-60°C

Power supply: 3V

Unit Battery Life: Approx.3 Hours

Mic Battery Life: Approx.45 Hours

PYLE®

PWMA230BT OPERATING INSTRUCTIONS

**Wireless Portable BT PA Speaker System,
Built-in Rechargeable Battery, Wireless Microphone, 400 Watt**



User's manual

GENERAL DESCRIPTIONS

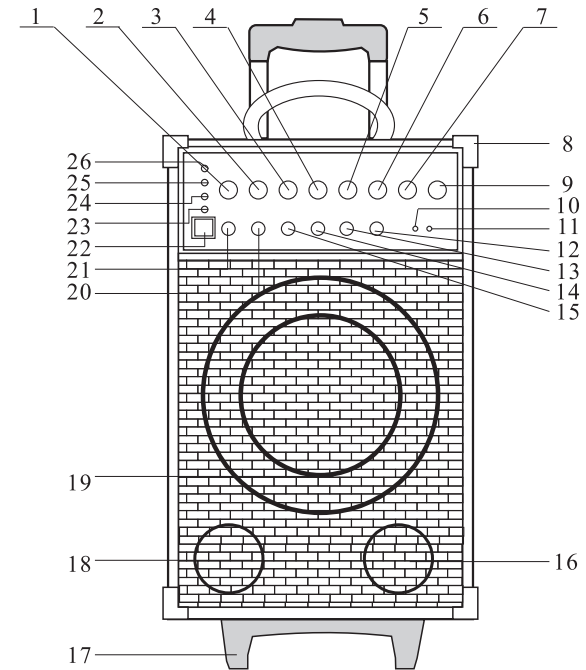
- 1.It is consist of one set of of wireless and two wired microphone input circuits, both of them has separated volume control.
- 2.The standard accessories are VHF high band wireless transmitter and receiver.
- 3.It is equipped with built-in 4.5AH/12V rechargeable battery which can be charge 6 hours continuously, also DC power can be used directly.
- 4.One guitar input function and one audio input unit both are supplied.
- 5.Treble and bass control are supplied.
- 6.Echo control is supplied.
- 7.With voltage selector switch for selecting a suitable one according to different countries.
- 8.8 " full range driver

REMARKS

1. Correct power must be used, don't use any other power except the specified one.
2. Don't drag the power cable when pull out the plugs, just hold the plug to pull it out from socket.
3. Don't open chassis: it is very dangerous either open the chassis or put your hand inside the chassis, don't do it. If the device is not under normal working, pull out the plug at once and contact your retailer or nearest distributor.
4. Don't take volatile solvent such as toluene, alcohol, gasoline to clean the surface.
5. Please don't put it in a unventilated environment or at direct sunlight in summer.
6. Avoid moisture or rain

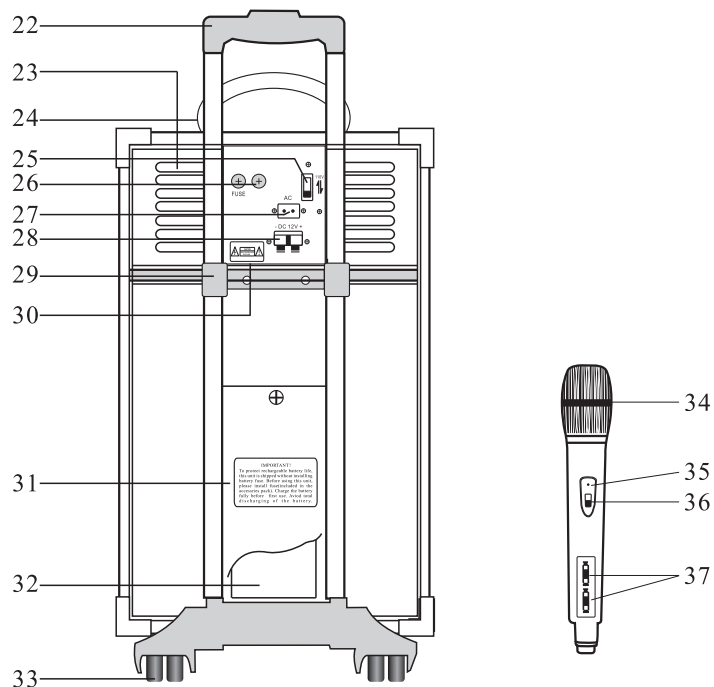
SYSTEM FUNCTION FIGURE

- | | |
|-------------------------------------|-----------------------------------|
| 1. Wireless Mic/MIC1 Volume Control | 14. Audio Input Jack |
| 2. MIC2 Volume Control | 15. Guitar Input Jack |
| 3. Guitar Volume Control | 16. Vent Hole |
| 4. Audio Volume Control | 17. Fixed Stand For The Unit |
| 5. Ipod/MP3 Volume Control | 18. Vent Hole |
| 6. Echo Control | 19. Woofer Speaker |
| 7. Treble Control | 20. MIC2 Input Jack |
| 8. Bass Control | 21. MIC1 Input Jack |
| 9. Metal Corner | 22. Power Switch |
| 10. BT on/off switch | 23. Power Indicator |
| 11. BT indicator light | 24. Low Voltage Indicator |
| 12. Audio Output Jack | 25. Charge Indicator |
| 13. Ipod/MP3 Input Jack | 26. RF Indicator For Wireless Mic |



SYSTEM FUNCTION FIGURE

19.Low Voltage Indicator	28.External DC Input Jack
20.Charge Indicator	29.Fixed Stand For The Trailer
21.RF Indicator For Wireless Mic	30.Rechargeable Battery Cover
22.Trailer Handle	31.Warning
23.Heating Pane	32. 4.5AH/12V Rechargeable Battery
24.Handle	33.Truckle Of Trailer
25.Voltage Selector Switch	34.Mic Head
26.AC Fuse/Battery Fuse	35.RF Indicator Of Handheld Mic
27.2PIN Power Socket	36.Power Switch Of Handheld Mic
	37.Battery Housing Of Handheld Mic



INSTRUCTIONS

1. Confirm the power

- ① AC Power: Before operation, please confirm the voltage is same as the specified one marked on the label. If not, the unit will be damaged.
- ② Built-in Rechargeable Battery: You needn't plug-in the AC power when the voltage for rechargeable battery is enough but use the battery directly.
- ③ When the Low Voltage Indicator comes yellow, it indicates the battery voltage is not enough, please charge it in time.
- ④ When the Low Voltage Indicator comes out, it indicates the voltage is standard now.
- ⑤ If the unit is not used for a long time, please charge the rechargeable battery every 2 months, 8-10 hours for each time.

2. Operation Instructions:

- ① Plug the power cable into the socket and connect it with this amplifier system.
- ② Switch on the amplifier, the Power Indicator comes red.
- ③ During charging, RECHARGE indicator comes red, when the indicator flashing, that means battery is almost full while it is ready all indicators will off.
- ④ During charging, you can play music at the same time, then RECHARGE indicator will flashing with the current consumption indicating the speed of charge. Charge time is in direct proportion to the volume of music. When the battery is full, RECHARGE indicator will stop flashing and then off.
- ⑤ Put two AA 1.5V battery into handheld microphone (bodypack transmitter), push the Power Switch to middle, the Power Indicator will flash once, RF Indicator comes on green, the speakers are quiet.

INSTRUCTIONS

- ⑥ Push the Power Switch of handheld microphone (bodypack transmitter) to ON position, your sound can be heard from amplifier when speaking. Adjust the Volume Control/Echo Control/Treble Control/Bass Control to proper position to avoid feedback.
- ⑦ If the Power Indicator of microphone (bodypack transmitter) comes on at all times, it indicates the battery lack of power, please replace the battery.
- ⑧ Connect relative cable of guitar with Guitar Input Jack on this system, you can play wonderful music.

3. Wired Microphone:

- ① Two way wired microphone input jacks are supplied for two people us simultaneously.
 - ② Plug Wired microphones into the jacks separately.
 - ③ Adjust Echo Control to get better sound.
 - ④ Adjust the volume of each microphone to make sure the sound is satisfactory.
- ⑤ When you turn on the unit, be sure ECHO control set to minimality, or there will cause sound distortion

INSTRUCTIONS

4. BT playback

You can connect your BT phone or other device to the PA speaker.

1. Turn on the unit.
2. Press the ON/OFF switch on front panel, BT will on.
3. When the indicator light is on it means the BT in ON.
4. Use your BT phone or other device to search for the PA speaker. It will displayed as PYLE SPEAKER.
5. Connect your devices with PYLE SPEAKER, it will pair with unit automatically.
6. You do not need code and get connected with unit.
7. Play music on your phone or device, sound will come from the speaker through the BT wireless connection.
8. You can use the VOLUME/BASS/TREBLE to adjust the sound level for BT, also you can adjust the BT music sound through your own phone or other device.

NOTES: If there is no sound through the PA speaker during BT, Check the volume controller both on the unit and on your phone or other device.

PYLE®

pyleaudio.com

718.535.1800 718.236.2400(fax)
1600 63rd Street, Brooklyn NY 11204

FCC Statement

This equipment has been tested and found to comply with the limits for a Class B digital device, pursuant to part 15 of the FCC Rules. These limits are designed to provide reasonable protection against harmful interference in a residential installation. This equipment generates, uses and can radiate radio frequency energy and, if not installed and used in accordance with the instructions, may cause harmful interference to radio communications. However, there is no guarantee that interference will not occur in a particular installation. If this equipment does cause harmful interference to radio or television reception, which can be determined by turning the equipment off and on, the user is encouraged to try to correct the interference by one or more of the following measures:

- Reorient or relocate the receiving antenna.
- Increase the separation between the equipment and receiver.
- Connect the equipment into an outlet on a circuit different from that to which the receiver is connected.
- Consult the dealer or an experienced radio/TV technician for help.

Caution: Any changes or modifications to this device not explicitly approved by manufacturer could void your authority to operate this equipment.

This device complies with part 15 of the FCC Rules. Operation is subject to the following two conditions: (1) This device may not cause harmful interference, and (2) this device must accept any interference received, including interference that may cause undesired operation.

RF Exposure Information

The device has been evaluated to meet general RF exposure requirement. The device can be used in portable exposure condition without restriction.