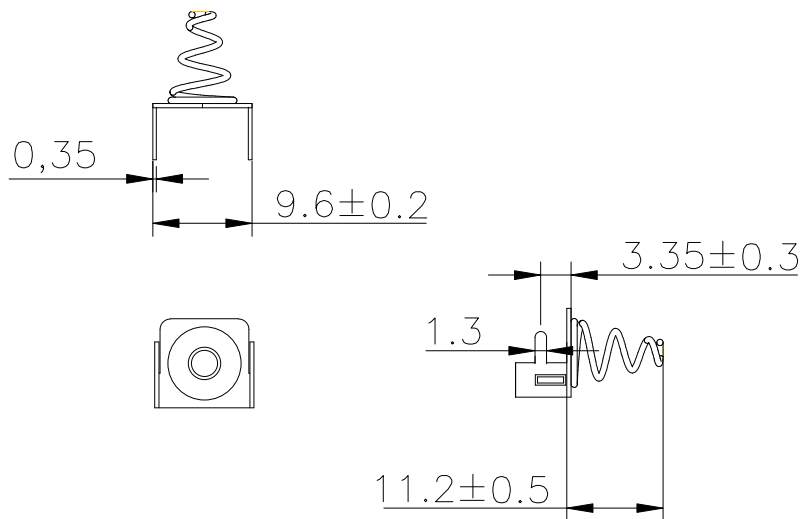


Material specifications

Manufacturer: Leqing Buliyin Electric Co., Ltd

Address: 2888 Ningkang East Road, Tiancheng Industrial Park, Butiancheng Street, Leqing, Jiang Province

SIZE:(mm)



Material: Spring steel

Spring diameter: 0.6mm

Surface treatment: degree nickel

Length: 11.2mm

picture

